

MODELS:

SR42UBWD / SR42UBWDSP1* / SR42UBWDEXP

SmartRack® Premium Rack Enclosure



42 Rack Units



3000 lb.
Stationary
Load Capacity



2250 lb.
Rolling
Load Capacity



Heavy-Duty
Casters



Locking Doors &
Side Panels



Standard
19-inch
Rack Width



Toolless
Mounting Slots



Adjustable
Rails with
Easy-View
Depth Index



Airflow Meets
or Exceeds
Server OEM
Requirements



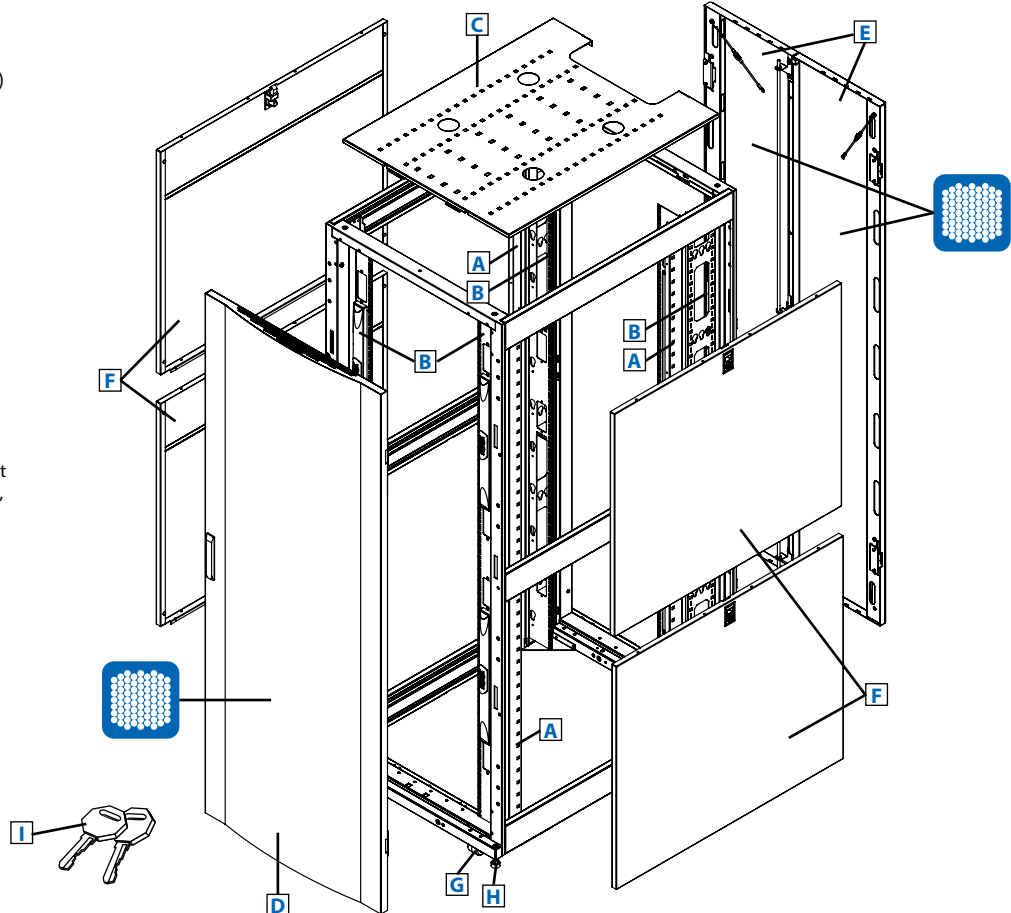
Integrated
Baying Tabs



Square Hole
Mounting

- A** Adjustable Mounting Rails (4)
- B** Adjustable PDU Mounting Rails with Toolless Mounting Slots (4)
- C** Roof Panel (Removable)
- D** Front Door (Lockable/Removable/Reversible)
- E** Split Rear Doors (Lockable/Removable)
- F** Side Panels (4) (Lockable/Removable; not included with SR42UBWDEXP)
- G** Heavy-Duty Casters (4)
- H** Heavy-Duty Levelers (4)
- I** Keys (For doors and side panels.)

Also Includes: Owner's manual, 2 shipping/stabilizing brackets and rackmount equipment mounting hardware (50 cage nuts, 50 mounting screws, 50 nylon cup washers).



Specifications

Model	SR42UBWD
Rack Spaces	42U
Stationary Load Capacity	3000 lb. / 1363 kg
Rolling Load Capacity	2250 lb. / 1022 kg
Unit Dimensions (H x W x D)	78.5 x 29.53 x 43 in. / 1994 x 750 x 1092 mm
Shipping Dimensions (H x W x D)	83.5 x 33.65 x 47 in. / 2146 x 854 x 1194 mm
Unit Weight	340 lb. / 154 kg
Shipping Weight	365 lb. / 165.6 kg
Standards	TIA/EIA-310-E, RoHS
Model	SR42UBWDEXP (Identical to SR42UBWD without side panels.)
Unit Weight	262 lb. / 118.8 kg
Shipping Weight	287 lb. / 130.1 kg



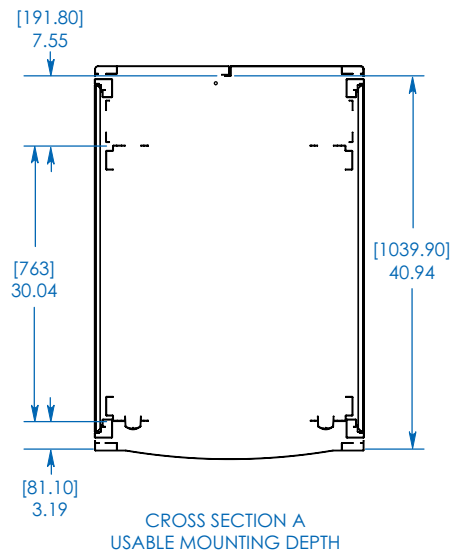
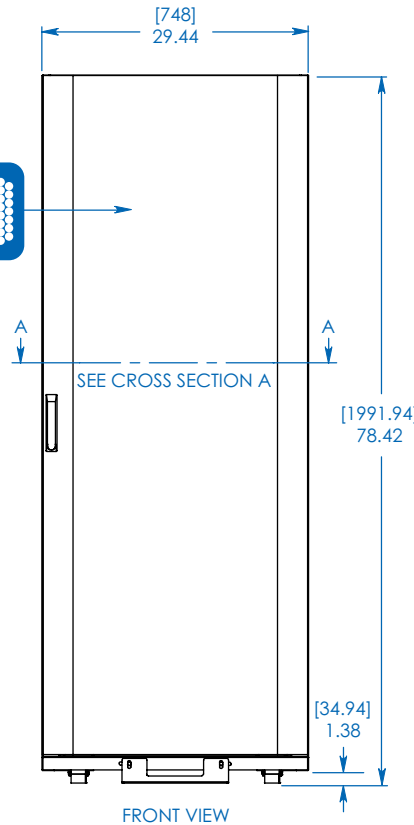
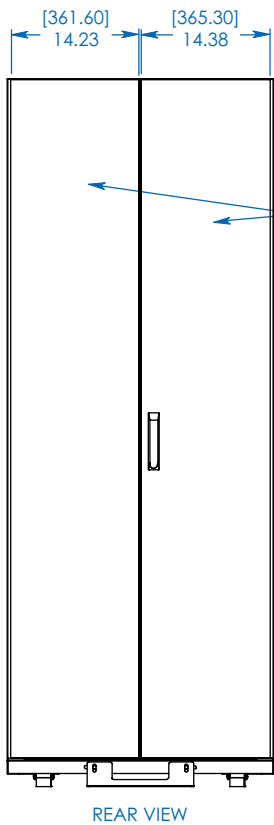
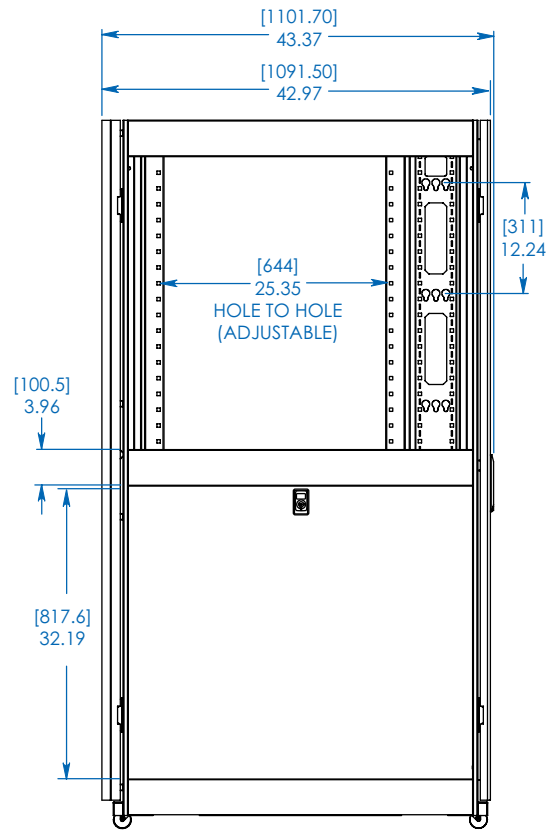
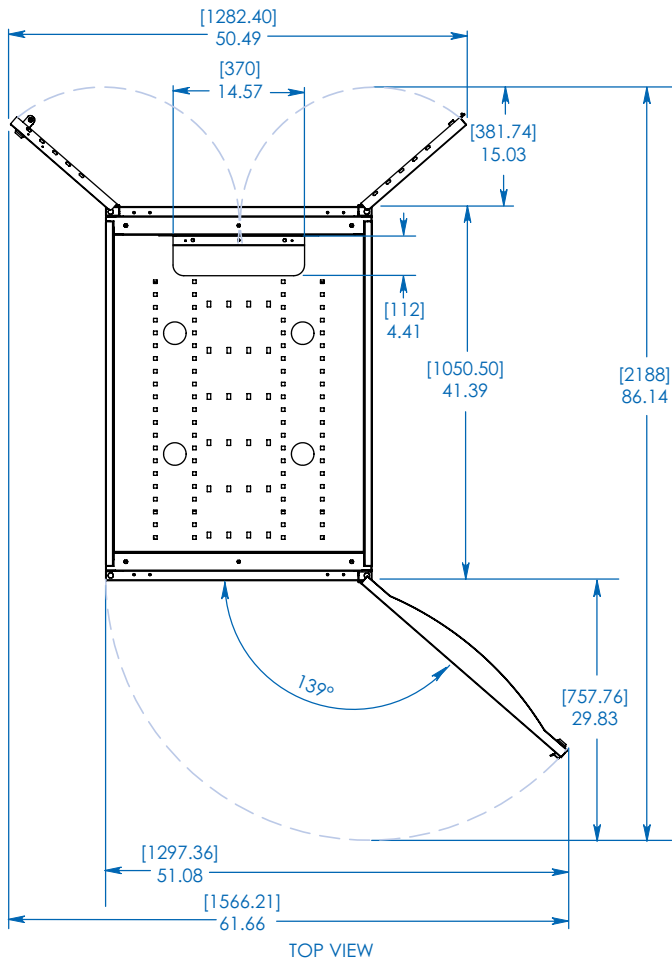
- Enclosures ship fully assembled for rapid deployment, but can be knocked down for easy reassembly in confined spaces
- Extra cable management space for high-density server/network applications
- Modular design optimized for quick configuration and reconfiguration
- Ideal for rack-mount server, network and telecom applications

SEE NEXT PAGE FOR DETAILED UNIT MEASUREMENTS



1111 W. 35th Street
Chicago, IL 60609 USA
773.869.1234
www.tripplite.com

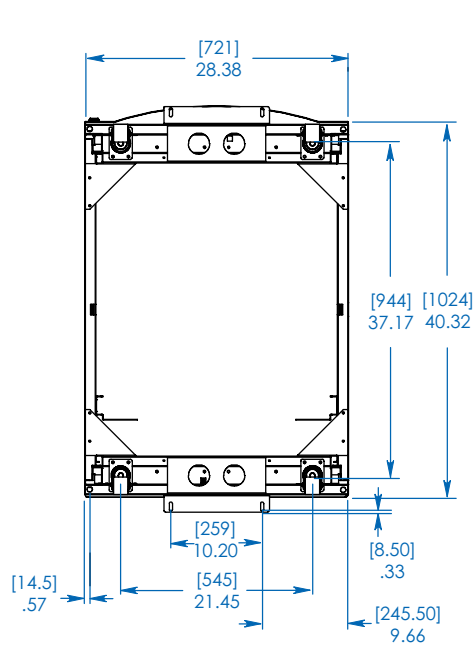
* Shock pallet models with special packaging facilitate equipment pre-installation and reshipment to final site. Heavy-duty shock pallet holds up to 1250 lb. (568 kg), including the weight of the enclosure and pre-installed equipment. Add "SP1" to model numbers above to order shock pallet models.



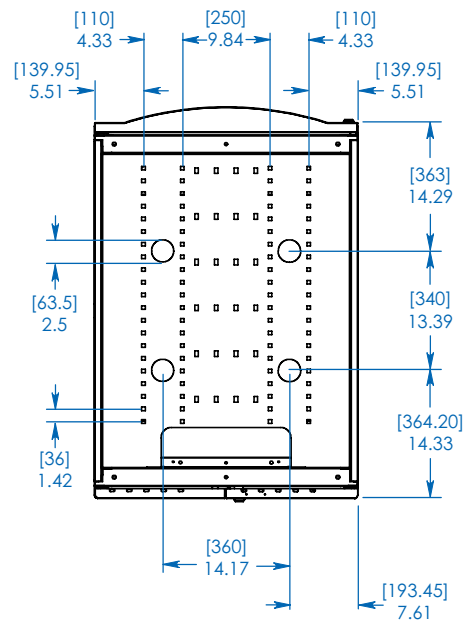
MODELS:
SR42UBWD
SR42UBWDSP1
SR42UBWDEXP

Dimensions: [mm] INCHES

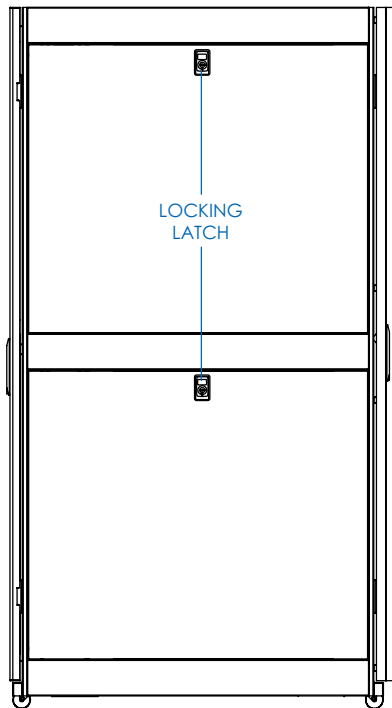
Tripp Lite has a policy of continuous improvement. Specifications are subject to change without notice.



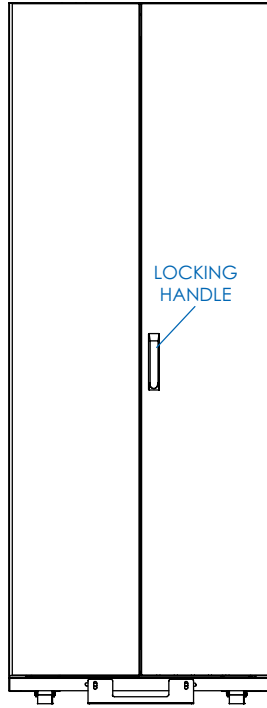
BOTTOM VIEW



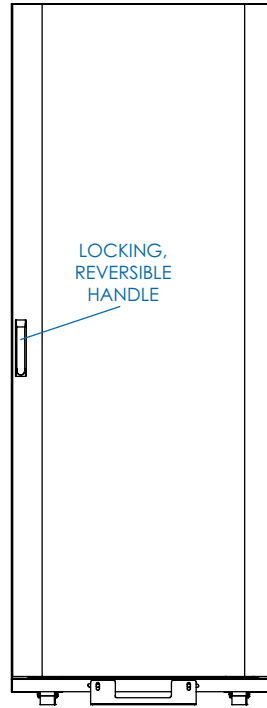
TOP VIEW



SIDE VIEW



REAR VIEW



FRONT VIEW

MODELS:
SR42UBWD
SR42UBWDSP1
SR42UBWDEXP



1111 W. 35th Street
 Chicago, IL 60609 USA
 773.869.1234
 www.tripplite.com

Dimensions: [mm] INCHES

Tripp Lite has a policy of continuous improvement. Specifications are subject to change without notice.