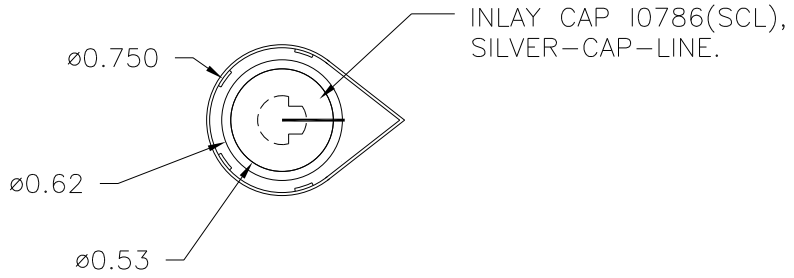
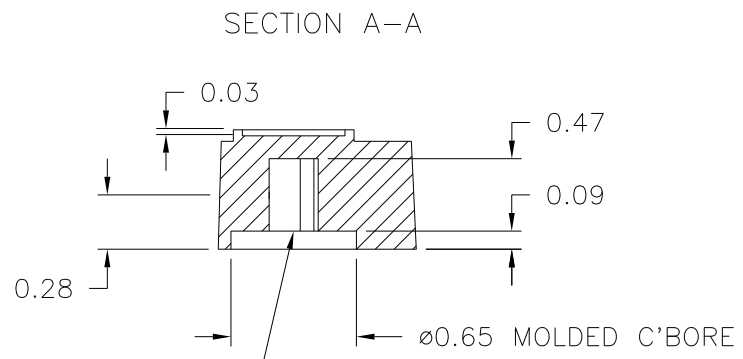
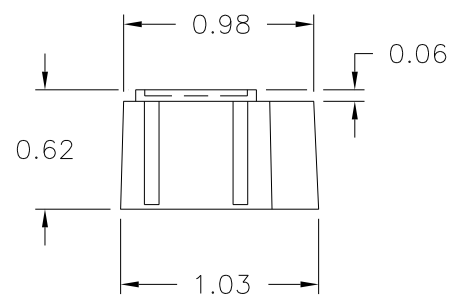


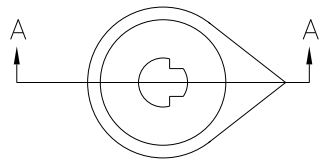
P/N 1210BE	
BASE PART	1210-05
SPRING	I0476
INLAY	I0786(SCL)



(A)



SPRING I0476 TO ACCOMMODATE ø0.250 FLATTED TO 0.156



MATERIAL: G.P. PHENOLIC (B11)
COLOR: BLACK

TOLERANCES: UNLESS OTHERWISE SPECIFIED	DO NOT SCALE DRAWING			
DECIMALS: X.XXX ± .005 X.XX ± .015	MM: X.XX ± 0.15MM X.X ± 0.4MM	A	REMOVED "MOLDED HOLE DETAIL" VIEW, DRAWN INCORRECTLY	JAM 1/29/04
		-	UPDATED/HAD TOOLBOX	ST 4/17/2000
FRACTIONS ± 1/64	ANG. ± 1°	CHANGES		