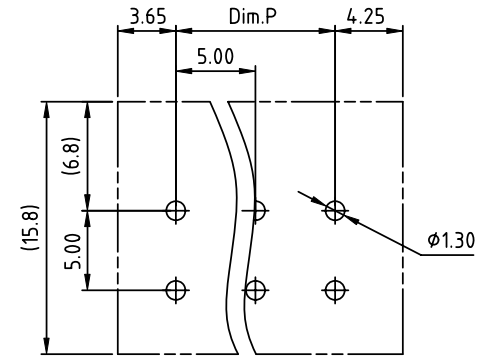
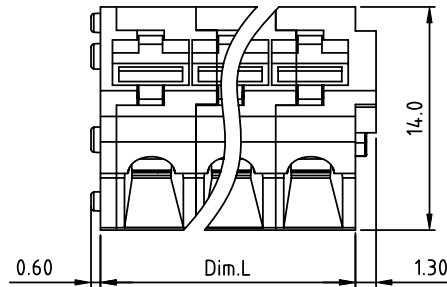
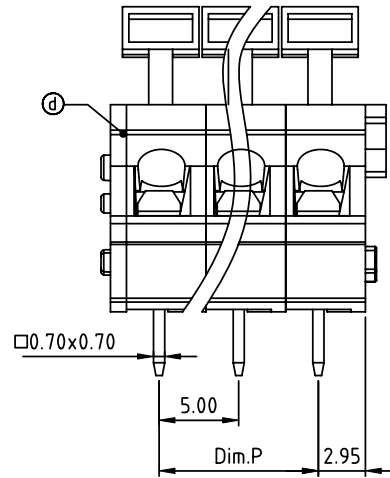
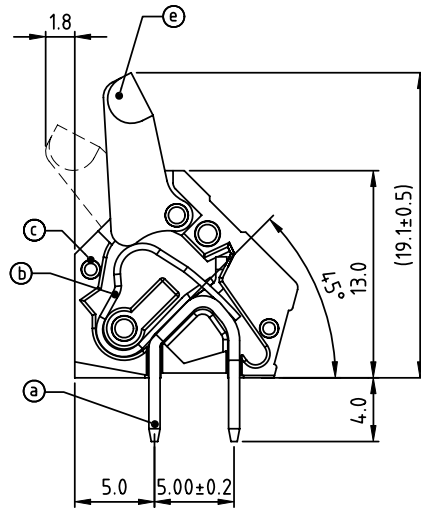


PRODUCT NUMBER	PITCH
HTxx00x000JOG	5.00mm



RECOMMENDED P.C.B LAYOUT
TOP VIEW



Material:

- Item (a) Solder pin: Brass, Tin plated
- Item (b) Spring clamp: Stainless steel
- Item (c) Terminal housing: Thermoplastic (UL94V-0)
- Item (d) Terminal cover: Thermoplastic (UL94V-0)
- Item (e) Terminal lever: Thermoplastic (UL94V-HB)

Electrical

- Voltage rating: 300V
- Current rating: 15A
- Wire range:
- Solid wire(AWG): 12-28
- Stranded wire(AWG): 12-28
- Wire strip length: 6-7mm
- Withstanding Voltage: 1.6KV
- Operating temperature: -40°C to +115°C
- Soldering temperature: 260°C±5°C/5 Sec
- Safety Approval:

cULus

Dimension

$Dim.P = (N-1) \times 5.0$

$Dim.L = N \times 5.0 + 1.0$

N=Number of poles

POLES	Dim.L	Dim.P
1p	±0.10	
2p-6p	±0.20	±0.15
7p-12p	±0.25	±0.20
12p-18p	±0.30	±0.25
19p-24p	±0.40	±0.35

PART NO.: HT xx 00 x 000JOG

No. of poles	Body Color	RoHS compliant
0	Black (RAL9005)	(lead<4%)
End Stackable	2 Red (RAL3001/D)	In copper Alloy
01	1 poles 3 Orange(RAL2011/P)	
02	2 poles 4 Yellow(RAL1018/A)	
...	5 Green(RAL6018/T)	
24	24 poles 6 Blue (RAL5015/A)	
	8 Grey(RAL7004/P)	
	9 White(RAL1102)	
	C Multiple colors	

mat'l. code		surface ASME Y14.5	tolerance ASME Y14.5	projection	product family TERMINAL BLOCK
ltr	ecn no	dr	date		title TERMINAL BLOCK SPRING CLAMP, 4SD WIRE INLET
tolerances unless otherwise specified				MM	scale
angles		X.±0.5		dwg no	
X*±1°		X.X±0.3		sheet 1 of 1	
dr		052814		size	
enr		052814		A4	
chr		052814		type	
appd		052814		CUSTOMER Drawing	
sheet index	revision	A			
	sheet	1			