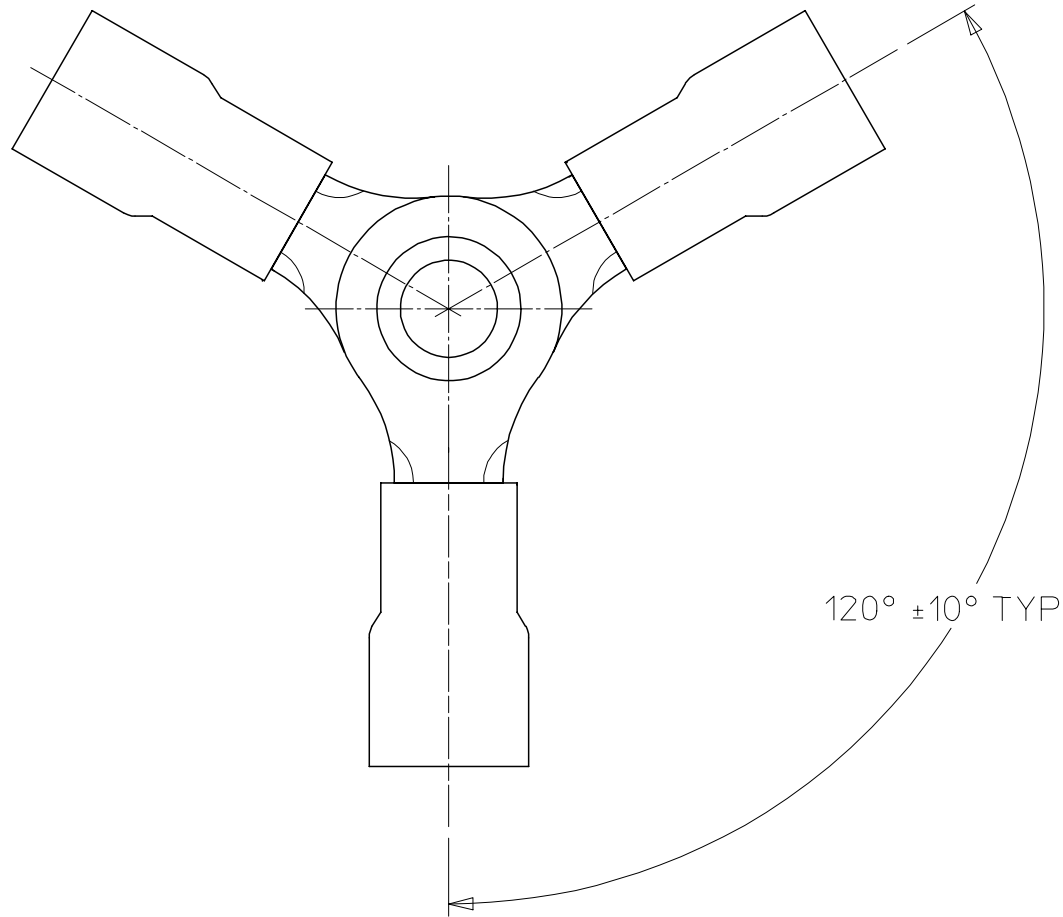


19204

ASSEMBLY NUMBER

MATERIAL NUMBER	ENGINEERING NUMBER
192040002	A-1YC
192040004	A-2YCX
192040005	A-3YC
192040009	A-5YC
192040010	A-8YC
192040012	B-1YC
192040014	B-2YCX
192040016	B-3YC
192040018	B-5YC
192040022	B-8YC
192040024	C-1YC
192040026	C-2YCX
192040028	C-3YC
192040030	C-5YC
192040031	C-8YC
191640011	SA-2YCX
191640042	SB-2YCX
191640074	SC-2YCX



SALES DRAWING

WAS 65252-01C/-02C EC NO: ETC2003-0305 DRWN: DMYRICK 2003/05/16 CHK'D: RWD 2003/05/16 APPR: RDEROSS 2003/05/16	QUALITY SYMBOLS	GENERAL TOLERANCES (UNLESS SPECIFIED)		SCALE NTS	DESIGN UNITS INCH	THIRD ANGLE PROJECTION	REVISE ON CAD ONLY		
	 ANGULAR ±1/2°	4 PLACES ± --- INCH 3 PLACES ± --- INCH 2 PLACES ± 0.13 INCH 1 PLACE ± 0.25 INCH	mm INCH	DIMENSION STYLE IN/MM		TITLE 3-WAY CONNECTOR ASSEMBLY			
	DRAFT WHERE APPLICABLE MUST REMAIN WITHIN DIMENSIONS	DRAWN BY: RWD CHECKED BY: RWD APPROVED BY: RWD	DATE: 03/05/14 DATE: 03/05/14 DATE: 03/05/14	MOLEX INCORPORATED (SEE CHART)		MATERIAL NO. SD-19204-001 DOCUMENT NO.	SHEET NO. 1 OF 1		
	THIS DRAWING CONTAINS INFORMATION THAT IS PROPRIETARY TO MOLEX INCORPORATED AND SHOULD NOT BE USED WITHOUT WRITTEN PERMISSION						A		