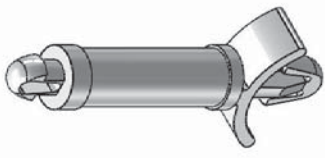
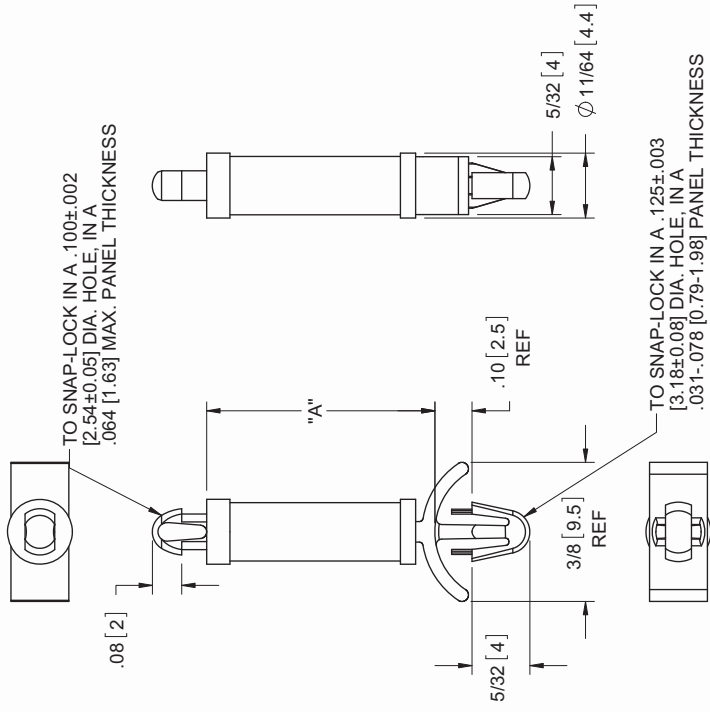


MATERIAL: NYLON 6/6 UL 94 V-2 (RMS-01) COLOR: NATURAL PART NO.	DIM. "A"±.015 [0.4]
DLCBSAT-2-01	1/8 [3.2]
DLCBSAT-3-01	3/16 [4.8]
DLCBSAT-4-01	1/4 [6.4]
DLCBSAT-5-01	5/16 [7.9]
DLCBSAT-6-01	3/8 [9.5]
DLCBSAT-7-01	7/16 [11.1]
DLCBSAT-8-01	1/2 [12.7]
DLCBSAT-9-01	9/16 [14.3]
DLCBSAT-10-01	5/8 [15.9]



- NOTES:
 1. MATERIAL: NYLON 6/6 UL 94 V-0 (RMS-19), AVAILABLE BY SPECIAL ORDER ONLY.
 2. COLOR: NATURAL.
 3. ALTERNATE UNITS FOR REFERENCE ONLY.

TITLE: DUAL LOCKING CBS, ARROWHEAD/TEARDROP

REV.	DESCRIPTION	ENGR.	DATE
F	SEE CO 200628 FOR CHANGES	SK	02/17/11
E	REDRAWN, SEE ECN #1208 FOR CHANGES	SK	11/29/06
-	SEE ENGINEERING FOR REVISIONS A-D	---	----
FILE #:	DLCBSAT	DWN: SK	APP: RT
SHEET: 1 OF 1	SHEET SIZE: A	DT: 11/27/06	CHKD: SJ
RE:	RICHCO, INC.	RICHCO, INC. ENG@RICHCO-INC.COM (773) 538-4060	
CREATED USING 10 SERVICES UNLESS NOTED XX±.010 XXX±.005 FRAC=±1/64 ANG=±1°			
DWG IN IN [MM]	FINAL	PART #	SEE TABLE
PRINT TYPE			CA

