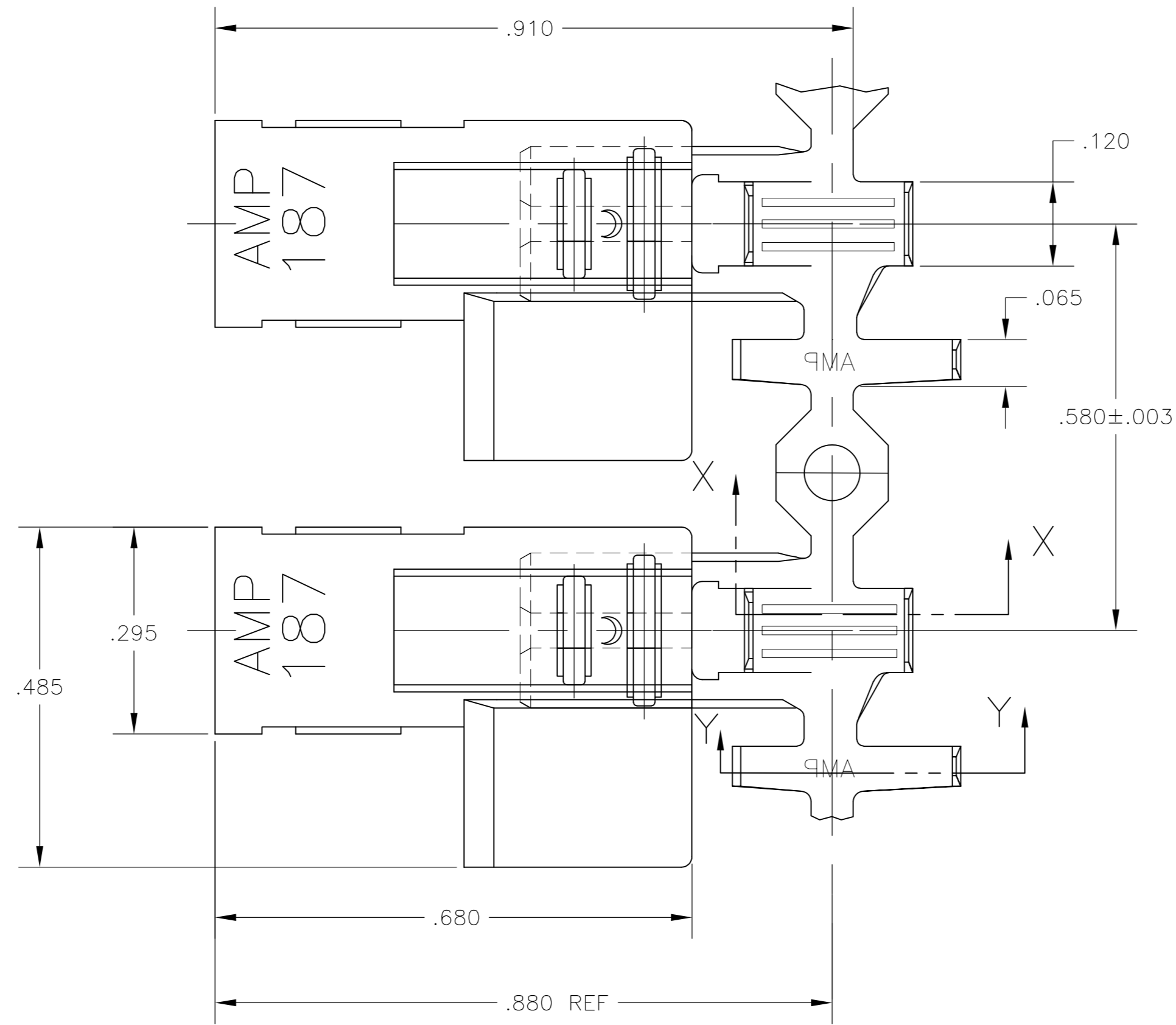
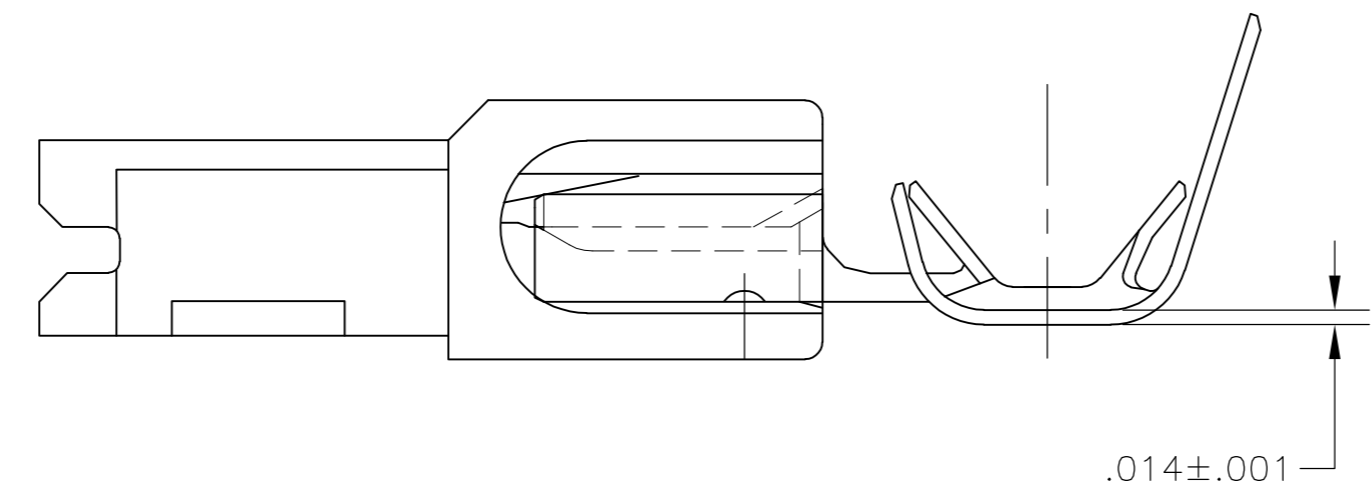
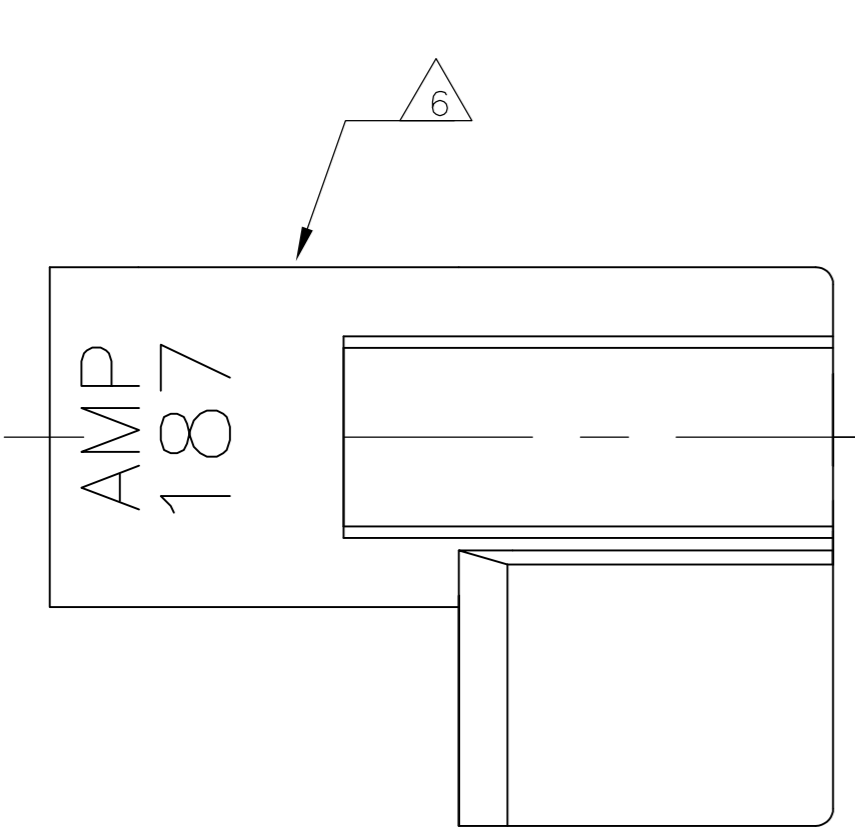
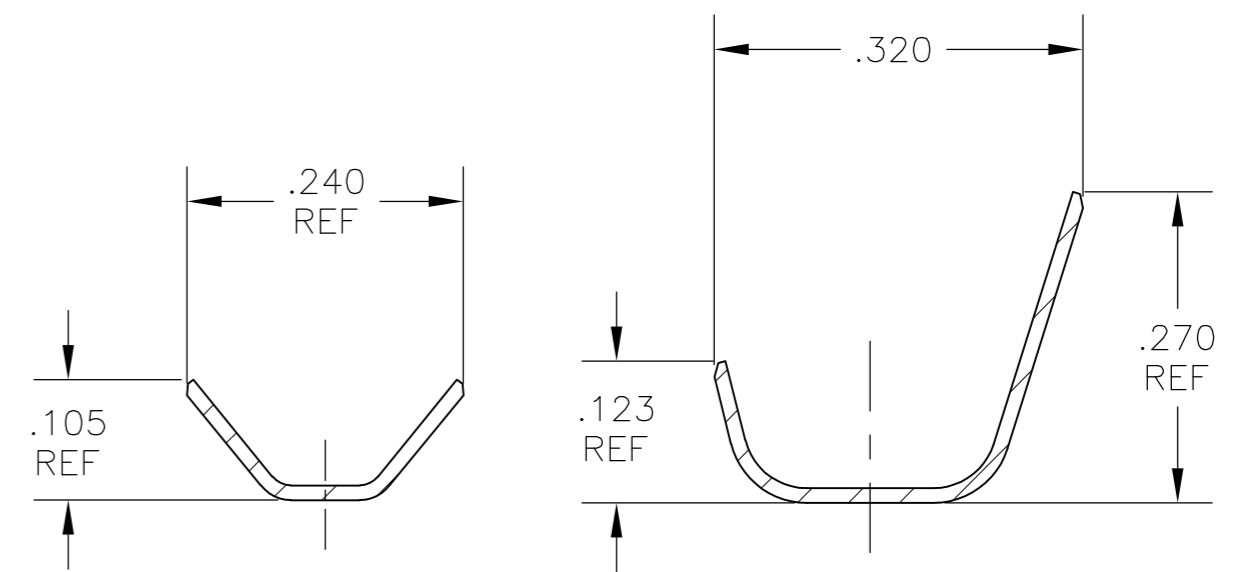


THIS DRAWING IS UNPUBLISHED. RELEASED FOR PUBLICATION
 © COPYRIGHT - By - ALL RIGHTS RESERVED.

LOC	DIST	REVISIONS					
AF	50	P	LTR	DESCRIPTION	DATE	DWN	APVD
		H		REVISED PER ECR-12-013062	17DEC12	KH	KR



- 2 WIRE SIZES & COMBINATIONS: #18, #16, #14, (2)#20, (2)#18
- 3 INSULATION RANGE IS .110-.150 DIA OR TWO AT .110 MAX DIA.
- 4 MATERIAL;
 TERMINAL: BRASS, FINISH SEE TABLE
 HOUSING: 6/6 NYLON, V2, NATURAL COLOR
- 5 FITS .187 X .020±.001 THK FASTON TAB
- 6 ALTERNATIVE HOUSING FORM
- 7 PREPRODUCTION - FASR REQ



THIS DRAWING IS A CONTROLLED DOCUMENT.		DWN	JR RUTH	30JUL03
DIMENSIONS: INCHES		CHK	J HUMMEL	24JUL03
TOLERANCES UNLESS OTHERWISE SPECIFIED:		APVD	KRISTY YI	24JUL03
0 PLC	± -	NAME		
1 PLC	± -	ASSEMBLY, RECPT, FLAG, ULTRA-POD, .187 SERIES		
2 PLC	± -	18-14 AWG, V2 HOUSING		
3 PLC	± .010	PRODUCT SPEC	108-2215	
4 PLC	± -	APPLICATION SPEC	114-2124	
ANGLES	± -	SIZE	A2	
FINISH	SEE NOTES	CAGE CODE	00779	
MATERIAL	SEE NOTES	DRAWING NO	C=521471	
		RESTRICTED TO		
		SCALE	6:1	
		SHEET	1 of 1	
		REV	H	

.000040 MIN TIN PLATE	521471-2
NO PLATING	7 521471-1
TERMINAL: FINISH	PART NO.

