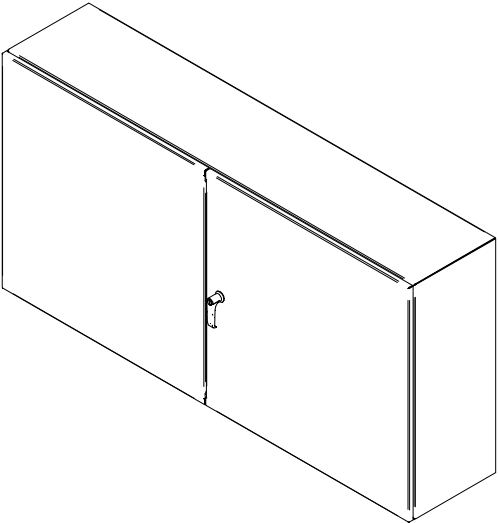
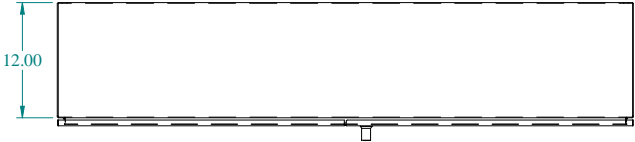


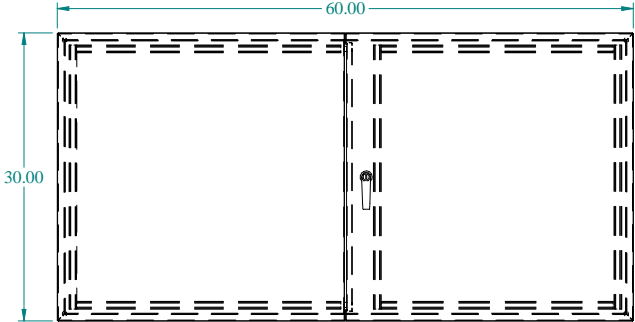
 **PART No. EN4TD306012LG**  
for more information visit  
[www.hammfg.com](http://www.hammfg.com)  
Data subject to change without notice  
Isometric drawing Not to Scale



ISOMETRIC VIEW



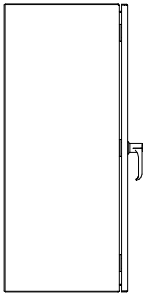
TOP VIEW



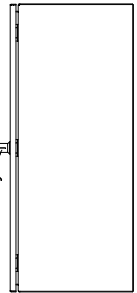
FRONT VIEW



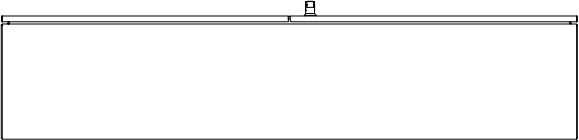
BACK VIEW



LEFT SIDE VIEW



RIGHT SIDE VIEW



BOTTOM VIEW