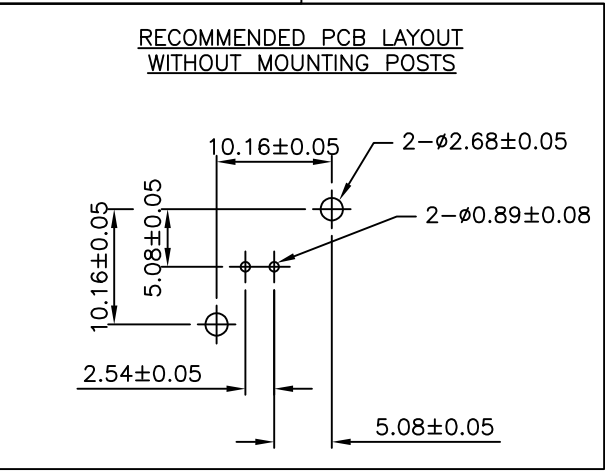
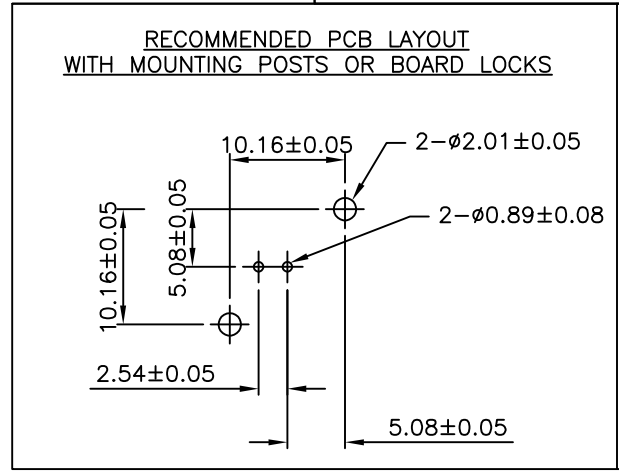
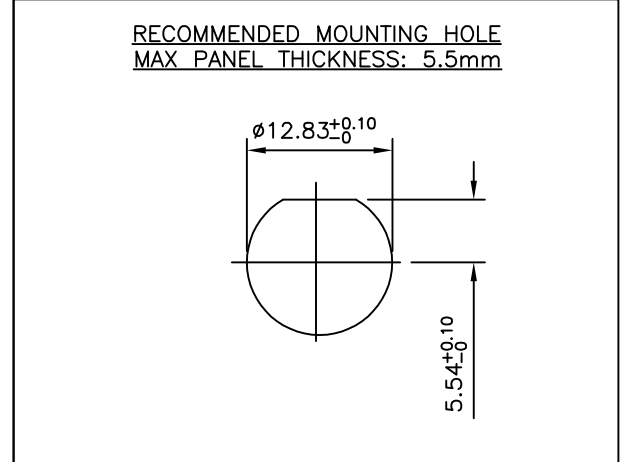
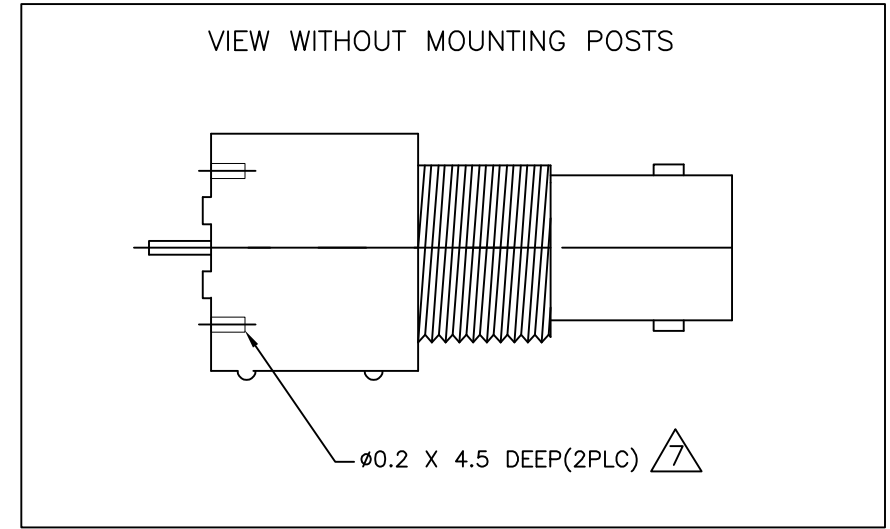
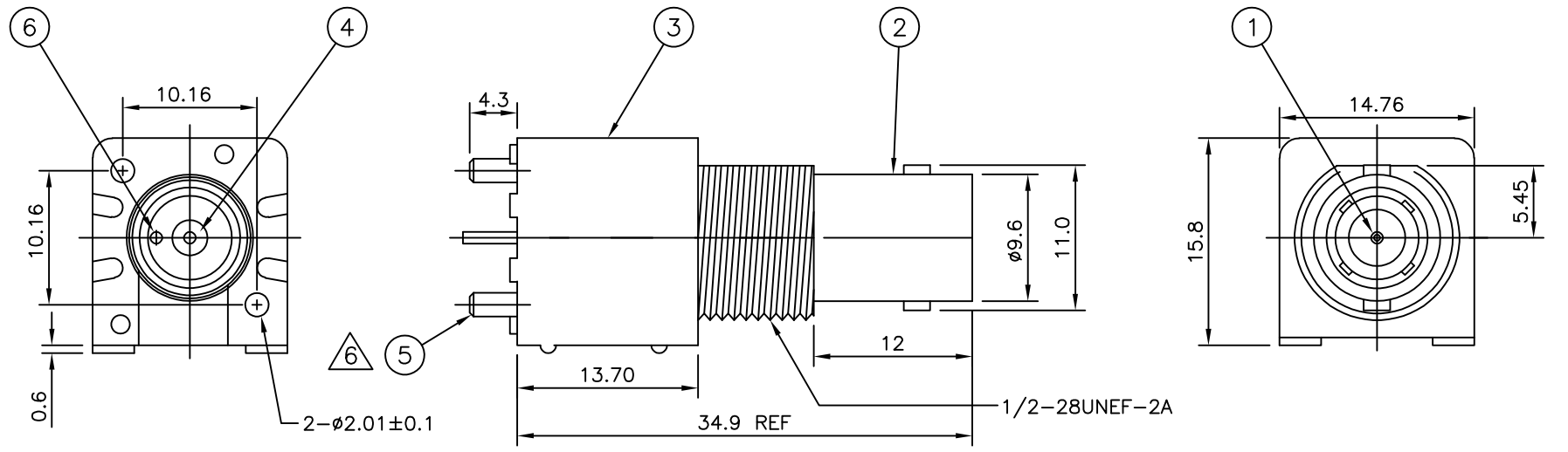


THIS DRAWING IS UNPUBLISHED. RELEASED FOR PUBLICATION AUGUST, 2005.
 © COPYRIGHT 2005 By - ALL RIGHTS RESERVED.

LOC	DIST	P	LTR	DESCRIPTION	DATE	DWN	APVD
E	B		D1	REVISED PER ECO-11-005033	01APR11	RK	HMR
		E		ECO-12-018113	27DEC12	TITAN	MARTIN

- NOTES:**
- 1 SINGLE PACK IN ACCORDANCE WITH AMP SPEC 107-3275
 - 2 50 TRAY PACK IN ACCORDANCE WITH AMP SPEC 107-3275
 - 3 Au PLATING OVER Ni PLATING OVER Cu PLATING
 - 4 Ni PLATING OVER Cu PLATING
 - 5 TIN PLATING
 - 6 MOUNTING POSTS ARE OPTIONAL SEE TABLE FOR PART NUMBERS
 - 7 RECOMMENDED SELF-TAPPING SCREW 221108-4
 - 8. RECOMMENDED MOUNT NUT 1-1634816-0
 - 9. RECOMMENDED LOCKWASHER 1-1634817-0
 - 10. FOR TECHNICAL DATA REFER TO YOUR LOCAL TE CONNECTIVITY SALES OFFICE
 - 11. ALL DIMENSIONS ARE NOMINAL FOR REFERENCE ONLY UNLESS OTHERWISE STATED



QTY	DESCRIPTION	ITEM
1	BRASS	6 SOLDER TAIL
1	BRASS	5 MOUNTING POST
1	PE-606	4 INSULATOR
1	PBT WHITE	3 HOUSING
1	ZINC ALLOY	2 BODY
1	BRASS	1 CONTACT
6--1	MATERIAL	DESCRIPTION
1--1		ITEM
6--0		
1--0		

THIS DRAWING IS A CONTROLLED DOCUMENT.

DWN RITA ZUO 04 Mar 09
 CHK ANSON MA 04 Mar 09
 APVD BOB ZHAO 04 Mar 09

PRODUCT SPEC 108-112000
 APPLICATION SPEC

MATERIAL SEE TABLE
 FINISH SEE TABLE

WEIGHT -

CUSTOMER DRAWING

SCALE NTS SHEET 1 OF 1 REV E

STE TE Connectivity
 BNC STRAIGHT INSULATED PCB SOCKET
 50 OHM WHITE

SIZE A3 CAGE CODE 00779 DRAWING NO C-1337541 RESTRICTED TO -