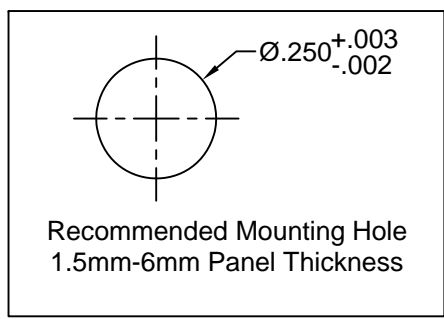
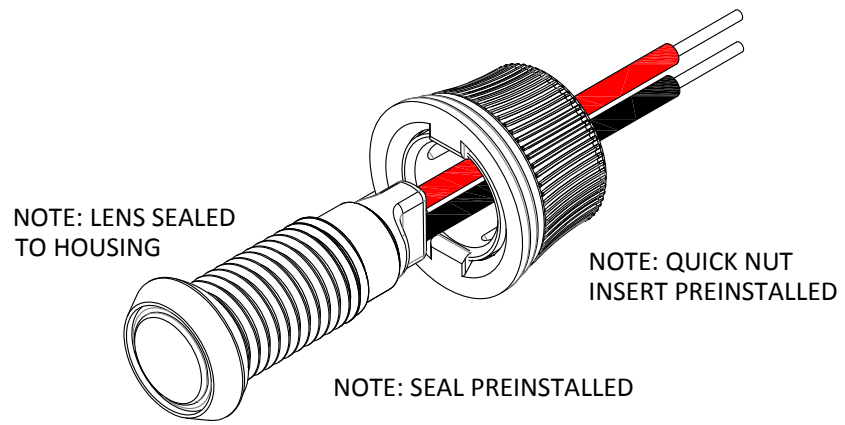
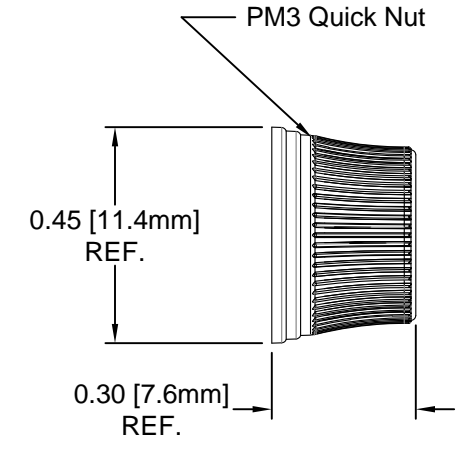
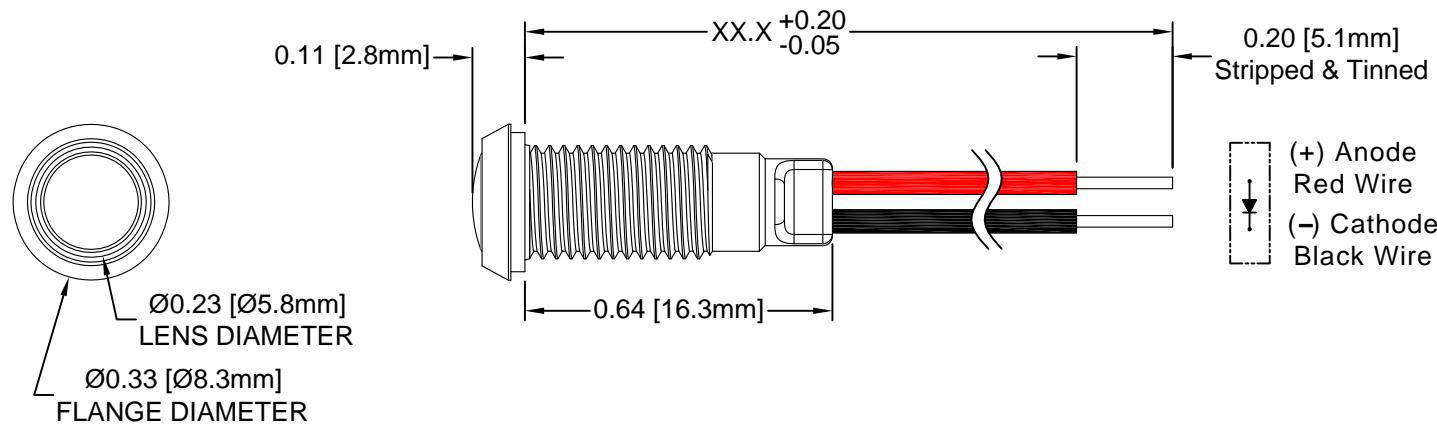


REV.	DESCRIPTION	DATE	APPROVED
A	Engineering Release	03/17/14	J. C.
B	Updated LED Optical Characteristics	09/15/15	J. C.



EXAMPLE:  
PM3-KNGDW6.5

- Wire Length in 0.5" Increments
- LED Color
- Series

NOTES:  
1. ROHS COMPLIANT  
2. MOUNTING HARDWARE SHIPPED NON-ASSEMBLED

STANDARD TOLERANCE (UNLESS OTHERWISE SPECIFIED)		 4 THOMAS, IRVINE, CA. 92618 TEL: (949) 951-8808 FAX: (949) 951-3974	
DECIMALS	ANGULAR		
.X ± .1	X° ± 1°		<b>TITLE:</b> Quick-Mount Panel Mount Indicator w/ Wire
.XX ± .02			
.XXX ± .010		<b>DESIGNED:</b> Brian Oliver <b>CHECKED:</b> T. Yin	<b>DATE:</b> 03/17/14 <b>DATE:</b> 03/17/14
		<b>PART NO:</b> PM3-KNXXXWXX.X <b>CAGE CODE :</b> 32559	<b>REVISION:</b> B <b>SHEET #</b> 1 OF 2
CAD GENERATED DOCUMENT. DO NOT MEASURE DRAWING.			


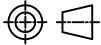
REV.	DESCRIPTION	DATE	APPROVED
	SEE SHEET #1		

Assembly Part Number	LED Part Number	Peak Wave Length $\lambda_p$ (nm)	Emitted Color	Electro-Optical Data @ 20mA		Viewing Angle
				Typ Vf (VDC)	Assembly Iv (mcd)	
				TYP	TYP	
PM3-KNADWXX.X	3SAD-S	610	AMBER	2.0	45	120
PM3-KNBWDWXX.X	3BWD0.245-S	470	BLUE	4.0	90	120
PM3-KNGDWXX.X	3SGD-S	568	GREEN	2.1	14	120
PM3-KNRDWXX.X	3SRD-S	645	RED	1.7	18	120
PM3-KNYDWXX.X	3SYD-S	585	YELLOW	2.1	14	120

Assembly Part Number	LED Part Number	Color Temperature	Emitted Color	Electro-Optical Data @ 20mA		Viewing Angle
				Vf (VDC)	Assembly Iv (mcd)	
				TYP	TYP	
PM3-KNWDWXX.X	3UWD2.555N	5000K	NEUTRAL WHITE	3.2	1500	120

## ABSOLUTE MAXIMUM RATINGS (Ta = 25°C)

MAXIMUM REVERSE VOLTAGE \_\_\_\_\_ 5V  
 MAXIMUM POWER DISSIPATION \_\_\_\_\_ 150 mW  
 OPERATING TEMPERATURE RANGE \_\_\_\_\_ -30°C ~ 85°C  
 STORAGE TEMPERATURE \_\_\_\_\_ -40°C ~ 85°C

STANDARD TOLERANCE (UNLESS OTHERWISE SPECIFIED) DECIMALS                      ANGULAR		 4 THOMAS, IRVINE, CA. 92618 TEL: (949) 951-8808    FAX: (949) 951-3974	
			
DESIGNED: <b>Brian Oliver</b>	DATE: <b>03/17/14</b>	<b>PART NO:</b> PM3-KNXXXWXX.X	REVISION: <b>B</b>
CHECKED: <b>T. Yin</b>	DATE: <b>03/17/14</b>	<b>CAGE CODE : 32559</b>	<b>SHEET # 2 OF 2</b>
CAD GENERATED DOCUMENT. DO NOT MEASURE DRAWING.			