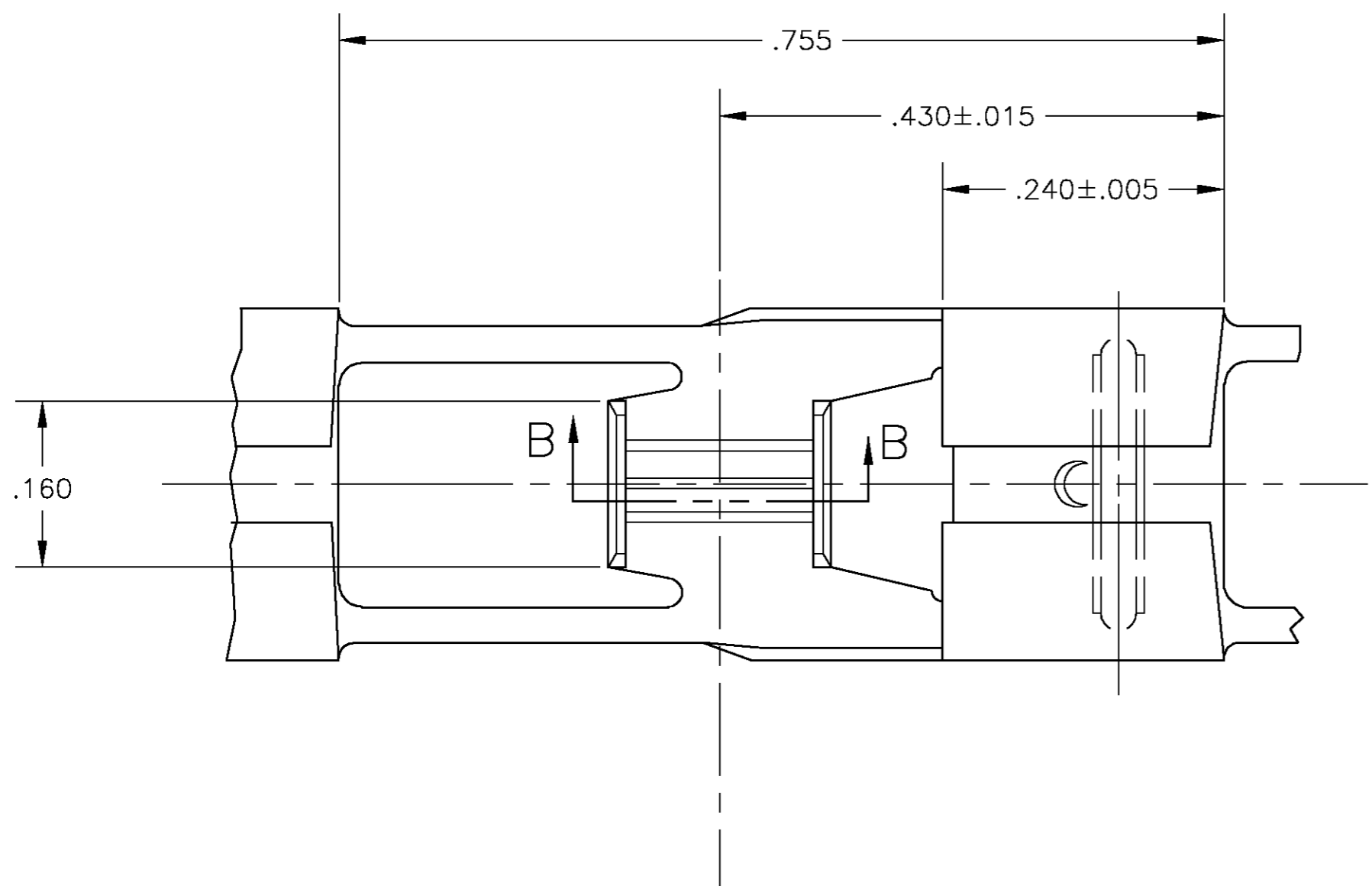
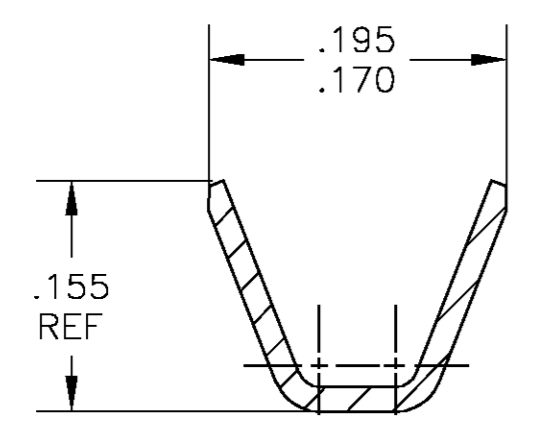
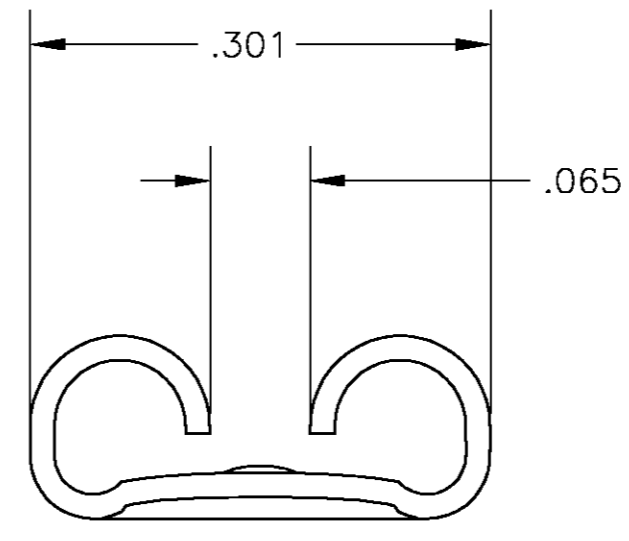
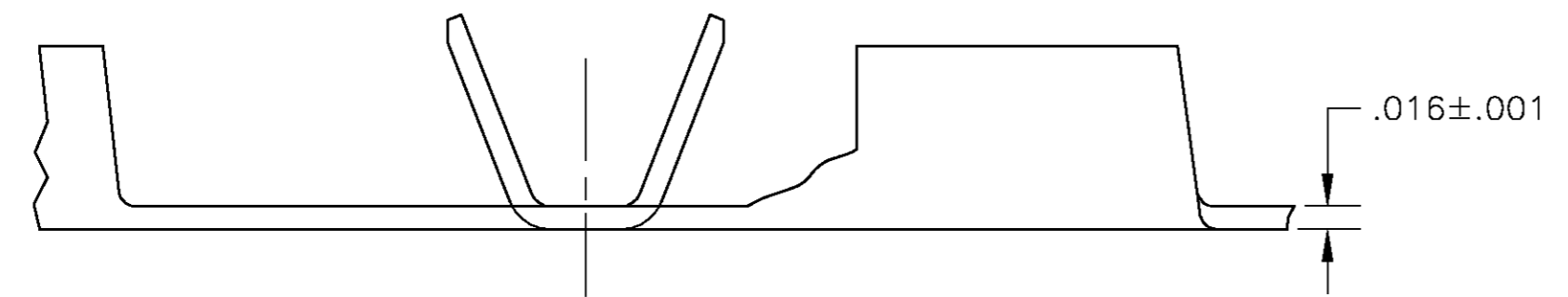


THIS DRAWING IS UNPUBLISHED. RELEASED FOR PUBLICATION
 © COPYRIGHT BY TYCO ELECTRONICS CORPORATION. ALL RIGHTS RESERVED.

LOC	DIST	REVISIONS					
		P	LTR	DESCRIPTION	DATE	DWN	APVD
AF	50	J		REL PER 0G3A-0101-05	14FEB05	JR	PD



- 1 CONTINUOUS STRIP ON REELS.
- 2 WIRE SIZE IS #18-#14 AWG.
- 3 MATING TAB SIZE IS .032±.001
- △ 4 REVERSE REELING OF 1217972-1



SECTION B-B

△ 4	1217972-2
	1217972-1
	PART NO

THIS DRAWING IS A CONTROLLED DOCUMENT.		DWN MICHAEL S. FEHER 26JUN2003	Tyco Electronics Corporation Harrisburg, PA 17105	
DIMENSIONS: INCHES		CHK PETE DESANTIS 26JUN2003	NAME RECEPTACLE, FASTON, FLAG, .250 SERIES	
TOLERANCES UNLESS OTHERWISE SPECIFIED:		APVD PETE DESANTIS 26JUN2003	SIZE A2	CAGE CODE 00779
0 PLC ± -	1 PLC ± -	PRODUCT SPEC	DRAWING NO C=1217972	RESTRICTED TO
2 PLC ± -	3 PLC ± .010	APPLICATION SPEC	SCALE 8:1	SHEET 1 OF 1
4 PLC ± -	ANGLES ± 1°	WEIGHT -	REV J	
MATERIAL C.R.STEEL	FINISH .000150 MIN NICKEL	CUSTOMER DRAWING		

1217972