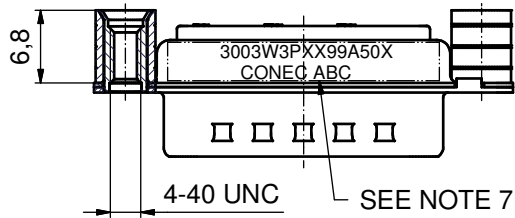
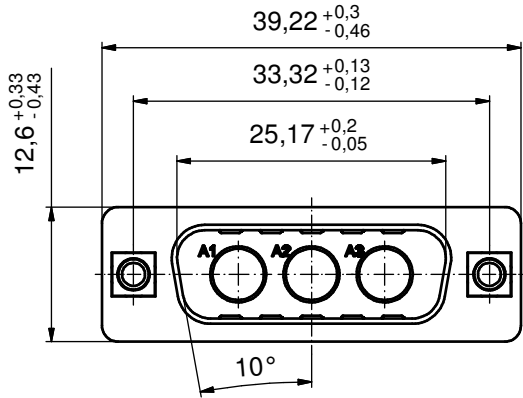
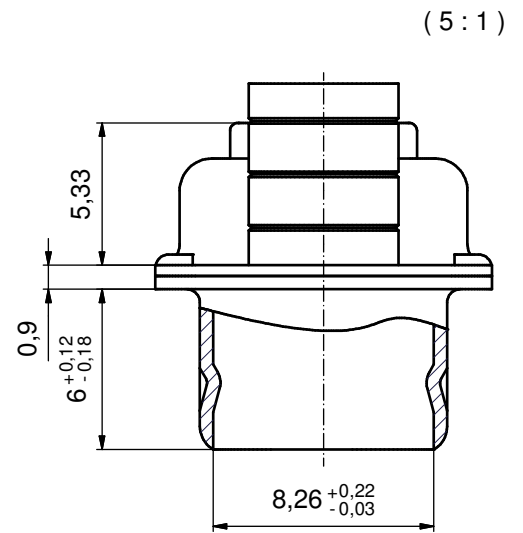
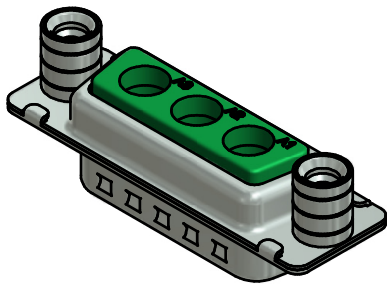


P.C.B. HOLE DRILLINGS  
(P.C.B. TOP SIDE)



SEE NOTE 7



(5:1)

NOTES:

1. METALSHIELDS: STEEL; min. 315µm TIN over 40-80µm NICKEL
2. INSULATOR: PBT GF UL 94 V-0, GREEN
3. NO CONTACTS ON POS. A1 - A3
4. THREADED REAR SPACERS: COPPER ALLOY; min. 200µm TIN over 80µm NICKEL
5. SLEEVES: COPPER ALLOY; min. 200µm TIN over 80µm NICKEL
6. MAXIMUM TORQUE VALUE FOR THREAD: 6 in.LB
7. CONNECTOR IS PART MARKED: 3003W3PXX99A50X CONEC ABC

Directive 2002/95/EC RoHS compliant

THIS DRAWING MAY NOT BE COPIED OR REPRODUCED IN ANY WAY, AND MAY NOT BE PASSED ON TO A THIRD PARTY WITHOUT WRITTEN PERMISSION. OWNERSHIP AND COPYRIGHT OF CONEC GmbH DO NOT ALTER CAD DRAWING BY HAND					tolerance	dim. in mm	scale:	2:1 (5:1)		
					date		name	material:	SEE NOTES	
					drawn	26.06.14	Henneboel	title: <b>D-SUB COMBINATION MALE</b> 3W3P with threaded rear spacer		
					appd.	26.06.14	Lehmenkühler			
					norm					
					d-old			dwg no:		DIN-A3
					a	Original		13K1A4702		sh: 1
				rev.	description	date	name	part no: 3003W3PXX99A50X		
				<b>CONEC</b> <sup>®</sup>						