

# Ultra Compact Ethernet Serial Servers

VESR900 Series - Copper Models

B+B SMARTWORX

Powered by

ADVANTECH



## PRODUCT FEATURES

- Ethernet enable serial devices
- Direct IP, virtual COM port, or paired mode
- Ethernet pass-through port available
- Serial RS-232/RS-422/485 ports
- UL Class 1 Division 2
- NEMA TS2 (VESR901)

Take control of your serial devices with Vlinx™ VESR9xx Industrial Ethernet Serial Servers. If it has a Serial Port, it can be monitored and controlled from anywhere on your Ethernet LAN or WAN. Keep it at maximum productivity without leaving your office. Even troubleshoot it from outside your LAN via the Internet. The easy to use Vlinx™ Manager software puts access to your whole shop on your desk. Configure devices, upgrade firmware and monitor activity. Configuration changes can also be made using a web browser.

VESR92x series servers also feature an additional copper RJ45 port that allows you to connect another Ethernet device or PC work-station. This Pass-through port functions much like an unmanaged switch.

Heartbeat connectivity keeps the serial server online. If connectivity is lost it attempts to reconnect every five seconds until connection is regained. A manual reboot is not needed when communications are restored.

## ORDERING INFORMATION

| MODEL NUMBER | SERIAL PORTS | SERIAL CONNECTORS | ETHERNET MEDIA | ETHERNET CONNECTORS |
|--------------|--------------|-------------------|----------------|---------------------|
| VESR901†     | 1            | DB9 & TB          | CAT 5          | RJ45                |
| VESR902D     | 2            | DB9               | CAT 5          | RJ45                |
| VESR902T     | 2            | TB                | CAT 5          | RJ45                |
| VESR921      | 1            | DB9 & TB          | CAT 5          | Two RJ45            |
| VESR922T     | 2            | TB                | CAT 5          | Two RJ45            |

\* Fiber options available.

† NEMA TS2

## ACCESSORIES

MDR-40-24 - DIN rail mount power supply 24VDC, 1.7 A output power

ERS35 - 1 M 35mm DIN rail, steel

DRPM25 - 35mm DIN Rail to Panel Mount Bracket

TBKT2 - Replacement Terminal Block, One 5 Position 5.08 mm

TBKT1 - Replacement Terminal Block, One 2 Position 5.08 mm

# Ultra Compact Ethernet Serial Servers

## VESR900 Series - Copper Models

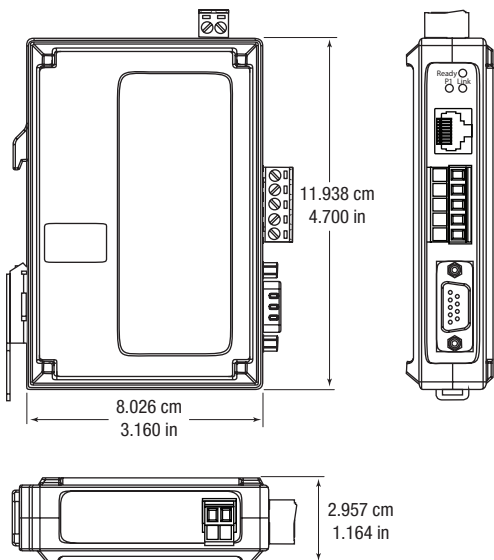


### SPECIFICATIONS

| SERIAL TECHNOLOGY      |   |
|------------------------|---|
| RS-232                 | TD, RD, RTS, CTS, DTR, DSR, DTD, GND  |
| RS-485 2-Wire          | Data A(-), Data B(+), GND   |
| RS-422/485 4-Wire      | TDA(-), TDB(+), RDA(-), RDB(+), GND   |
| Serial Connector       | DB9M or Removable Terminal Blocks   |
| Data Rate              | Up to 230.4 Kbps  |
| POWER                  |   |
| Source                 | External  |
| Input Voltage          | 10 to 48 VDC (58 VDC Maximum)   |
| Connector              | Removable Terminal Block (12 – 28 AWG)  |
| Power Consumption      | VESR90x: 4.0 Watts Max.<br>VESR92x: 6.0 Watts Max.  |
| MECHANICAL             |   |
| LED Indicators         | Serial Port, Ethernet Link, Ready   |
| Switches               | Reset Button  |
| Dimensions             | VESR90x: 11.94 x 8.03 x 2.96 cm (4.70 x 3.16 x 1.16 in)<br>VESR92x: 14.86 x 10.11 x 2.96 cm (5.85 x 3.98 x 1.16 in) |
| Enclosure              | 35mm DIN mount, Plastic, IP 30  |
| Weight                 | VESR90x: 149.7 g (0.33 lbs)<br>VESR92x: 204.1 g (0.45 lbs)  |
| ENVIRONMENTAL          |   |
| Operating Temperature  | -40 to 80°C (-40 to 176°F)  |
| Operating Humidity     | 10 to 95% Non-condensing  |
| MTBF                   | VESR90x: ~ 132309 hours<br>VESR92x: ~ 102593 hours  |
| MTBF Calc Method       | Parts Count Reliability Prediction  |
| NETWORK                |   |
| Serial Memory          | 8 KB per port   |
| Network Memory         | 4 KB  |
| NETWORK COMMUNICATIONS |   |
| LAN                    | 10/100 Mbps Auto-detecting, 10BaseT or 100BaseTX  |

| NETWORK PHYSICAL LAYER STANDARDS     |   |
|--------------------------------------|---|
| Ethernet                             | IEEE 802.3 auto detecting & auto MDI/MDX, 10BaseT and 100Base TX  |
| PROTOCOLS                            |   |
| Protocols                            | TCP, IPv4, UDP, ARP, HTTP 1.0, ICMP/PING, DHCP/BOOTP  |
| IP Mode                              | Static, DHCP  |
| TCP/UDP                              | User definable  |
| OTHER                                |   |
| Connection Mode                      | Server, Client, VCOM, Paired  |
| Client Connection                    | At power up or upon data arrival  |
| Search                               | Serial direct COM and Ethernet Auto Search or specific IP   |
| Diagnostics                          | Display PC IP, ping, test VCOM, save test config (text readable)  |
| Firmware Upgrade                     | Vlinx Manager   |
| ETHERNET PASS-THROUGH PORT (VESR92X) |   |
| Standards                            | IEEE 802.3, 802.3u, 802.3x  |
| Processing Type                      | Store and Forward with 802.3x full duplex, non blocking flow control  |
| Flow Control                         | IEEE 802.3x flow control, back pressure flow control  |
| MAC Address Table                    | 2K  |
| CONFIGURATION SOFTWARE               |   |
| Vlinx Manager                        | Windows 2000, XP (32/64 bit), 2003 Server (32/64 bit), Vista (32/64 bit), 2008 Server (32/64 bit), Win 7 (32/64 bit)    |
| REGULATORY / CERTIFICATIONS / SAFETY |   |
| Compliance                           | FCC, CE, NEMA TS2 (VESR901)<br>UL Listed, File E222870<br>UL Class 1 Division 2 Groups A, B, C, D (HAZLOC) File E245458 |

### MECHANICAL DIAGRAM - VESR90X MODELS



### MECHANICAL DIAGRAM - VESR92X MODELS

