

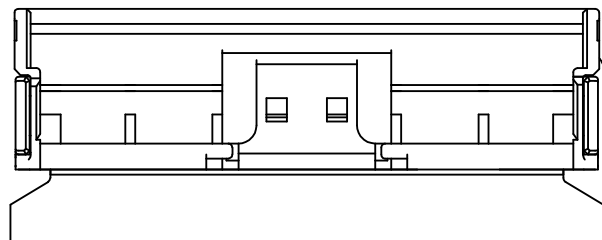
注記 1. 使用材料
NOTE MATERIAL

- ハウジング HOUSING : 液晶ポリマー (LCP), ガラス充填, UL94V-0 色: 黒色
LIQUID CRYSTAL POLYMER (LCP), GLASS FILLED, UL94V-0 COLOR: BLACK
- ターミナル TERMINAL : 銅合金 (t=0.18)
ニッケル下地 錫ビスマスメッキ
COPPER ALLOY (t=0.18)
Sn-Bi PLATING OVER NICKEL PLATING.
- 金具 FITTING NAIL : 銅合金 (t=0.25)
ニッケル下地 錫メッキ
COPPER ALLOY (t=0.25)
TIN OVER NICKEL PLATING.

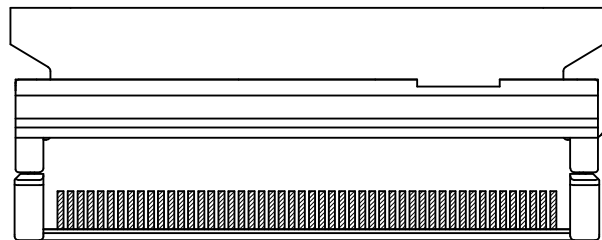
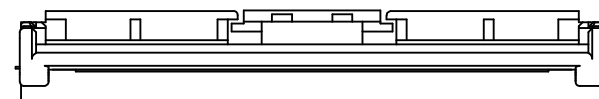
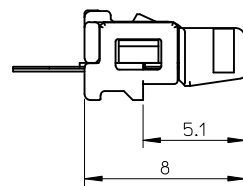
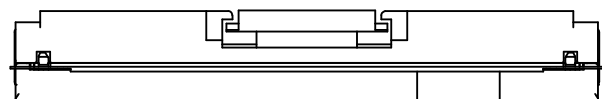
- △ N=偶数に通用 (N:極数)
APPLY FOR N-EVEN(CIRCUIT)
- △ 3 パターン剥離止め用金具
FITTING NAIL FOR PREVENTION OF PEELING OF P.C.B PATTERN.
- △ 適合ジャケット: 501783-**-09
製品詳細寸法はSD-501783-001を参照下さい。
APPLICABLE JACKET: 501783-**-09.RE DETAILED DIMENSION.SEE SD-501783-001.
- △ 5 適合ジャケットカバー: 501784-**-09
製品詳細寸法はSD-501784-001を参照下さい。
APPLICABLE JACKET: 501784-**-09.RE DETAILED DIMENSION.SEE SD-501784-001.

27.2	29.1	29.8	24.5	33.1	501864-5021	50
22.2	24.1	24.8	19.5	28.1	501864-4021	40
E	D	C	B	A	MATERIAL NO.	極数

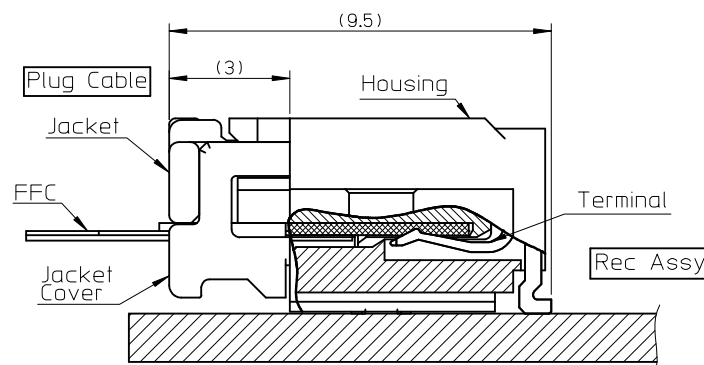
REVISED EC NO: J2013-0731 2012/08/02 DRWN:KNAGUMO 2012/08/03 CHKD:K.TAKAHASHI 2012/08/03 APPR:KMORIKAWA 2013/01/07	DESCRIPTION	GENERAL TOLERANCES (UNLESS SPECIFIED)		DIMENSION STYLE MM ONLY		SCALE 4:1	DESIGN UNITS METRIC	THIRD ANGLE PROJECTION	
		10 UNDER	±0.2	DRAWN BY H.IIJIMA	DATE 06/01/13	TITLE 0.5 FFC TO BOARD CONN REC. HSG ASSY(RA)			
		10 OVER 30 UNDER	±0.25	CHECKED BY K.TAKAHASHI	DATE 06/01/13				
		30 OVER	±0.3	APPROVED BY H.HIRATA	DATE 06/01/13				
A	REV	ANGULAR	±1 °	MATERIAL NO. 501864-**-21	DOCUMENT NO. SD-501864-004	SHEET NO. 1 OF 2			
		DRAFT WHERE APPLICABLE MUST REMAIN WITHIN DIMENSIONS		THIS DRAWING CONTAINS INFORMATION THAT IS PROPRIETARY TO MOLEX INCORPORATED AND SHOULD NOT BE USED WITHOUT WRITTEN PERMISSION					



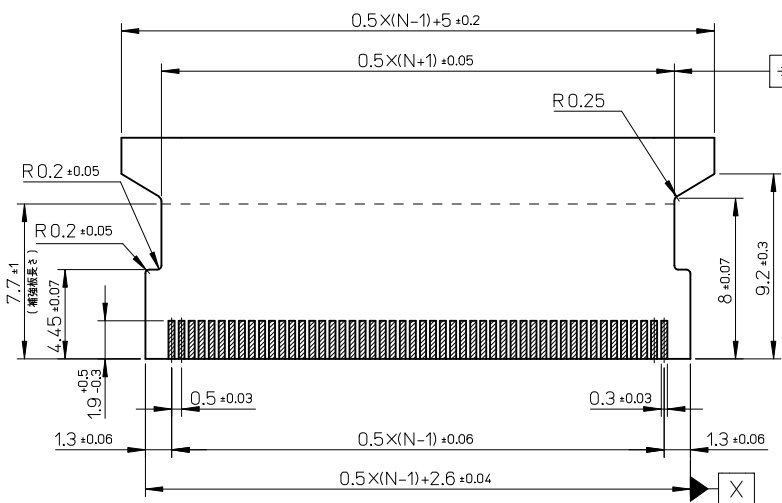
△4 ジャケット
JACKET



△5 ジャケットカバー
JACKET COVER



嵌合断面図



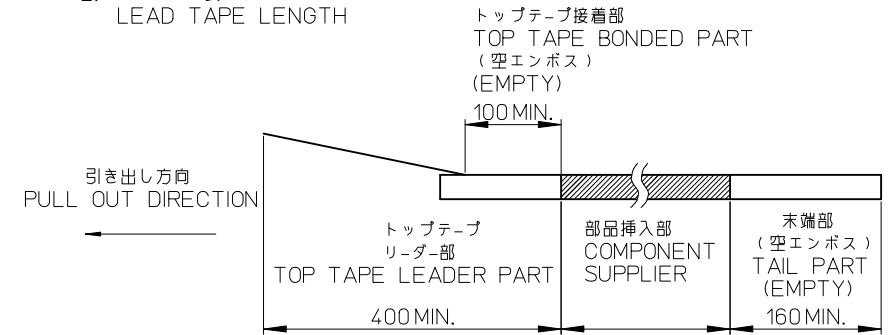
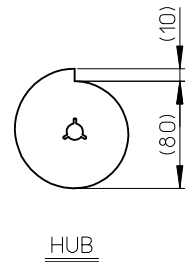
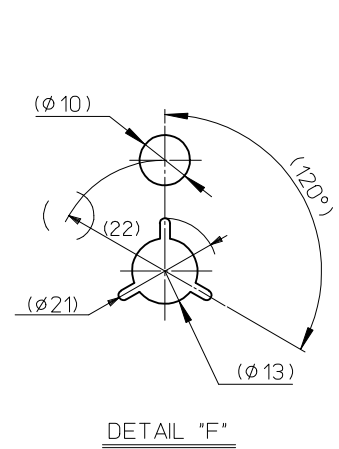
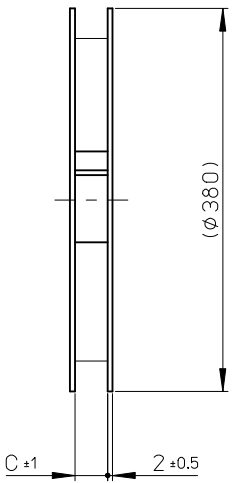
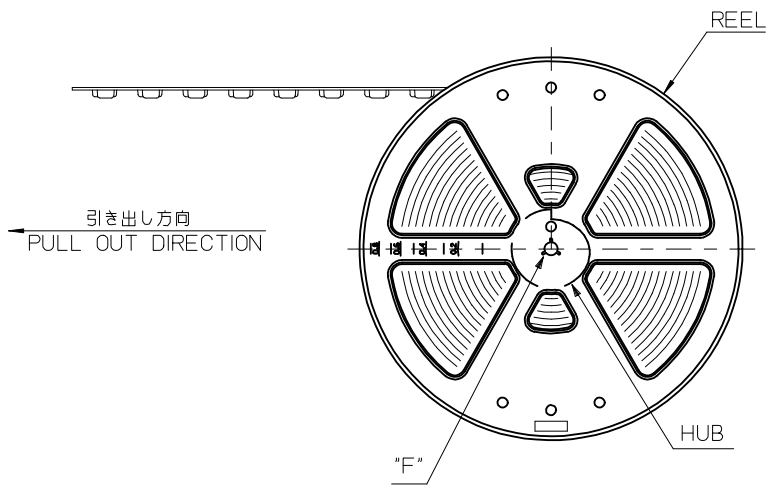
コネクタ接点部

適合FFC寸法
APPLICABLE FFC
RECOMMENDED DIMENSION
(仕上がり厚さ: 接点部 0.3 ± 0.03)

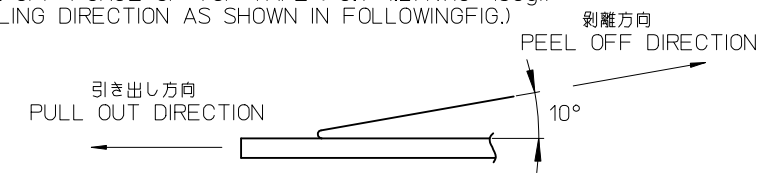
SEE SHEET 1 OF 2 EC NO: J2013-0731 DRAWN: DR/MNKAGUMO 2012/08/02 CHKD: K.TAKAHASHI 2012/08/03 APPR: KMORI KAWA 2013/01/07	GENERAL TOLERANCES (UNLESS SPECIFIED)		DIMENSION STYLE MM ONLY	SCALE 4:1	DESIGN UNITS METRIC	THIRD ANGLE PROJECTION
	10 UNDER	±0.2	DRAWN BY H. IJIMA	DATE 06/01/13	TITLE 0.5 FFC TO BOARD CONN REC. HSG ASSY(RA)	
	10 OVER 30 UNDER	±0.25	CHECKED BY K. TAKAHASHI	DATE 06/01/13		
	30 OVER	±0.3	APPROVED BY H. HIRATA	DATE 06/01/13		
ANGULAR ±1 °		MATERIAL NO. 501864-**21	DOCUMENT NO. SD-501864-004	SHEET NO. 2 OF 2		
DRAFT WHERE APPLICABLE MUST REMAIN WITHIN DIMENSIONS		SIZE A3	THIS DRAWING CONTAINS INFORMATION THAT IS PROPRIETARY TO MOLEX INCORPORATED AND SHOULD NOT BE USED WITHOUT WRITTEN PERMISSION			

NOTES

- 極包数量: 900 個/リール
NUMBER OF CONNECTORS: 900 PCS/REEL
- リードテープ長さ
LEAD TAPE LENGTH



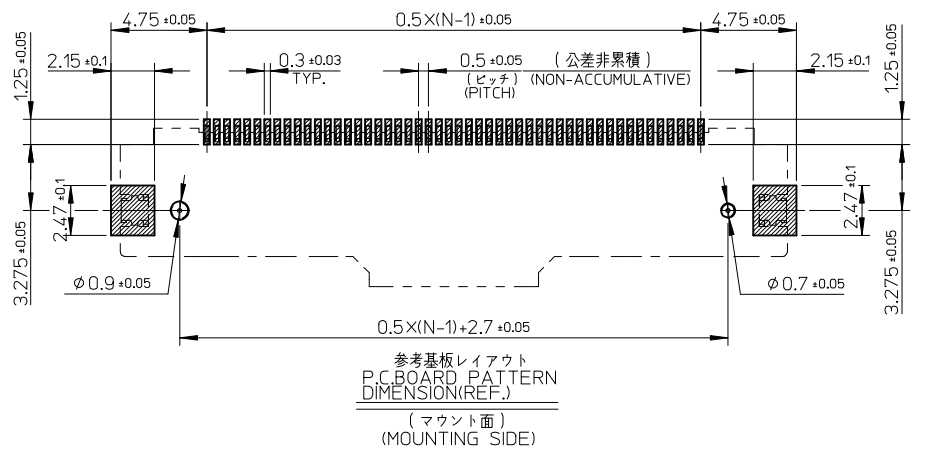
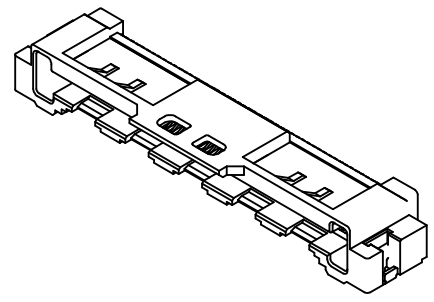
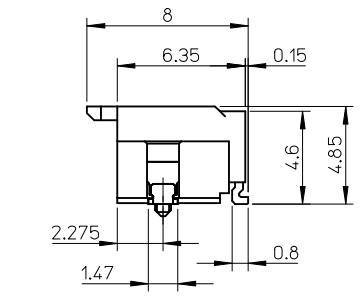
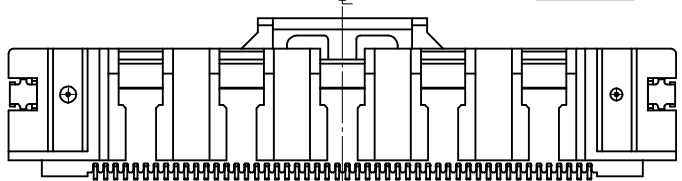
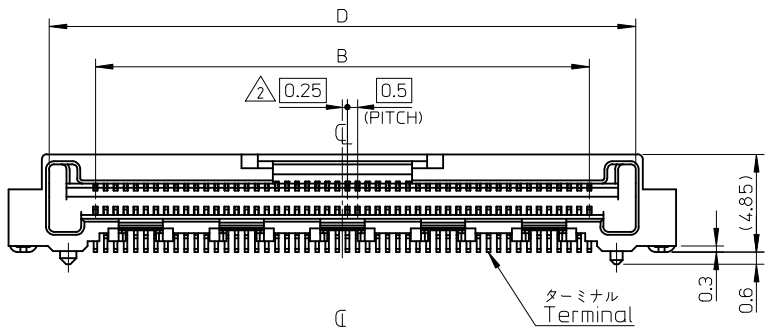
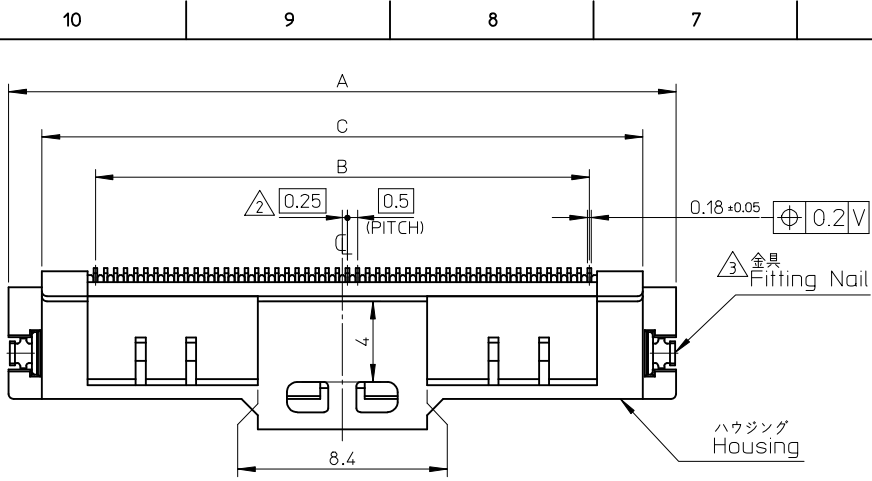
- トップテープの剥離強度: 0.1~1.27N(10~130gf)
(剥離方向は下図参照)
剥離速度: 300mm/MIN. (参考)
PEEL-OFF FORCE OF TOP TAPE: 0.1~1.27N(10~130gf)
(PEELING DIRECTION AS SHOWN IN FOLLOWING FIG.)



- 製品詳細寸法については図面 SD-501864-004を参照下さい。
RE DETAILED DIMENSION, SEE SD-501864-004.
- 材料(MATERIAL)
キャリアテープ(CARRIER TAPE): ポリスチレン(POLYSTYRENE)
トップテープ(TOP TAPE): PET, PE, PE
リール(REEL): ポリスチレン(POLYSTYRENE)

501864-**80 MODEL NO.

REVISED EC NO: J2013-0731 2012/08/02 DRWN:KAGUMO 2012/08/03 CHKD:KAKAHASHI 2013/01/07 APPR:KMORIKAWA	DESCRIPTION REV	GENERAL TOLERANCES (UNLESS SPECIFIED)		DIMENSION STYLE MM ONLY		SCALE ---	DESIGN UNITS METRIC	THIRD ANGLE PROJECTION		
		10 UNDER	±0.2	DRAWN BY H. IJIMA	DATE 06/01/17	TITLE EMBSTP PKG FOR 0.5 FFC TO BOARD CONN RA TYPE				
		10 OVER 30 UNDER	±0.25	CHECKED BY K. TAKAHASHI	DATE 06/01/17					
		30 OVER	±0.3	APPROVED BY H. HIRATA	DATE 06/01/17					
ANGULAR ±1 °		DRAFT WHERE APPLICABLE MUST REMAIN WITHIN DIMENSIONS		MATERIAL NO. 501864-**80		DOCUMENT NO. SD-501864-005		SHEET NO. 1 OF 2		
SIZE A3		THIS DRAWING CONTAINS INFORMATION THAT IS PROPRIETARY TO MOLEX INCORPORATED AND SHOULD NOT BE USED WITHOUT WRITTEN PERMISSION								



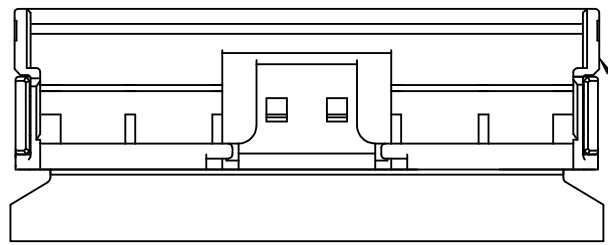
注記 1. 使用材料
NOTE MATERIAL

- ハウジング HOUSING : 液晶ポリマー (LCP), ガラス充填, UL94V-0 色: 黒色
LIQUID CRYSTAL POLYMER (LCP), GLASS FILLED, UL94V-0 COLOR: BLACK
- ターミナル TERMINAL : 銅合金 (t=0.18) ニッケル下地 錫ピスマスメッキ
COPPER ALLOY (t=0.18) Sn-BI PLATING OVER NICKEL PLATING.
- 金具 FITTING NAIL : 銅合金 (t=0.25) ニッケル下地 錫メッキ
COPPER ALLOY (t=0.25) TIN OVER NICKEL PLATING.

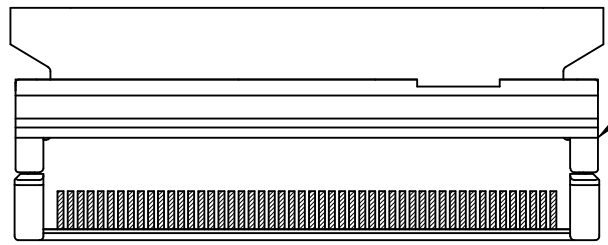
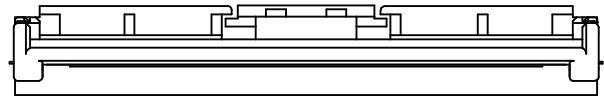
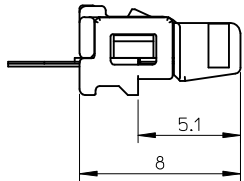
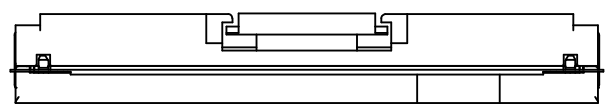
- △ N=偶数に通用 (N:極数) APPLY FOR N-EVEN(CIRCUIT)
- △ パターン剥離止め用金具 FITTING NAIL FOR PREVENTION OF PEELING OF P.C.B PATTERN.
- △ 適合ジャケット: 501783-**-09 製品詳細寸法はSD-501783-001を参照下さい。 APPLICABLE JACKET: 501783-**-09.RE DETAILED DIMENSION.SEE SD-501783-001.
- △ 適合ジャケットカバー: 501784-**-09 製品詳細寸法はSD-501784-001を参照下さい。 APPLICABLE JACKET: 501784-**-09.RE DETAILED DIMENSION.SEE SD-501784-001.

27.2	29.1	29.8	24.5	33.1	501864-5021	50
22.2	24.1	24.8	19.5	28.1	501864-4021	40
E	D	C	B	A	MATERIAL NO.	極数

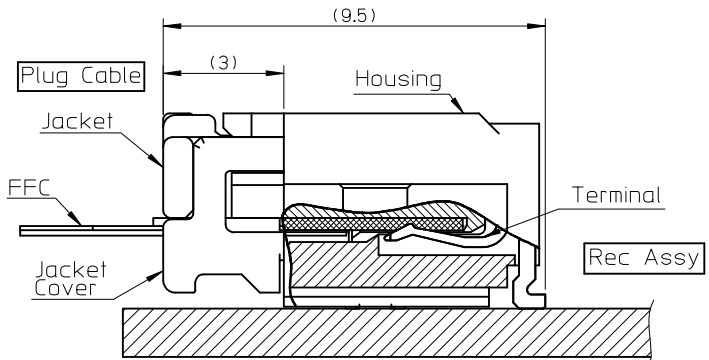
REVISED EC NO: J2013-0731 DRWN:KNAGUMO 2012/08/02 CHKD:K.TAKAHASHI 2012/08/03 APPR:KMORIKAWA 2013/01/07	DESCRIPTION	GENERAL TOLERANCES (UNLESS SPECIFIED)		DIMENSION STYLE MM ONLY		SCALE 4:1	DESIGN UNITS METRIC	THIRD ANGLE PROJECTION	
		10 UNDER	±0.2	DRAWN BY H.IIJIMA	DATE 06/01/13	TITLE 0.5 FFC TO BOARD CONN REC. HSG ASSY(RA)			
		10 OVER 30 UNDER	±0.25	CHECKED BY K.TAKAHASHI	DATE 06/01/13				
		30 OVER	±0.3	APPROVED BY H.HIRATA	DATE 06/01/13				
A	REV	ANGULAR ±1 °	DRAFT WHERE APPLICABLE MUST REMAIN WITHIN DIMENSIONS	MATERIAL NO. 501864-**-21	DOCUMENT NO. SD-501864-004	SHEET NO. 1 OF 2			
				SIZE A3	THIS DRAWING CONTAINS INFORMATION THAT IS PROPRIETARY TO MOLEX INCORPORATED AND SHOULD NOT BE USED WITHOUT WRITTEN PERMISSION				



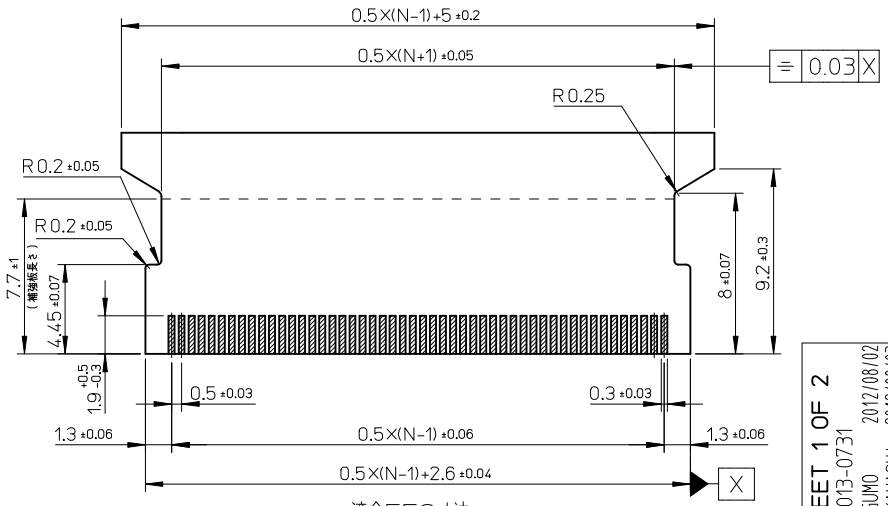
△4 ジャケット
JACKET



△5 ジャケットカバー
JACKET COVER



嵌合断面図



コネクタ接点部

適合FFC寸法
APPLICABLE FFC
RECOMMENDED DIMENSION
(仕上がり厚さ: 接点部 0.3 ± 0.03)

SEE SHEET 1 OF 2 REV A	EC NO: J2013-0731	DR: WAKAGUMO 2012/08/02	CHKD: TAKAHASHI 2012/08/03	APPR: KMORI KAWA 2013/01/07	GENERAL TOLERANCES (UNLESS SPECIFIED)	DIMENSION STYLE MM ONLY	SCALE 4:1	DESIGN UNITS METRIC	THIRD ANGLE PROJECTION
					10 UNDER ±0.2	DRAWN BY H. IJIMA	DATE 06/01/13	TITLE 0.5 FFC TO BOARD CONN REC. HSG ASSY(RA)	
					10 OVER 30 UNDER ±0.25	CHECKED BY K. TAKAHASHI	DATE 06/01/13		
					30 OVER ±0.3	APPROVED BY H. HIRATA	DATE 06/01/13		
					ANGULAR ±1 °	MATERIAL NO. 501864-**21	DOCUMENT NO. SD-501864-004		SHEET NO. 2 OF 2
					DRAFT WHERE APPLICABLE MUST REMAIN WITHIN DIMENSIONS	SIZE A3	THIS DRAWING CONTAINS INFORMATION THAT IS PROPRIETARY TO MOLEX INCORPORATED AND SHOULD NOT BE USED WITHOUT WRITTEN PERMISSION		