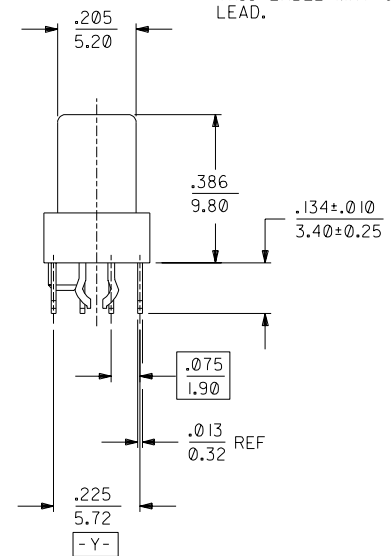
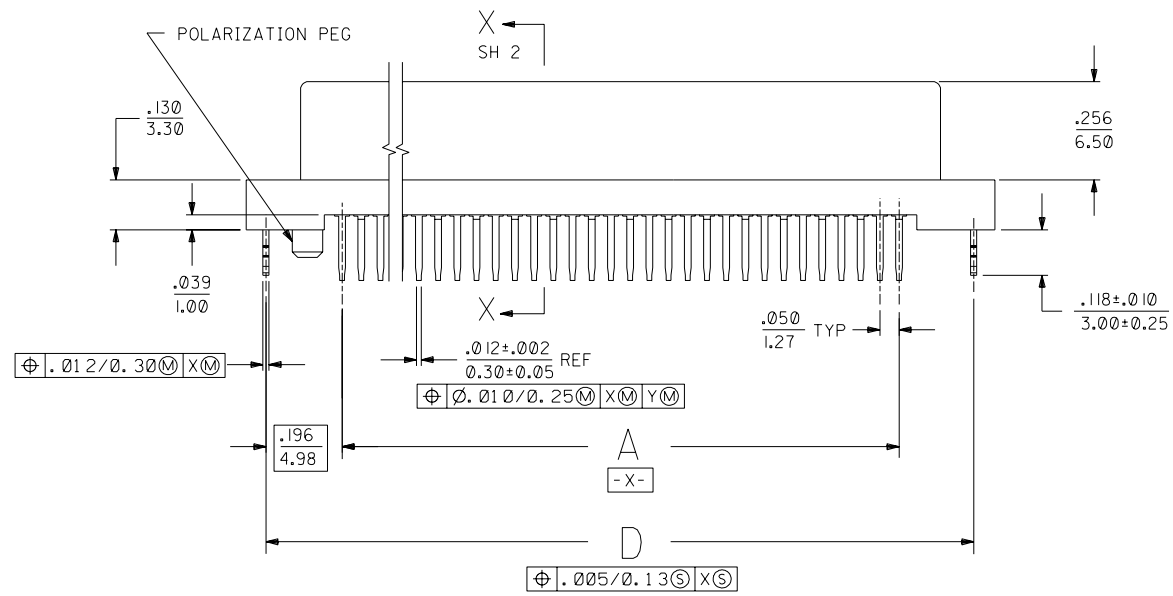


NOTES:

- 1) MATERIALS:
HOUSING- LCP, GLASS FILLED, 94V-0, BLACK.
TERMINALS- COPPER ALLOY
METAL PEGS- COPPER ALLOY
 - 2) PLATING:
.000030 INCHES MINIMUM GOLD IN SELECTIVE CONTACT AREA
OVER .000050 INCHES MINIMUM NICKEL IN CONTACT AREA.
.000100 INCHES MINIMUM TIN IN SOLDER TAIL AREA.
 - 3) ASSEMBLY MATES WITH MOLEX P/N SDA-71661-****.
CONFORMS TO PRODUCT SPECIFICATION PS-71660.
- ⚠ RECOMMENDED P.C. BOARD THICKNESS IS .062 (1.6).
- ⚠ CONNECTOR WILL ACCEPT MATING TO A P.C. BOARD WITH A THICKNESS OF .062±.003.

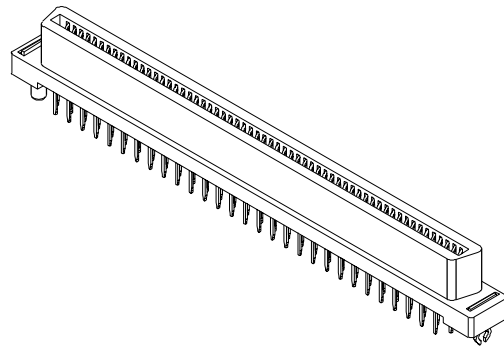
NOTE FOR LEAD FREE CONVERSION:

THE PRIMARY SHIPPING CARTON WILL BE LABELED "COMPLIANT TO RoHS DIRECTIVE 2002/95/EC AND ELV ANNEX II OF DIRECTIVE 2000/53/EC". CARTONS WITHOUT THIS LABEL MAY CONTAIN PRODUCT WITH LEAD.

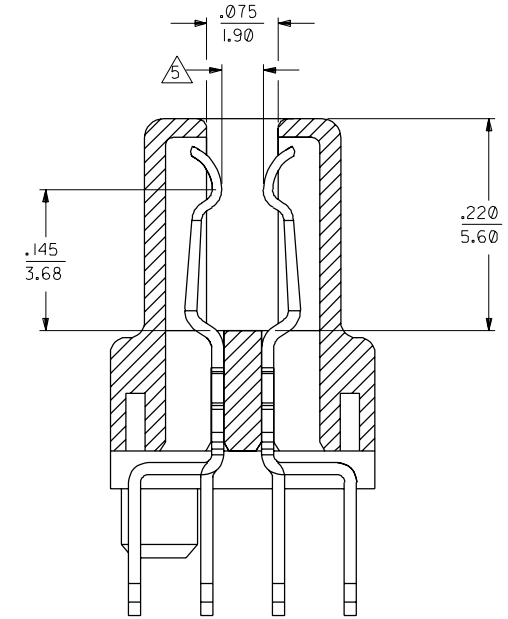


| | |
|---|--|
| D | LEAD FREE CONV ECN UCP2004-2096 RKADAMS 04/04/23 |
| C | REVISED ECN LDT 2000-1231 ACHAMMER 00/06/07 |
| B | REVISED PER ECN U40506 4-15-94 RAN |
| A | INITIAL RELEASE PER ECN U31655 11-5-93 RAN |

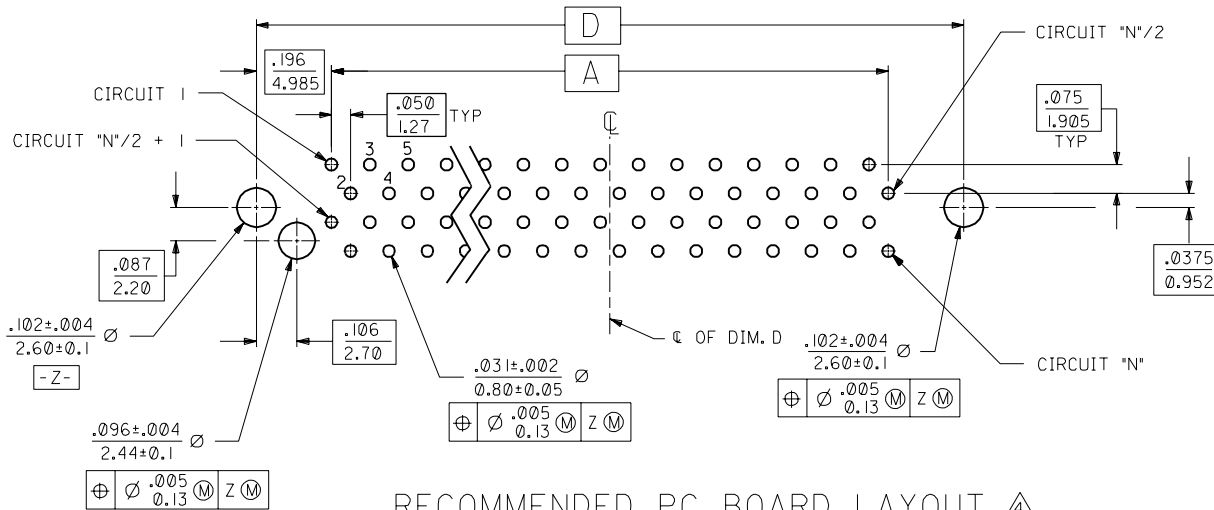
| | | | | | | | |
|--|--|--------------------|--|--|--|--|--|
| DIMENSIONS SHOWN (METRIC) INCH UNLESS OTHERWISE SPECIFIED TOLERANCES: ANGULAR ± 1/2° | | ▽ = 0 | | = 0 | | REVISE ONLY ON CAD SYSTEM | |
| 3 PLACE ± .005 --- | | INCH | | METRIC | | TITLE | |
| 2 PLACE ± .01 ± 0.13 | | --- | | --- | | SALES ASSEMBLY EBBI 50D VERTICAL RCPT W/O CTR BOARD LOCK | |
| 1 PLACE --- ± 0.25 | | --- | | --- | | DATE | |
| DRAFT WHERE APPLICABLE MUST REMAIN WITHIN DIMENSIONS | | MOLEX INCORPORATED | | SHEET NO. 1 OF 2 | | DATE 11 / 5 / 93 | |
| PART NO. SDA-71660-95** | | LITSL,ILL. 60532 | | U.S.A. | | DIV. C | |
| DRAWN BY RAN | | CHK'D BY RAN | | SCALE 4: 1 | | FILE NAME 57166095 | |
| APPROV. BY CAB | | SCALE 4: 1 | | THIS DRAWING CONTAINS INFORMATION THAT IS PROPRIETARY TO MOLEX INC. AND SHOULD NOT BE USED WITHOUT WRITTEN PERMISSION. | | SIZE C | |



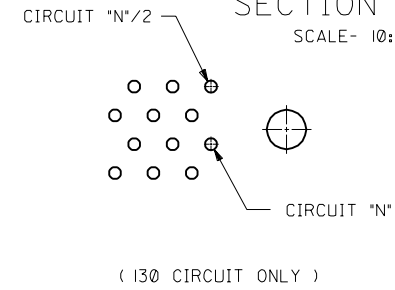
120 CIRCUIT ASSEMBLY SHOWN
SCALE 2:1



SECTION X-X
SCALE- 10:1



RECOMMENDED PC BOARD LAYOUT Δ
COMPONENT SIDE
(120 CIRCUIT ONLY)



(130 CIRCUIT ONLY)

| | | | | | |
|---------------|---------------|---------------|---------------|-----------|-------------|
| 3.592 (91.25) | 3.699 (93.95) | 3.418 (86.82) | 3.200 (81.28) | 130 | 71660-9530 |
| 3.342 (84.90) | 3.449 (87.60) | 3.168 (80.47) | 2.950 (74.93) | 120 | 71660-9520 |
| D | C | B | A | CKT ("N") | ITEM NUMBER |

| | |
|---|-------------|
| C | SEE SHEET 1 |
|---|-------------|

| | | | | | |
|--|------------|---|------------------------|---------------------------|--|
| DIMENSIONS SHOWN (METRIC) INCH | | UNLESS OTHERWISE SPECIFIED TOLERANCES ANGULAR $\pm 1/2^\circ$ | | REVISIONS | |
| INCH | | METRIC | | MFG. SH. REV. LTR. | |
| 3 PLACE | $\pm .005$ | --- | --- | REVISE ONLY ON CAD SYSTEM | |
| 2 PLACE | $\pm .01$ | ± 0.13 | --- | TITLE | |
| 1 PLACE | --- | ± 0.25 | --- | SALES ASSEMBLY | |
| DRAFT WHERE APPLICABLE MUST REMAIN WITHIN DIMENSIONS | | | E8BI 50D VERTICAL RCPT | | |
| PART NO. SEE TABLE | | | W/O CTR BOARD LOCK | | |
| DRAWN BY: RAN | | | SHEET NO. 2 | | |
| CHK'D BY: RAN | | | DATE 11 / 5 / 93 | | |
| APP'D BY: CAB | | | MOLEX INCORPORATED | | |
| SCALE: 4:1 | | | U.S.A. | | |
| FILE NAME: S7165095 | | | DIV. C | | |
| THIS DRAWING CONTAINS INFORMATION THAT IS PROPRIETARY TO MOLEX INC. AND SHOULD NOT BE USED WITHOUT WRITTEN PERMISSION. | | | SIZE 5 | | |