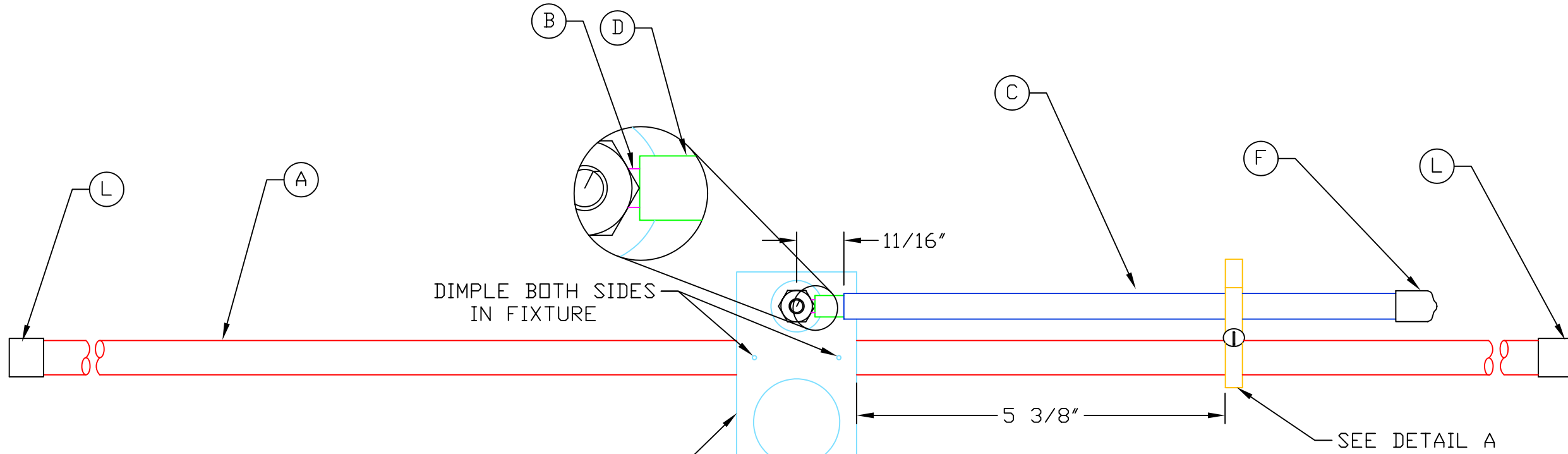
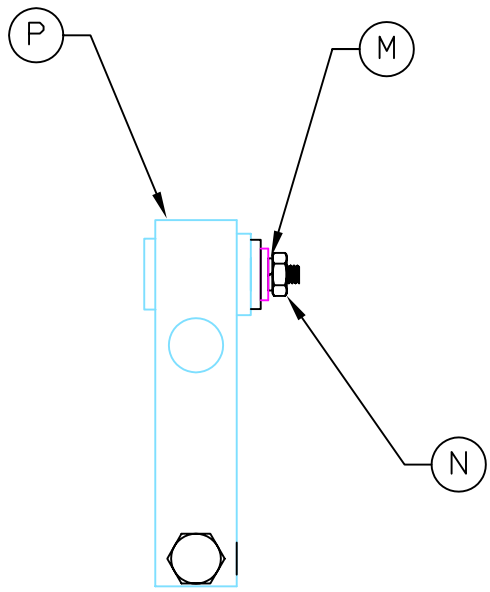


REVISION			
LTR	DESCRIPTION	DATE	INITIAL
AA	ORIGINAL	5-27-98	MT
AB	ADDED DIMPLE TO BLOCK (ECR#284)	1-27-00	AMA



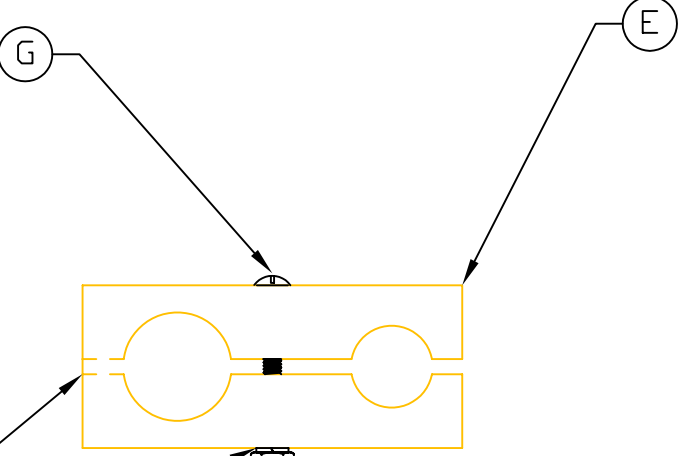
SEE DETAIL B

SEE DETAIL A



DETAIL B

INSERT HARDWARE & THEN SAW SLOT



DETAIL A

P	180599	1	AL CONN BLK PLC U DIPOLE
N	010011	2	NUT HEX 18-8SS 8-32
M	011941	2	WASHER SPLIT LOCK 18-8SS
L	050053	2	CAP PLAS. BLK 1/2" 1/2"
K	010085	1	NUT HEX 18-8SS 1/4-20
J	010084	1	WASHER SPLIT LOCK 18-8SS
H	010212	1	SCREW CAP HEX HEAD 18-8SS
G	010229	1	SCREW MACHINE RH SLOTTED
F	050251	1	CAP WHITE TRIMLINE 3/8"
E	200930	1	CM AL RM PLC UHF 1/2 3/8
D	RMPT4-1/2	1	RM POLY TUBE
C	RMT8-1/2	1	RM TUBE
B	RMR3-11/16	1	RM ROD
A	060635	33 3/16	ALUM. TUBE 1/2"
MARK	PART #	QTY.	DESCRIPTION

MATERIAL:	DRAWN M. TURNER	DATE 5-27-98	<h1>CUSHCRAFT</h1> 48 PERIMETER ROAD MANCHESTER NH. 03108
	ENGINEER D HORVAT	DATE 7-1-98	
DO NOT SCALE DRAWING	ENGINEERING MGR A ALEVY	DATE 7-20-98	TITLE: <h2>DRIVEN ELEMENT</h2>
UNLESS OTHERWISE SPECIFIED TOLERANCES ARE:	FINISH:		DRAWING NO. PLC1669E2
ANGLES ± 0.5° FRACTIONS ± 1/64" .XX ± 0.010" .XXX ± 0.005"			REV AB
	SCALE 1:2	SIZE B	SHEET 1 OF 1

CONFIDENTIAL
 © 1997, Cushcraft Corporation. Information contained in this document is of a proprietary and/or legally privileged nature. It may not be reproduced without express written permission of Cushcraft Corporation, Manchester, NH.