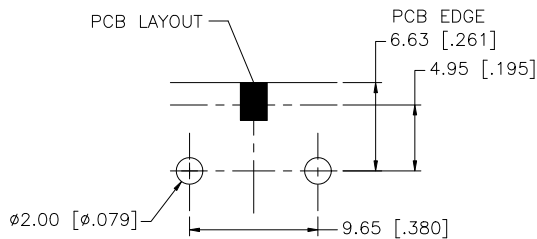
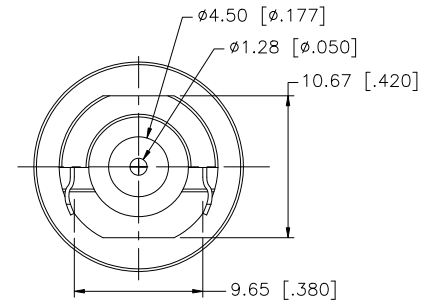
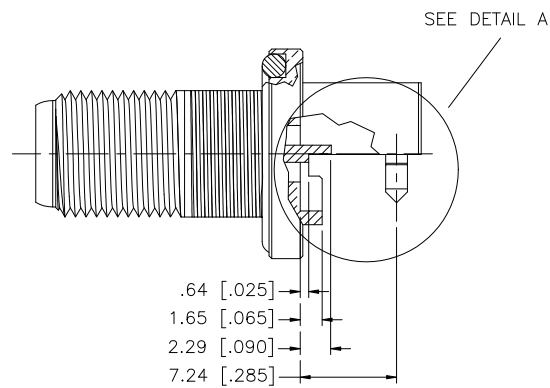
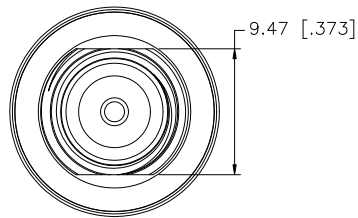
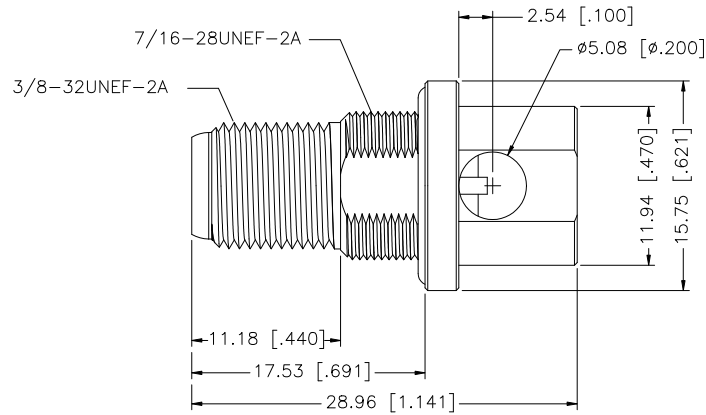
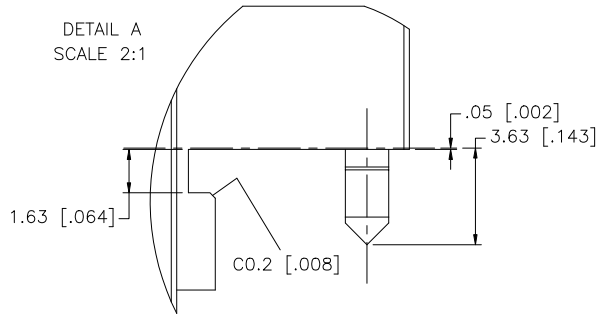


REV.	DATE	ECR NO.	DESCRIPTION
NC	12/29/08	-	INITIAL RELEASE



NOTE:

1. CENTER CONTACT TO ACCEPT MALE MATING CONTACTS FROM .022" [0.56] TO .041" [1.06].

REV.	DATE	ECR NO.	DESCRIPTION
NC	12/29/08	-	INITIAL RELEASE
8			
7			
6			
5	GASKET	SILICONE	RED 1
4	CONTACT PIN	BER. COPPER	GOLD 1
3	INSULATOR	PTFE	NATURAL 1
2	LEGS	S.S.	PASSIVATED S.S. 2
1	HOUSING	BRASS	NICKEL 1
	DESCRIPTION	MATERIAL	FINISH QTY
			DO NOT SCALE DRAWING
APPROVALS		DATE	
DRAWN GRS		12/29/08	
CHECKED			
ISSUED			
SHEET 1 OF 1			
CAD FILE		C:/222/222202-10.DWG	
<b>Amphenol Connex</b>			
PART DESCRIPTION			
F END LAUNCH RECEPTACLE JACK			
PART NO.			
222202-10			
DWG. NO.	222202-10.DWG	REV. NC	SIZE A SCALE NA

UNLESS OTHERWISE SPECIFIED DIMENSIONS ARE IN MILLIMETERS. DIMENSIONS IN [ ] ARE IN INCHES AND FOR CUSTOMER REFERENCE ONLY.

UNLESS OTHERWISE SPECIFIED TOLERANCES FOR MILLIMETERS ARE:  
0.5 - 8mm ± 0.20mm  
8 - 30mm ± 0.40mm  
30 - 120mm ± 0.50mm

UNLESS OTHERWISE SPECIFIED TOLERANCES FOR INCHES ARE:  
.020 - .315 = ± 0.007"  
.315 - 1.180 = ± 0.015"  
1.180 - 4.724 = ± 0.020"