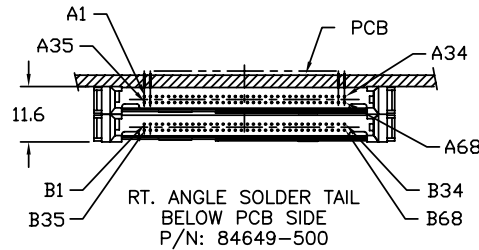
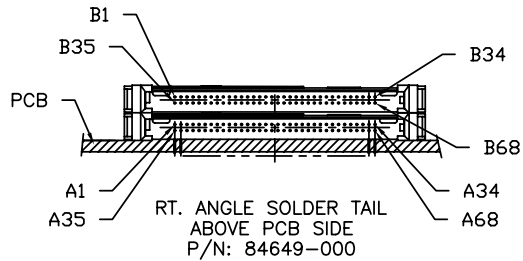
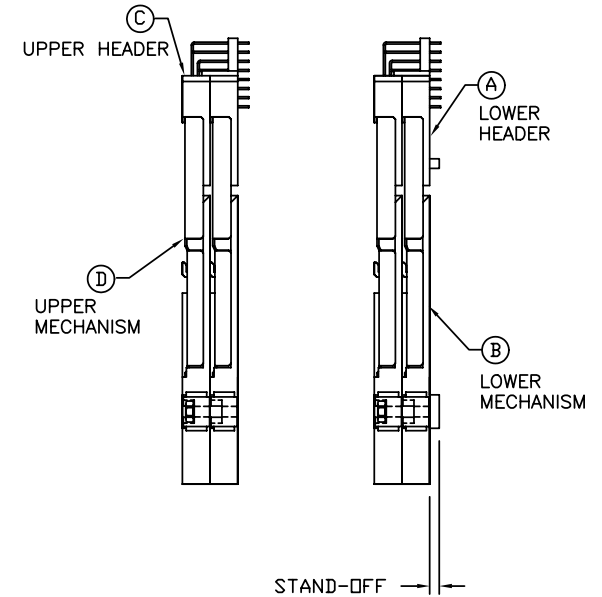
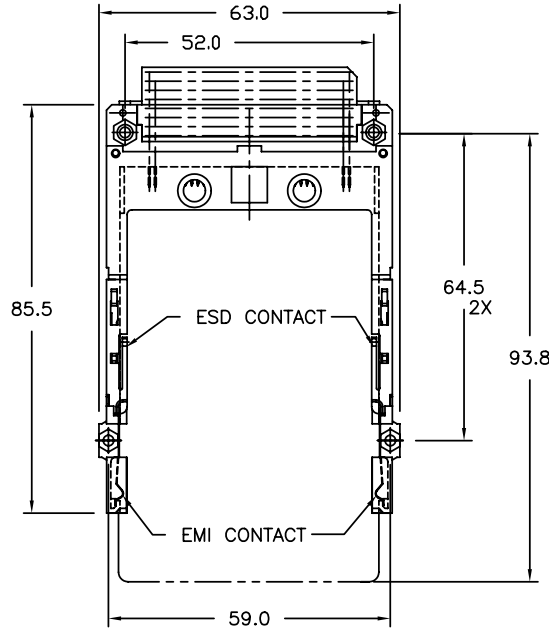
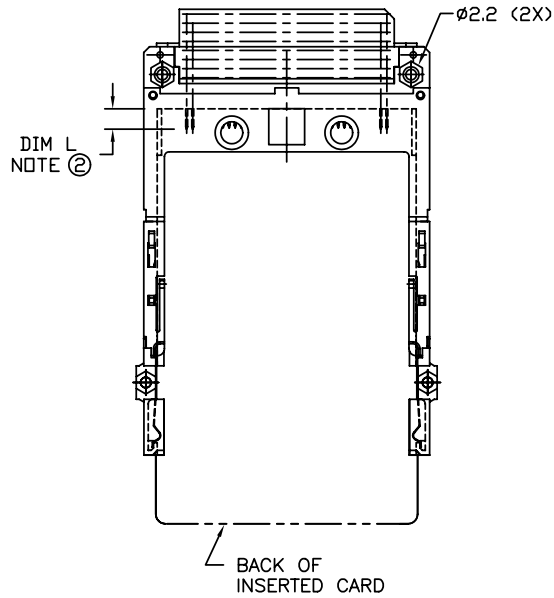


Tous droits strictement reserves. Reproduction ou communication a des tiers interdite sous quelque forme que ce soit sans autorisation ecrite du proprietaire. Propriete de c FCI. Droits de reproduction FCI.



All rights strictly reserved. Reproduction or issue to third parties in any form whatever is not permitted without written authority from the proprietor. Property of FCI. Copyright FCI.

PCMCIA COMPONENTS:
DOUBLE DECK ASSEMBLY



- REFER TO HEADER DRAWING 94898 AND NON-EJECT MECHANISM 92791 FOR ADDITIONAL DIMENSIONS, MATERIAL, AND PLATING INFORMATION.
- RECOMMENDED SCREW TORQUE: 1.0 TO 1.5 MAX in-lbs. (1.2-1.7 cm-kgs).

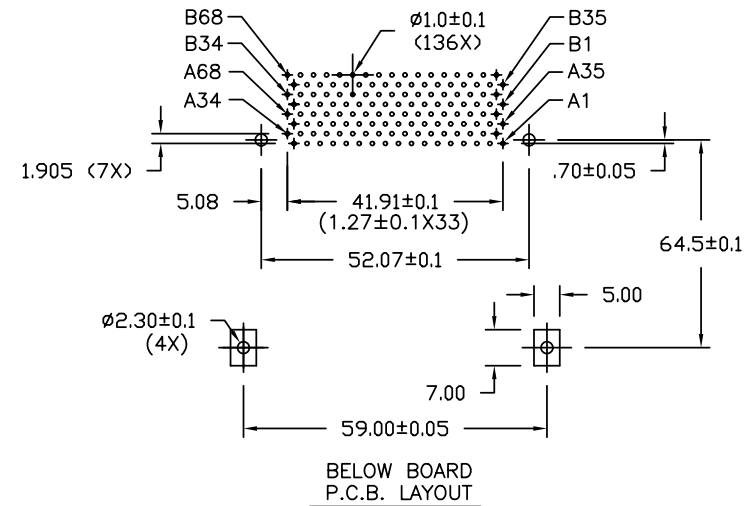
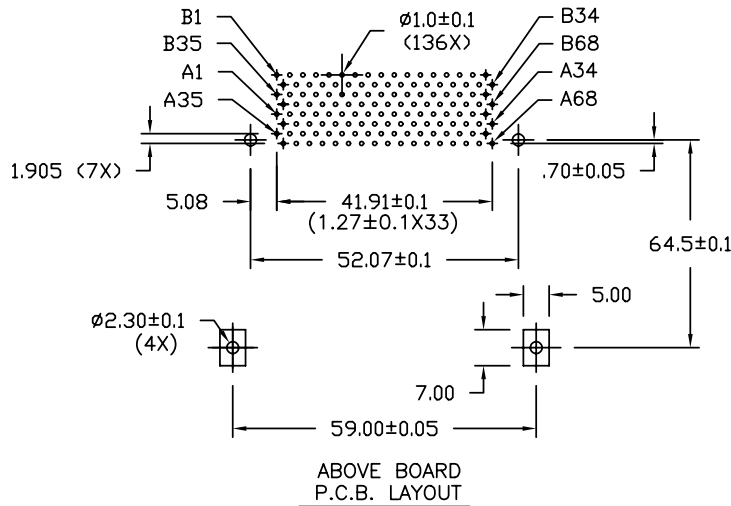
mat'l. code				tolerances unless otherwise specified		CUSTOMER COPY	FCI www.fciconnect.com			
ltr	ecn no	dr	date	linear	.X±.3			projection MM	title 3.3V DOUBLE DECK NON-EJECT HEADER ASS'Y	
A	V81226	RHG	6/22/98		.XX±.13					
B	V12164	TFG	8/17/01		.XXX±.051					
C	V03-0517	WL	05/29/03	angles	0° ±2°	scale 1:1	product family MCS			
D	N09-0148	SH	05/14/09	dr	R.GRAPE 6/22/98			size A4	code 84649	
				enr	D.BRANN 6/22/98					sheet 1 of 2
				chr	D.BRANN 6/22/98					
				appd	D.BRANN 6/22/98					
sheet index	revision sheet	C	C							
		1	2							

PDM: Rev:D 3

STATUS Released
cage code 82520
Printed: Oct 12, 2010

PCMCIA COMPONENTS: DOUBLE DECK ASSEMBLY

PCB SIDE ①	STANDOFF (MM)	LOWER DECK		UPPER DECK		TO MAKE FINAL ASSY PART NUMBER	MOUNTING STYLE TO P.C.B.
		Ⓐ HEADER	Ⓑ MECHANISM	Ⓒ HEADER	Ⓓ MECHANISM		
ABOVE	NONE	94898-000	92791-001	94898-005	92791-001	84649-000	
ABOVE	NONE	94898-000LF	92791-001	94898-005LF	92791-001	84649-000LF	
ABOVE	2	94898-040	92791-021	94898-045	92791-001	84649-020	
BELOW	NONE	94898-500	92791-001	94898-505	92791-001	84649-500	
BELOW	2	94898-540	92791-021	94898-545	92791-001	84649-520	



NOTES:

- ① PCB SIDE IS AS APPEARS INSTALLED.
- ② DIM L

4.25±0.1	3.5±0.1	5.0±0.1
OTHERS	36,67	1,17,34,35,51,68

mat'l. code				tolerances unless otherwise specified		CUSTOMER COPY			
ltr	ecn no	dr	date	linear	.X±.3	projection	title		
D					.XX±.13		3.3V DOUBLE DECK NON-EJECT HEADER ASS'Y		
				angles	.XXX±.051	MM	product family	MCS	code
				dr	0° ±2°	scale	size	dwg no	sheet
				enr	R.GRAPE 6/22/98	1:1	A4	84649	2 of
				chr	D.BRANN 6/22/98				
				appd	D.BRANN 6/22/98				
sheet index	revision sheet								

Tous droits strictement reserves. Reproduction ou communication a des tiers interdite sous quelque forme que ce soit sans autorisation ecrite du proprietaire. Propriete de c FCI. Droits de reproduction FCI.



All rights strictly reserved. Reproduction or issue to third parties in any form whatever is not permitted without written authority from the proprietor. Property of FCI. Copyright FCI.