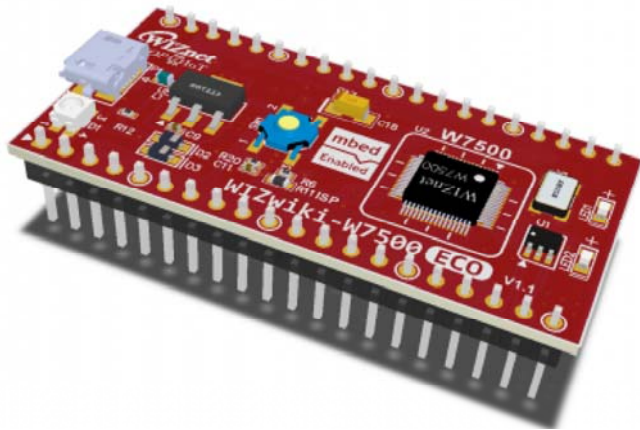




## Document Wiki

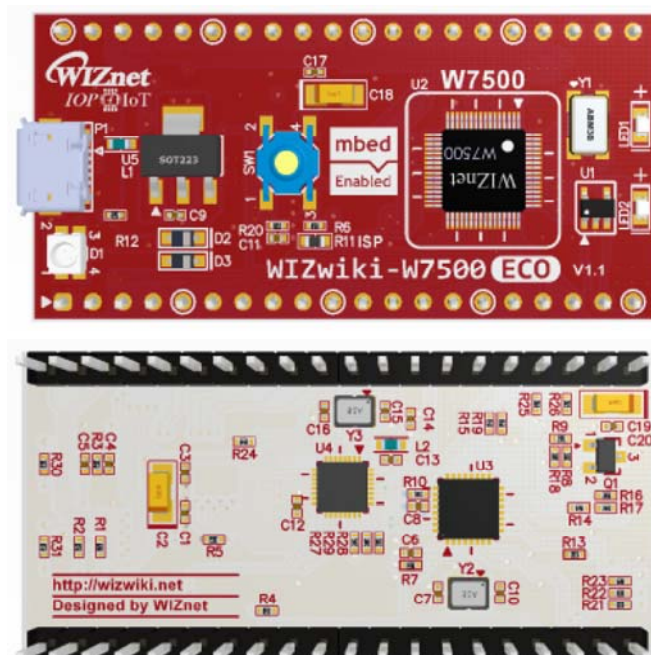
---

### WIZwiki-W7500ECO



### WIZwiki Platform

WIZnet WIZwiki-W7500ECO is a WIZwiki platform board based on W7500. The IOP4IoT W7500 chip is one-chip solution which integrates an ARM Cortex-M0, 128KB Flash and hardwired TCP/IP core for various embedded application platform especially internet of things. You can develop prototype product more quickly using WIZwiki-W7500ECO and it includes CMSIS-DAP for debugging and ethernet-phy.



## Features

### WIZnet W7500

- ARM Cortex-M0 Core
- 48MHz, 128KB Flash
- 16KB RAM
- 32KB RAM for TCP/IP - Can be extended to system RAM
- Hardwired TCP/IP Core
- MII Interface
- ADC (8)
- GPIO (53)
- SWD (Serial Wire Debug)
- Timer/PWM
- UART (3)
- SPI (2)
- I2C (2)

### External Ethernet PHY

- IC+ IP101GRI
- Single Port 10/100 MII/RMII/TP/Fiber Fast Ethernet Transceiver
- Auto MDI/MDIX function
- Supports MDC and MDIO to communicate with the MAC

### CMSIS-DAP

- LPC11U35FHI33/501, ARM Cortex-M0 Core, NXP
- Drag-n-drop programming
- USB Serial Port
- Easy to use C/C++ SDK

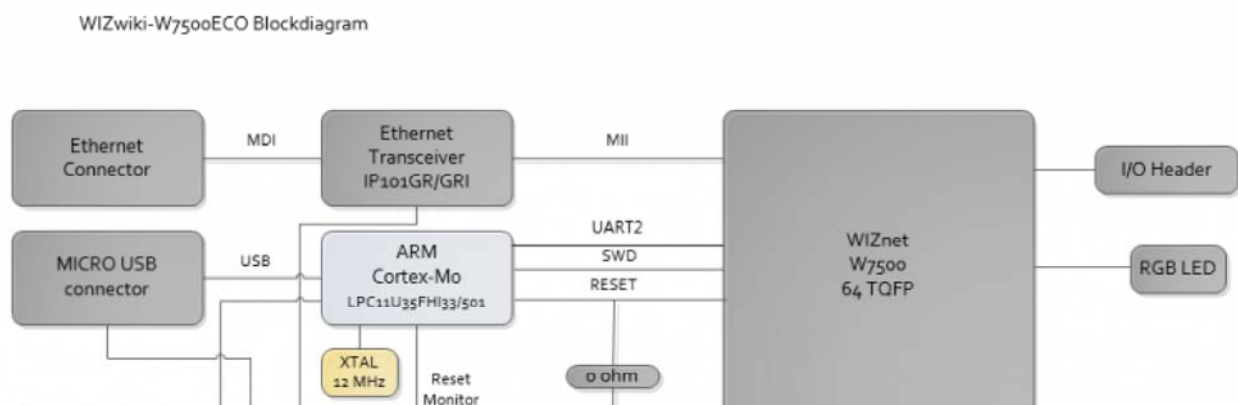
### Connector

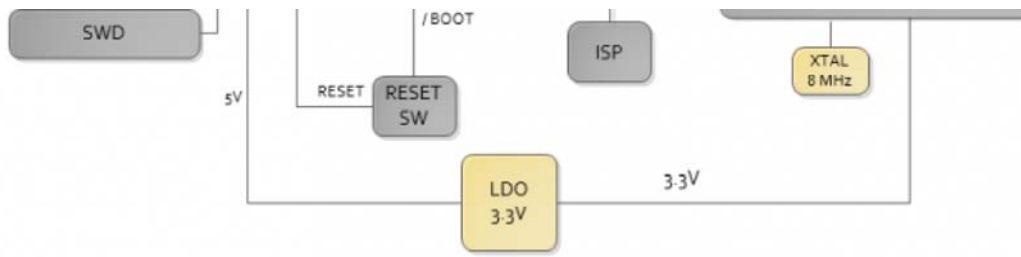
- Micro USB
- Slim Size RJ45(with transformer)
- GPIO Header

### ETC

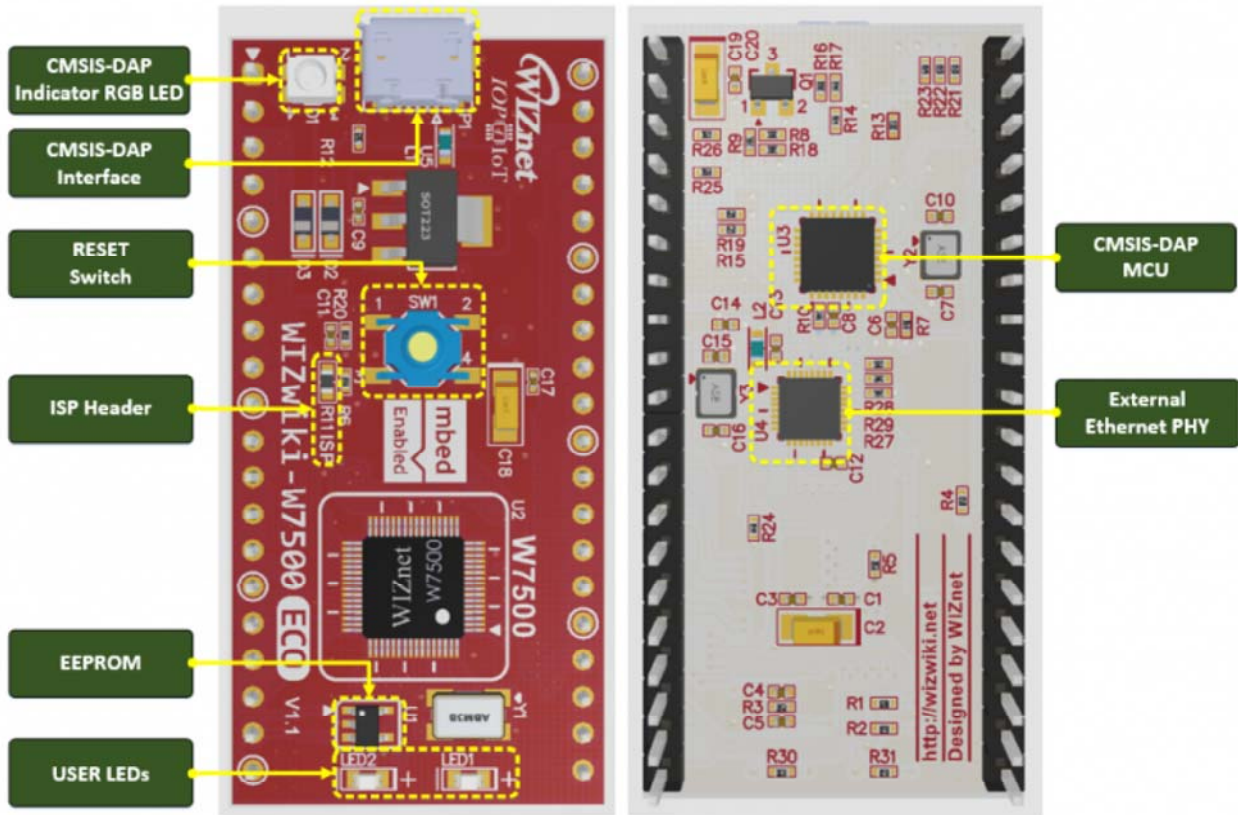
- Power source - micro USB or external 5V pin
- 1 RESET SW.
- RGB LED for CMSIS-DAP
- 2 Blue LED for USER
- 2 2.54mm 1×20 External connector

### WIZwiki-W7500ECO Blockdiagram

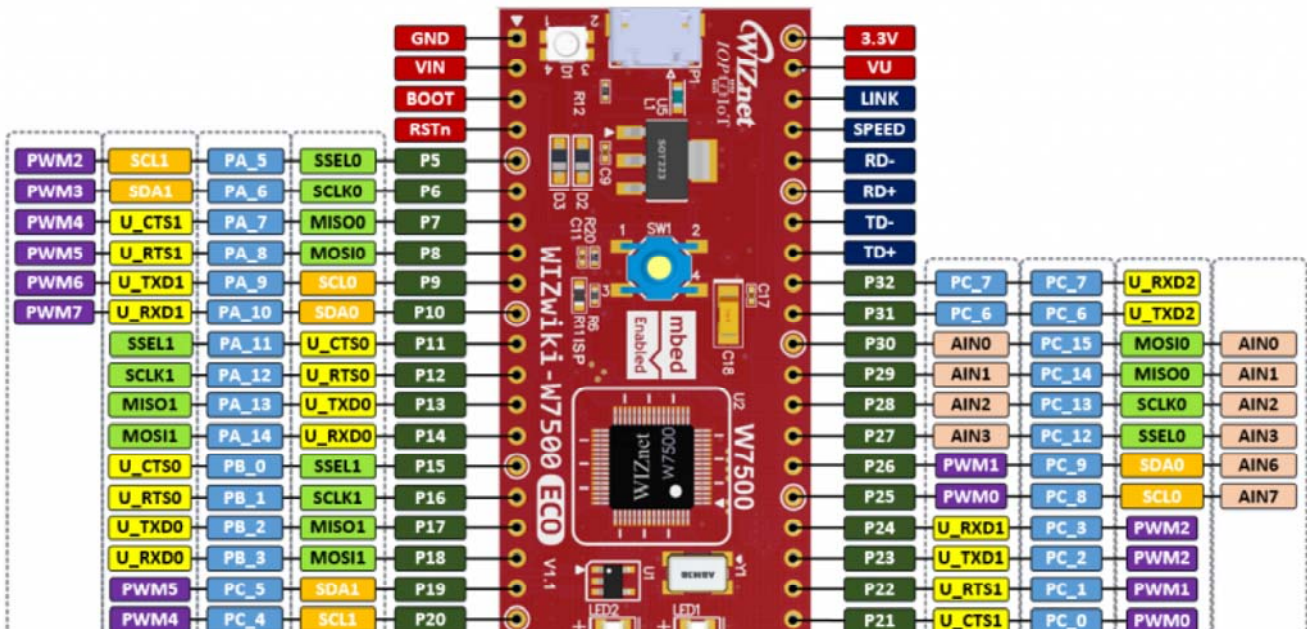




WIZwiki-W7500ECO Callout

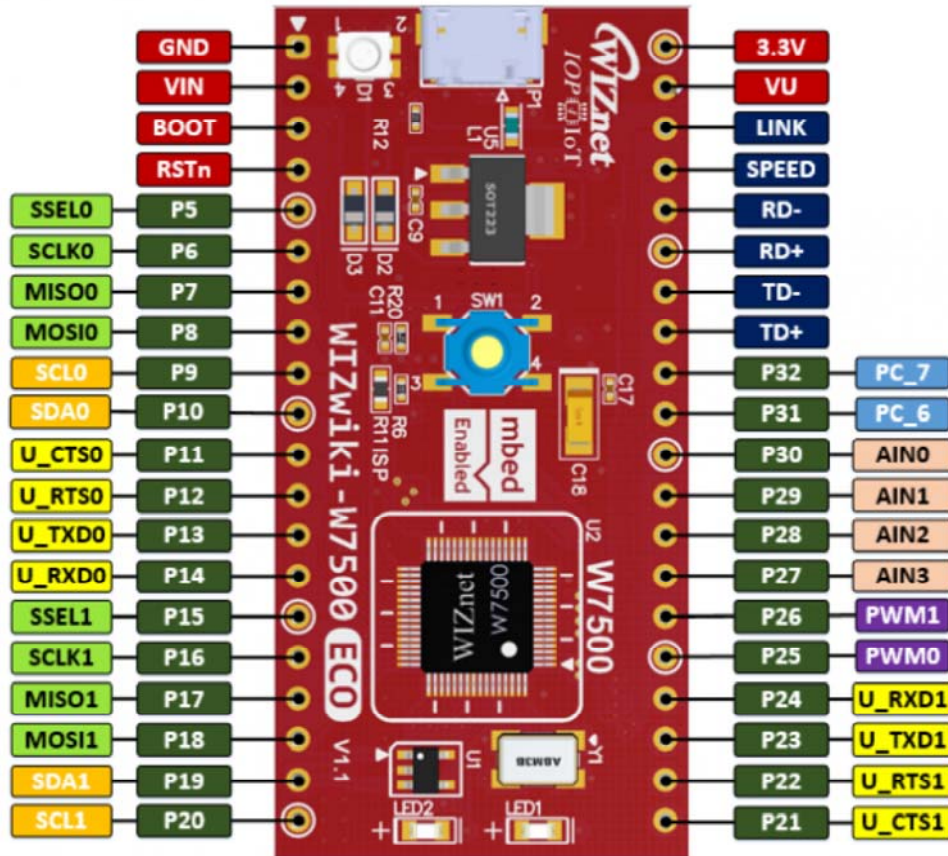


WIZwiki-W7500ECO Detail Pinout





### WIZwiki-W7500ECO Simple Pinout



## Firmware

### W7500 Library

- [W7500 Library PAGE](#)

## Getting Started

- [How to start WIZwiki-W7500ECO Board](#)
- [How to install WIZwiki-W7500ECO serial driver](#)
- [How to write the firmware into WIZwiki-W7500ECO](#)
- [How to debug WIZwiki-W7500ECO](#)
- [How to write the firmware into CMSIS-DAP](#)

## Make New WIZwiki-W7500ECO Projects

- [How to install KEIL uVision5](#)
- [How to create KEIL uVision5 new project for W7500](#)
- [How to use MDK for W7500 Peripherals Examples](#)
- [How to use gcc for W7500 Peripherals Examples](#)

## Technical Reference

## Datasheet

- W7500 Documents [<http://wizwiki.net/wiki/doku.php?id=products:w7500:documents>]
- IP101GRI Datasheet [[http://www.bdtic.com/DataSheet/ICplus/IP101G\\_DS\\_R01\\_20121224.pdf](http://www.bdtic.com/DataSheet/ICplus/IP101G_DS_R01_20121224.pdf)]
- LPC11U35FHH33/501 Datasheet [[http://www.nxp.com/documents/data\\_sheet/LPC11U3X.pdf](http://www.nxp.com/documents/data_sheet/LPC11U3X.pdf)]

## Schematic

- Schematic Version 1.1
- WIZwiki-W7500eco V1.1 Schematic (Altium Designer)
- WIZwiki-W7500eco V1.1 Schematic (PDF)

## Part list

- WIZwiki-W7500eco V1.1 BOM (PDF)

## Dimension

- WIZwiki-W7500ECO V1.1 Dimension

