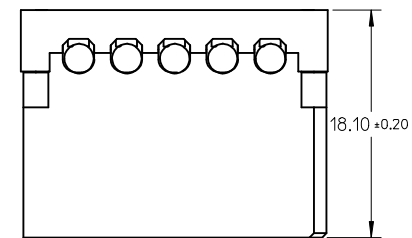
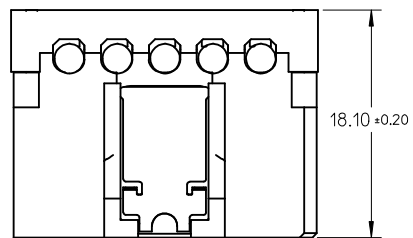
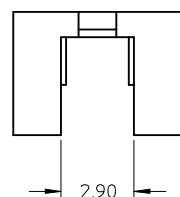
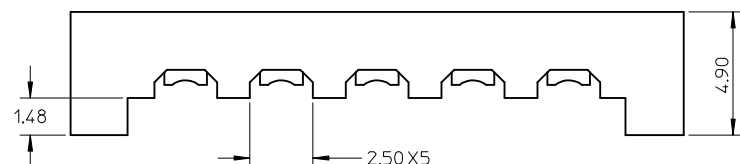
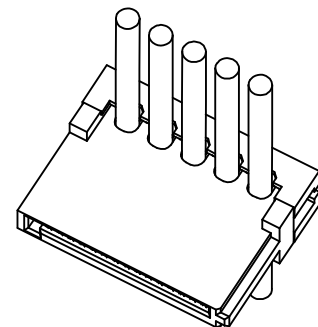
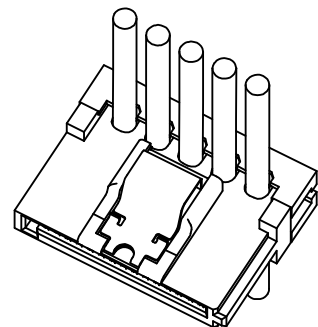
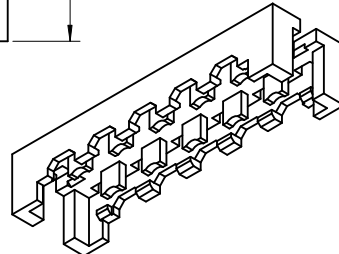
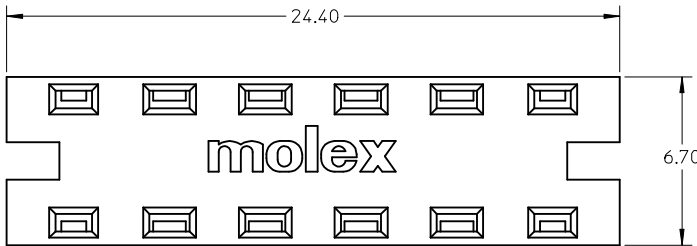


10 9 8 7 6 5 4 3 2 1



APPLICATION FOR WITH LATCH TYPE

APPLICATION FOR WITHOUT LATCH TYPE

P/N	REMARK
67926-0041	NON HALOGEN-FREE
67926-0841	HALOGEN-FREE

NOTE
 1 MATERIAL: THERMAL PLASTIC, COLOR : BLACK UL94V-0.
 2 THIS COVER IS FEED THROUGH TYPE, IT IS AVAILABLE FOR 67926-000*/002*(WITH LATCH), 67926-001*(WITHOUT LATCH).
 3 PACKAGE SPEC:
 3.1 1000 PCS IN ONE BAG.
 3.2 3000 PCS(3 PAGES) IN ONE INNER CARTON.
 3.3 12,000 PCS(4 INNER CARTONS) IN ONE OUTER CARTON.

ADD PART NUMBER EC NO: SH2009-0536 DRAWN: XJ SONG 2009/05/05 CHKD: XJ SONG 2009/06/19 APPR: HWANG 2009/06/23	QUALITY SYMBOLS	GENERAL TOLERANCES (UNLESS SPECIFIED)	DIMENSION STYLE		SCALE	DESIGN UNITS	THIRD ANGLE PROJECTION
	▽=0		mm	INCH	5:1	METRIC	
	∇=0		DRAWN BY DATE		TITLE		
	REV		MATERIAL NO.		DOCUMENT NO.		

4 PLACES	± ---	± ---
3 PLACES	± ---	± ---
2 PLACES	± 0.15	± ---
1 PLACE	± 0.25	± ---
ANGULAR ± 1 °		
DRAFT WHERE APPLICABLE MUST REMAIN WITHIN DIMENSIONS		

CHECKED BY DATE	YAJUN 2004/04/25
APPROVED BY DATE	SAM 2004/04/25
SEE TABLE	

COVER FOR SATA POWER CONNECTOR IDT TYPE	
MOLEX INCORPORATED	
SD-67926-004	SHEET NO. 1 OF 1
THIS DRAWING CONTAINS INFORMATION THAT IS PROPRIETARY TO MOLEX INCORPORATED AND SHOULD NOT BE USED WITHOUT WRITTEN PERMISSION	

9 8 7 6 5 4 3 2 1