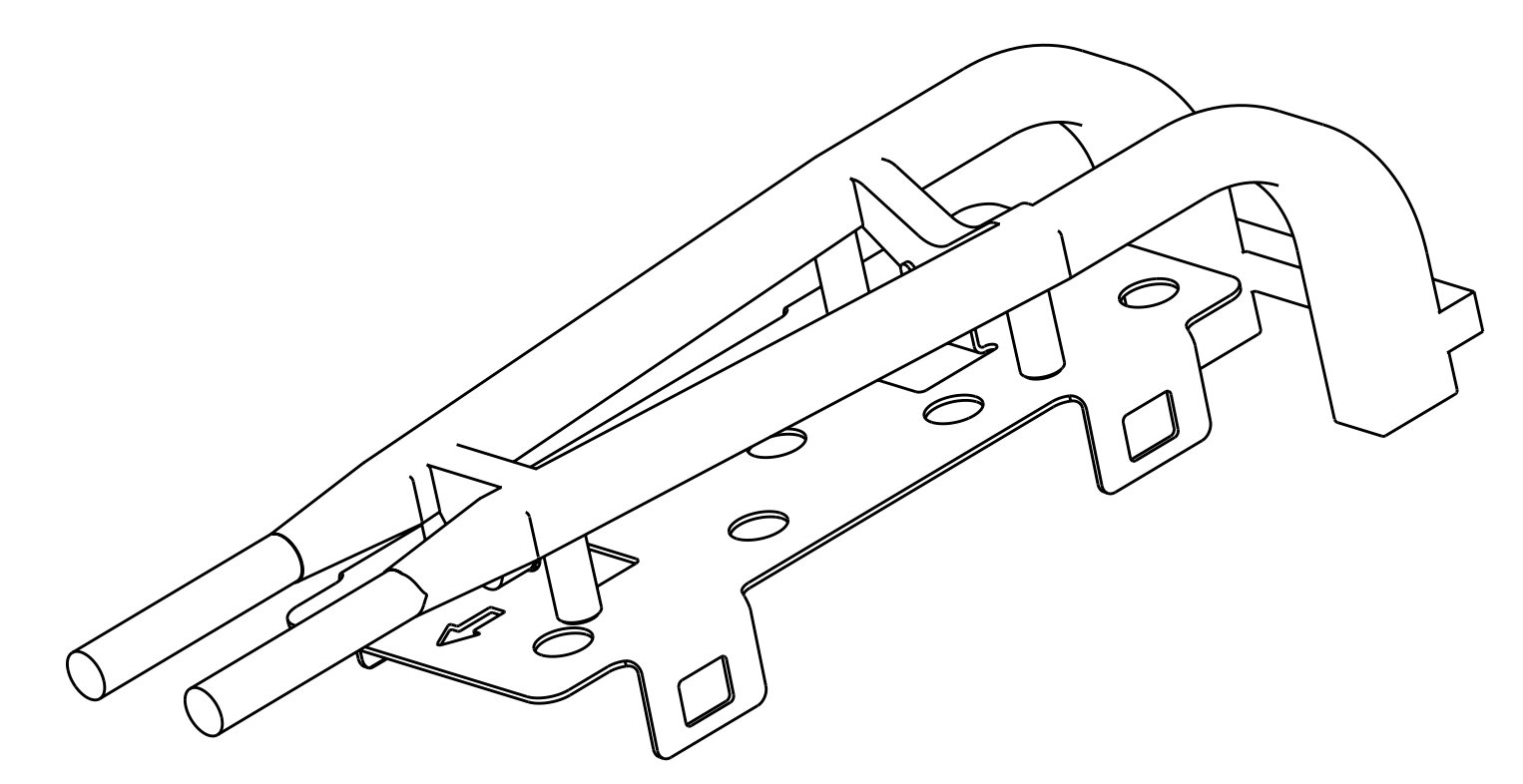
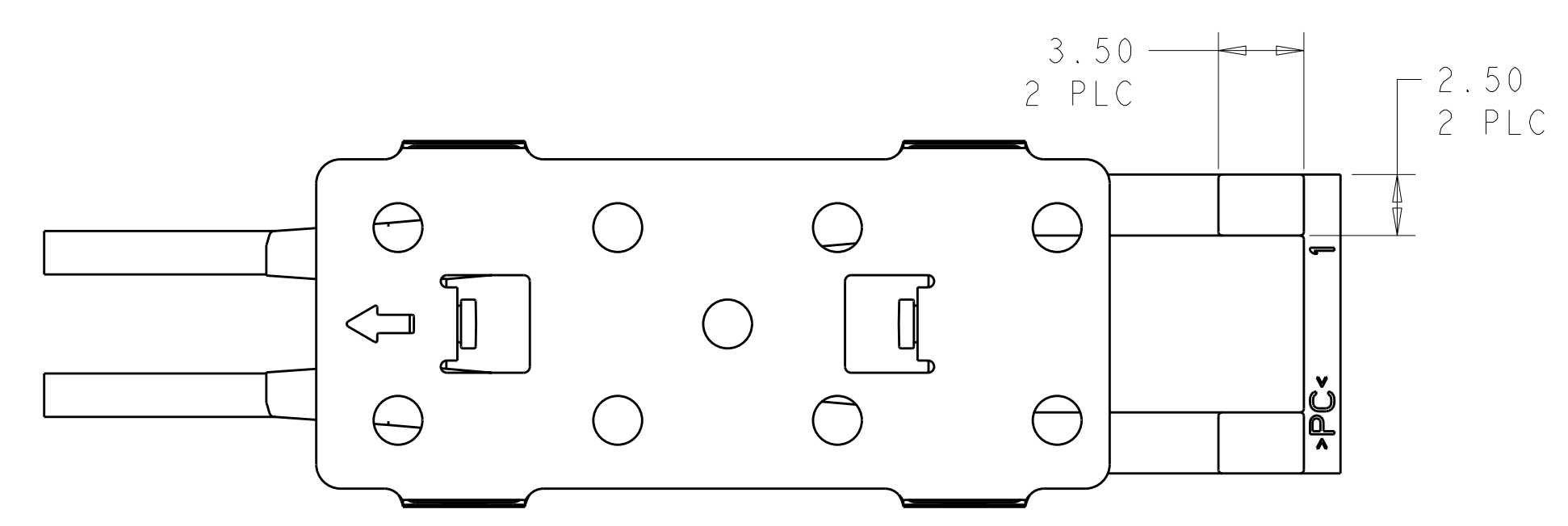
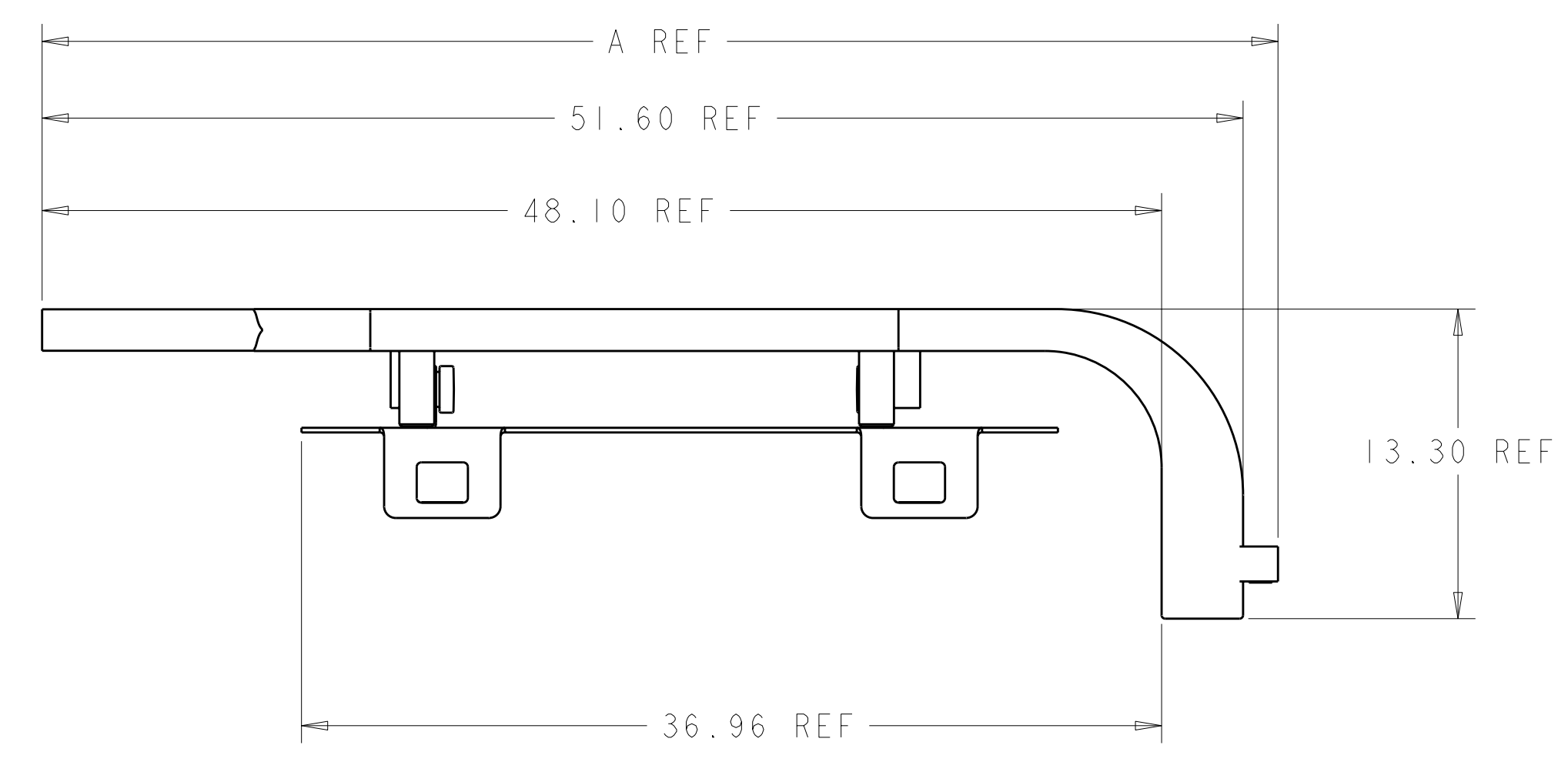
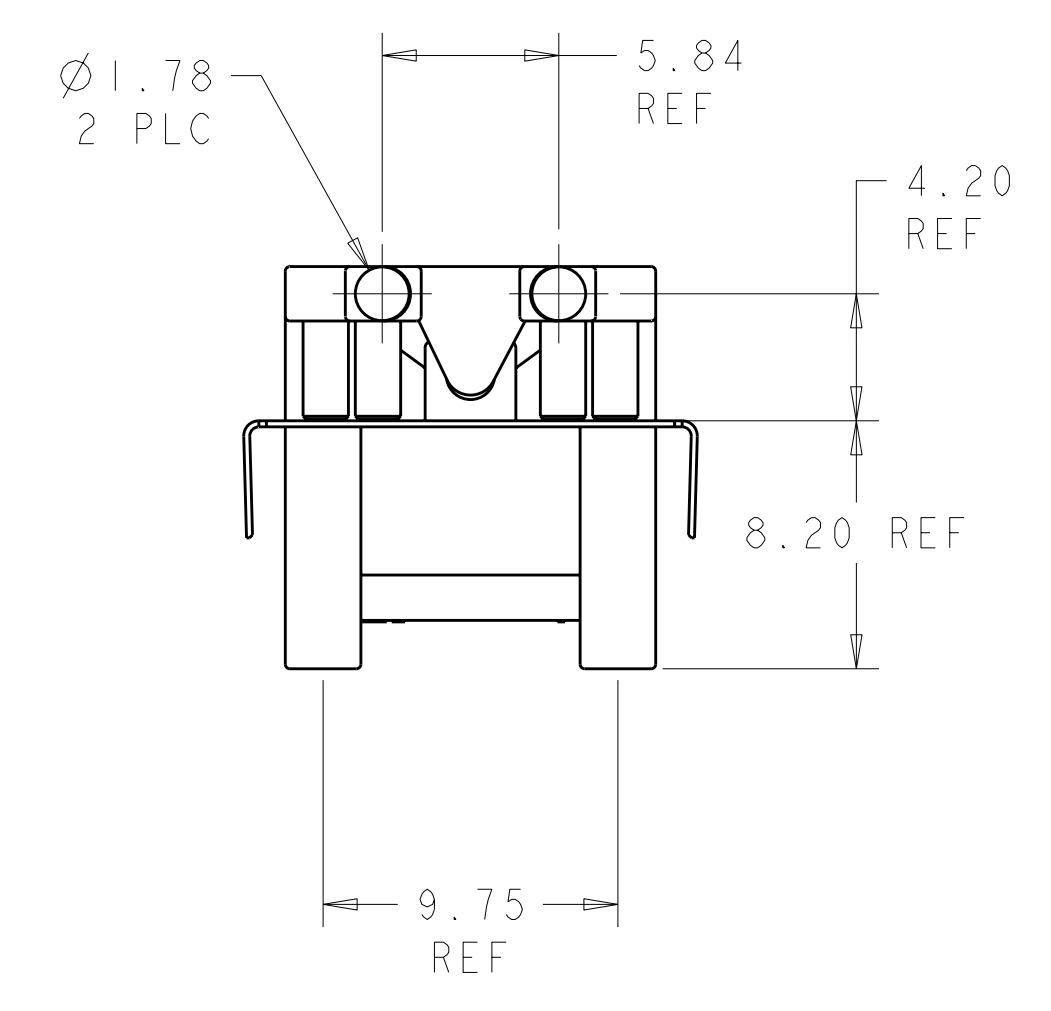
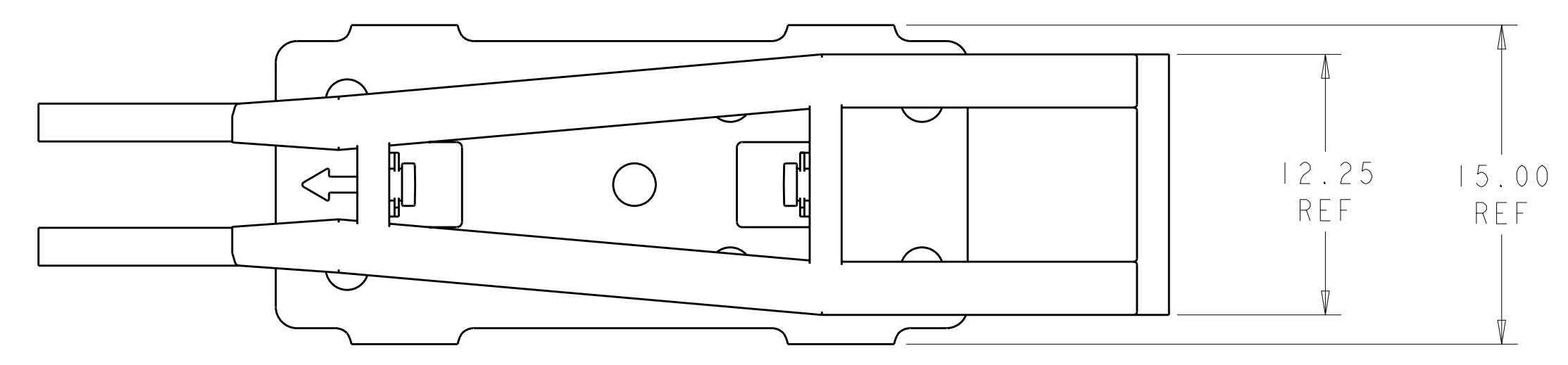


| LOC | DIST | REVISIONS | | | | | |
|-----|------|-----------|-----|---------------------------|-----------|-----|------|
| ES | 00 | P | LT# | DESCRIPTION | DATE | DWN | APVD |
| | | B | | ECO-08-002182 | 14JAN08 | ML | SY |
| | | C | | REVISED PER ECO-12-003825 | 17FEB2012 | JY | AC |



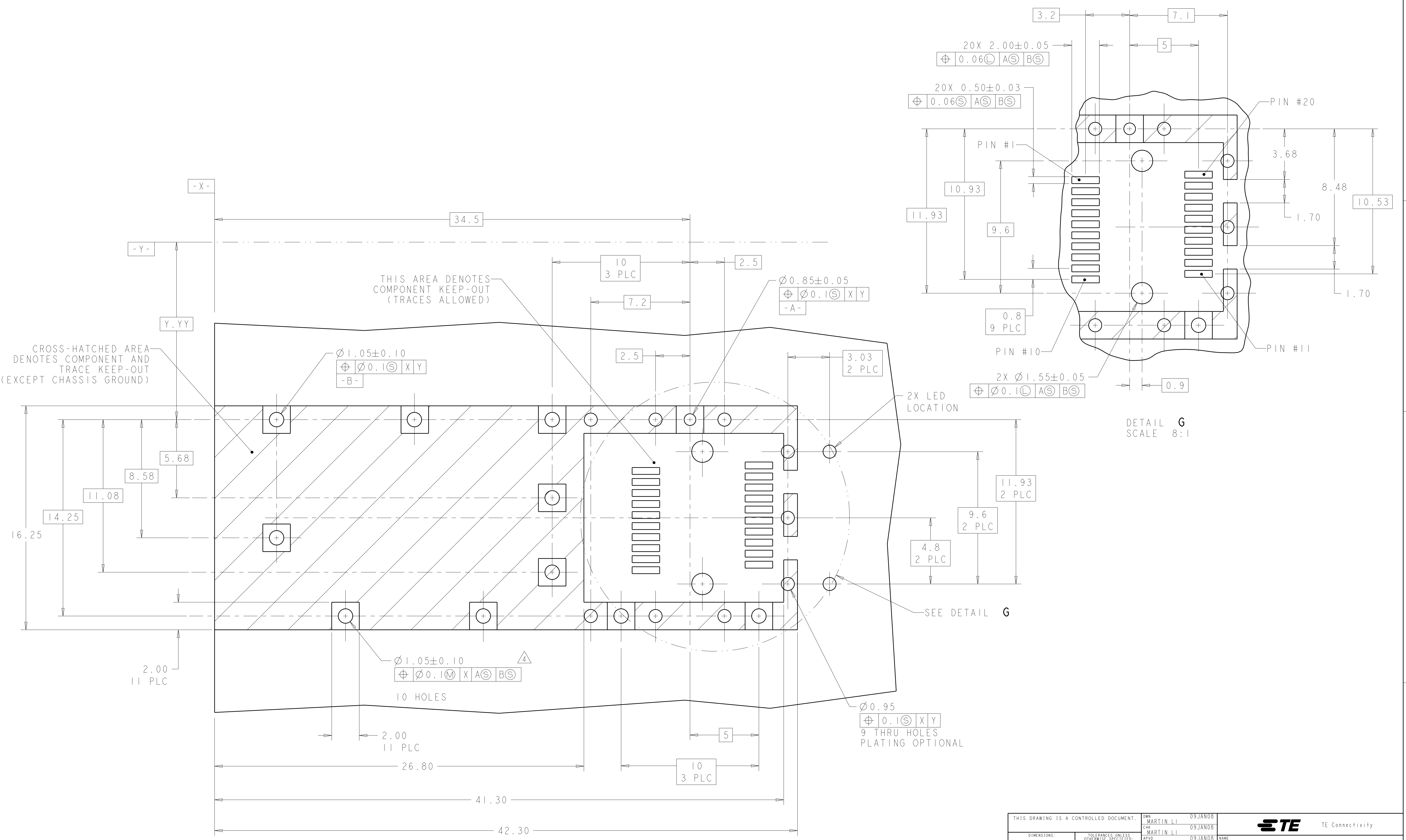
1. MATERIAL:
 LIGHTPIPE: POLYCARBONATE, CLEAR
 LIGHTPIPE BRACKET: STAINLESS STEEL.

| | |
|-------------|-------------|
| 52 | 1367627-2 |
| 53.1 | 1367627-1 |
| DIMENSION A | PART NUMBER |

| | | | | | | | |
|--|--|------------------|------------|---------|------------------|---------------------------------|-----------------|
| THIS DRAWING IS A CONTROLLED DOCUMENT. | | DWN | MARTIN LI | 09JAN08 | NAME | STE | TE Connectivity |
| DIMENSIONS: | | CHK | MARTIN LI | 09JAN08 | | | |
| mm | TOLERANCES UNLESS OTHERWISE SPECIFIED: | APVD | STEVEN YAO | 09JAN08 | PRODUCT SPEC | LIGHT PIPE ASSEMBLY FOR IX1 SFP | |
| Ø | 0 PLC ± | APPL | | | APPLICATION SPEC | SIZE | CAGE CODE |
| | 1 PLC ±0.10 | WEIGHT | | | | A100779 | C=1367627 |
| | 2 PLC ± | CUSTOMER DRAWING | | | SCALE | 2:1 | SHEET 1 OF 3 |
| | 3 PLC ± | | | | REV | | C |
| | 4 PLC ± | | | | | | |
| | ANGLES ± | | | | | | |
| MATERIAL | FINISH | | | | | | |

| LOC | DIST | REV | DATE | BY | APPD |
|-----|------|-----|------|----|------|
| ES | 00 | | | | |

| REVISIONS | | DATE | BY | APPD |
|-----------|-------------|------|----|------|
| 1 | SEE SHEET 1 | | | |

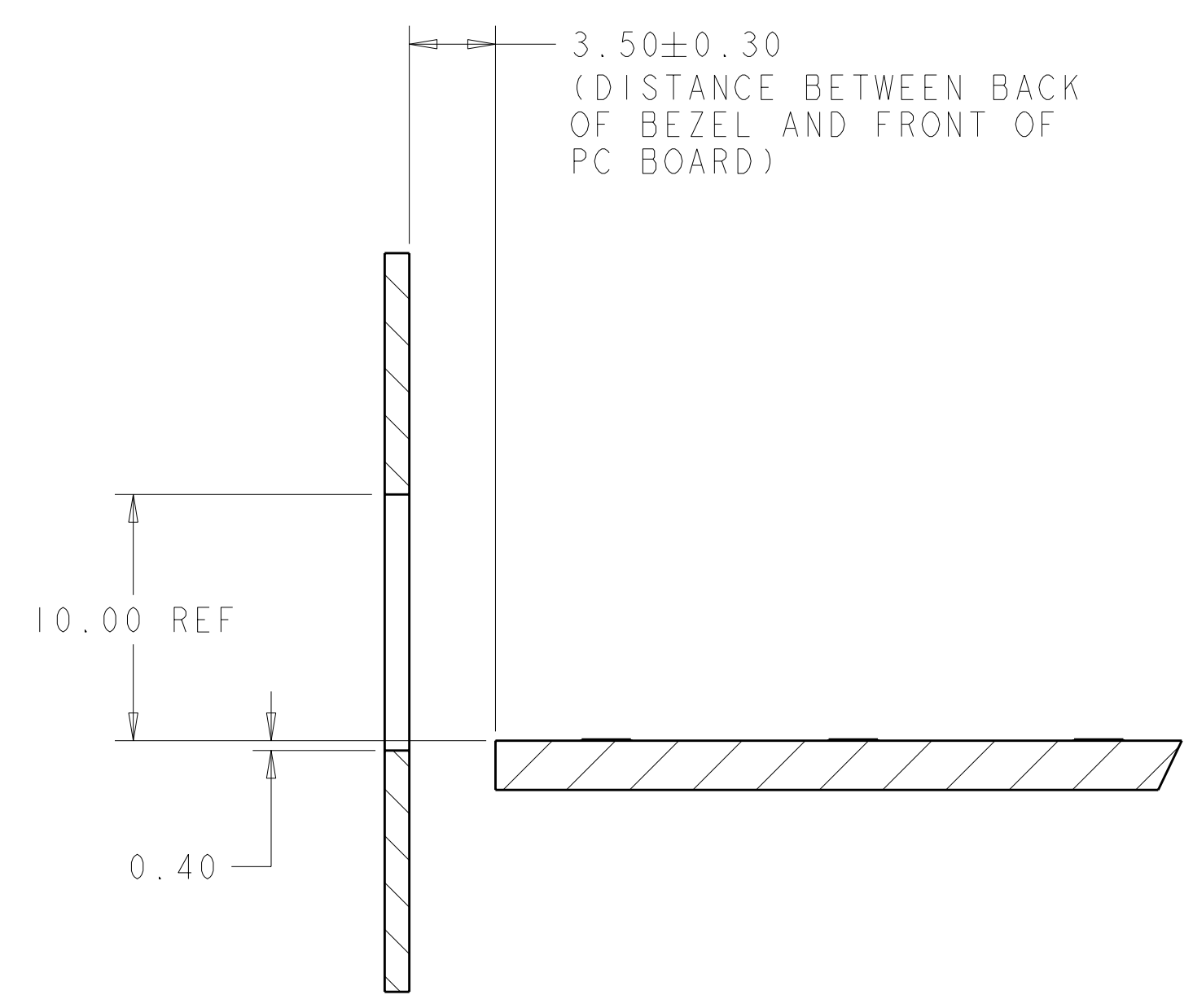
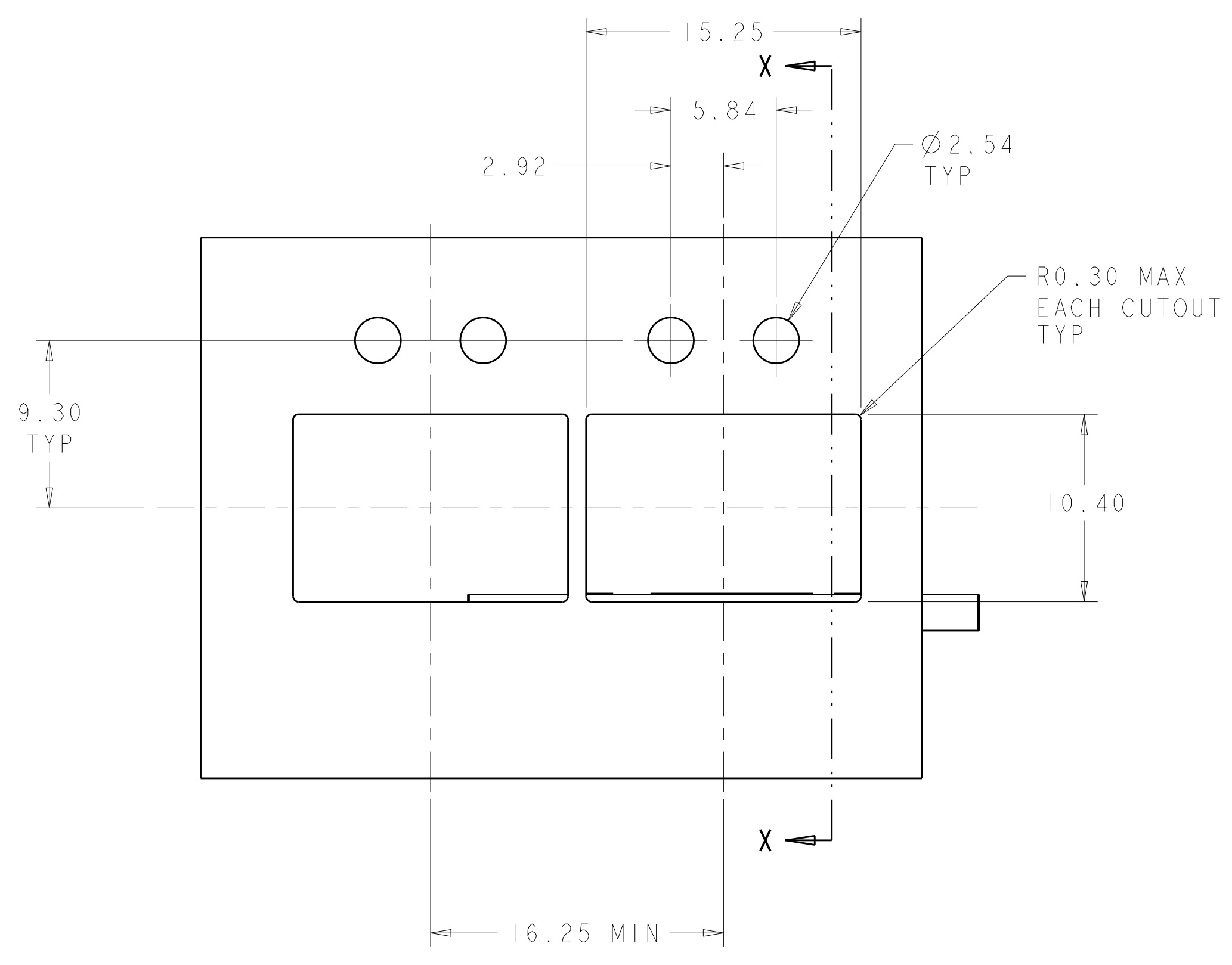
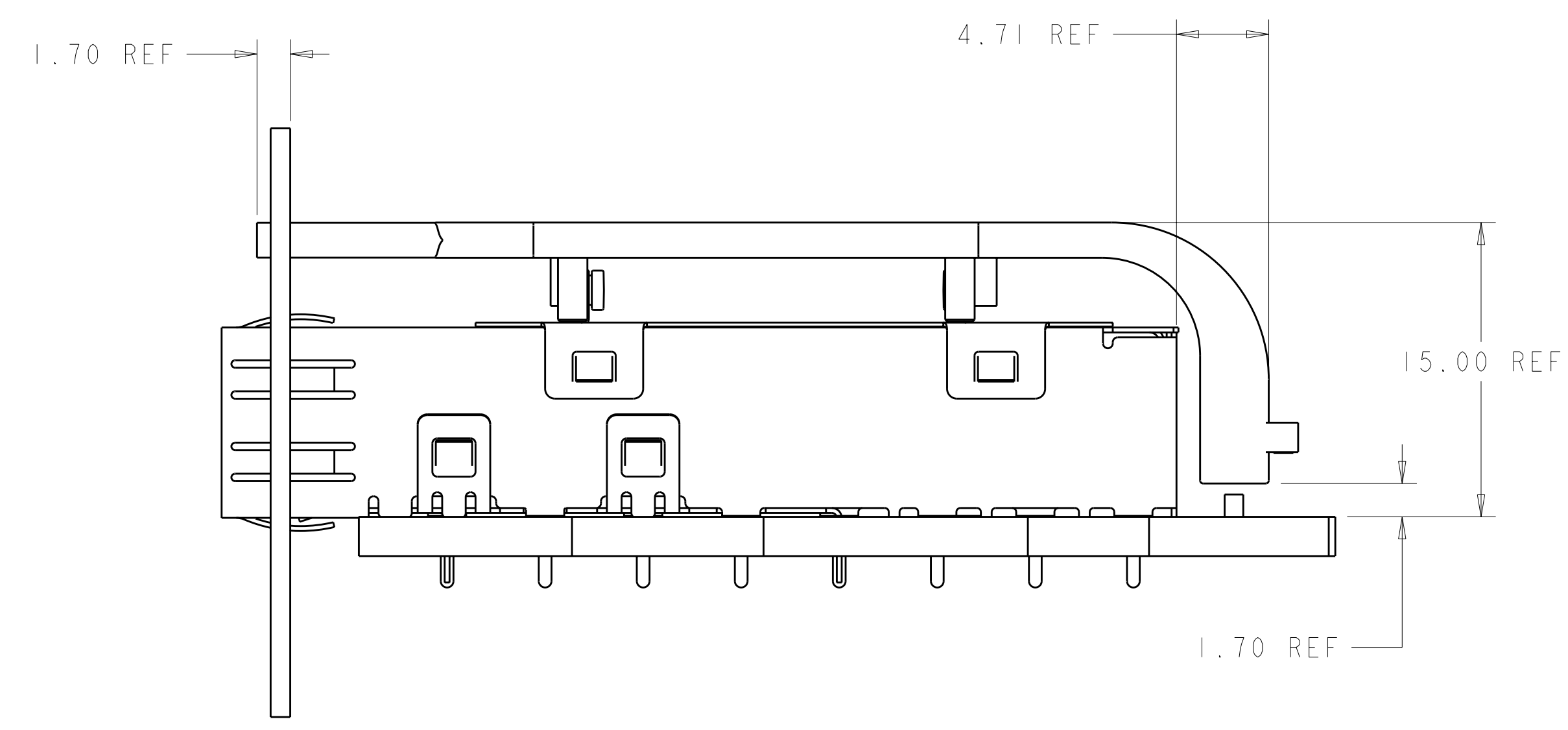


DETAIL G
SCALE 8:1

RECOMMENDED PCB LAYOUT
SCALE 8:1

| | | | |
|--|--|--|------------------------------|
| THIS DRAWING IS A CONTROLLED DOCUMENT. | | DWN MARTIN LI 09JAN08 CHK MARTIN LI 09JAN08 APVD STEVEN YAO 09JAN08 | TE Connectivity |
| DIMENSIONS: mm | | NAME PRODUCT SPEC APPLICATION SPEC | |
| TOLERANCES UNLESS OTHERWISE SPECIFIED: 9 PLC ± 3 PLC ±0.10 5 PLC ± 4 PLC ± ANGLES ± | | LIGHT PIPE ASSEMBLY FOR IX1 SFP SIZE CAGE CODE DRAWING NO A100779C=1367627 | RESTRICTED TO |
| MATERIAL FINISH | | WEIGHT CUSTOMER DRAWING | SCALE 5:1 SHEET 2 OF 3 REV C |

| LOC | DIST | REVISIONS | | | |
|-----|------|-------------|------|-----|------|
| P | LTB | DESCRIPTION | DATE | DWN | APVD |
| ES | 00 | SEE SHEET 1 | - | - | - |
| | | | | | |
| | | | | | |



SECTION X-X

RECOMMENDED BEZEL CUTOUT AND PC BOARD-BEZEL POSITION

| | | | | | |
|---|--|------------------|---------------------------------|-----------|-----------------|
| THIS DRAWING IS A CONTROLLED DOCUMENT. | | DWN | MARTIN LI | 09JAN08 | TE Connectivity |
| DIMENSIONS: | | CHK | MARTIN LI | 09JAN08 | |
| mm | TOLERANCES UNLESS OTHERWISE SPECIFIED: | APVD | STEVEN YAO | 09JAN08 | NAME |
| 0 PLC ± 1 PLC ± 2 PLC ±0.10 3 PLC ± 4 PLC ± ANGLES ± | FINISH | PRODUCT SPEC | LIGHT PIPE ASSEMBLY FOR IX1 SFP | | RESTRICTED TO |
| MATERIAL | | APPLICATION SPEC | SIZE | CAGE CODE | DRAWING NO |
| | | WEIGHT | A1100779 | C=1367627 | |
| CUSTOMER DRAWING | | | SCALE | 2:1 | SHEET 3 OF 3 |
| | | | REV | C | |