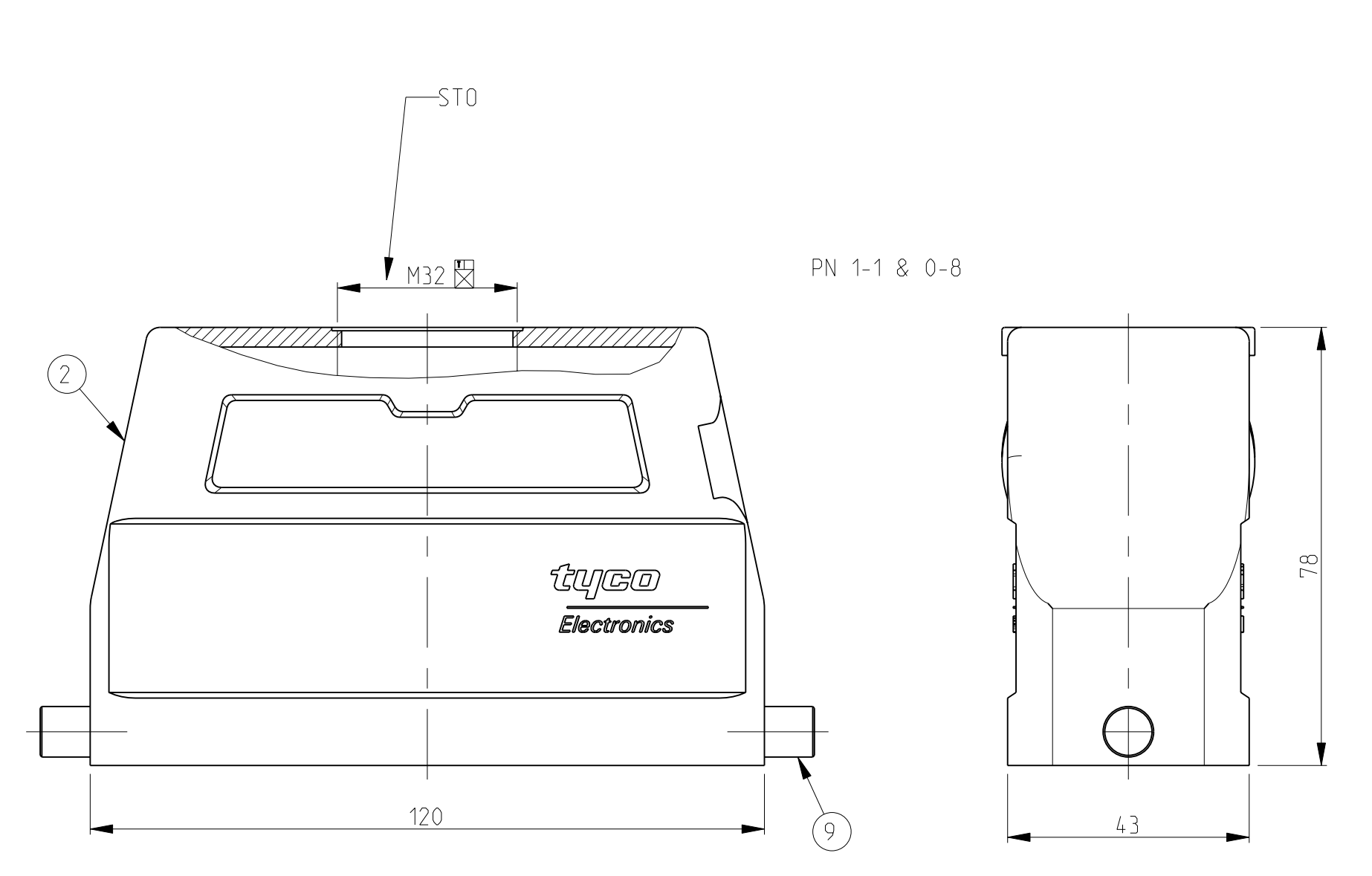
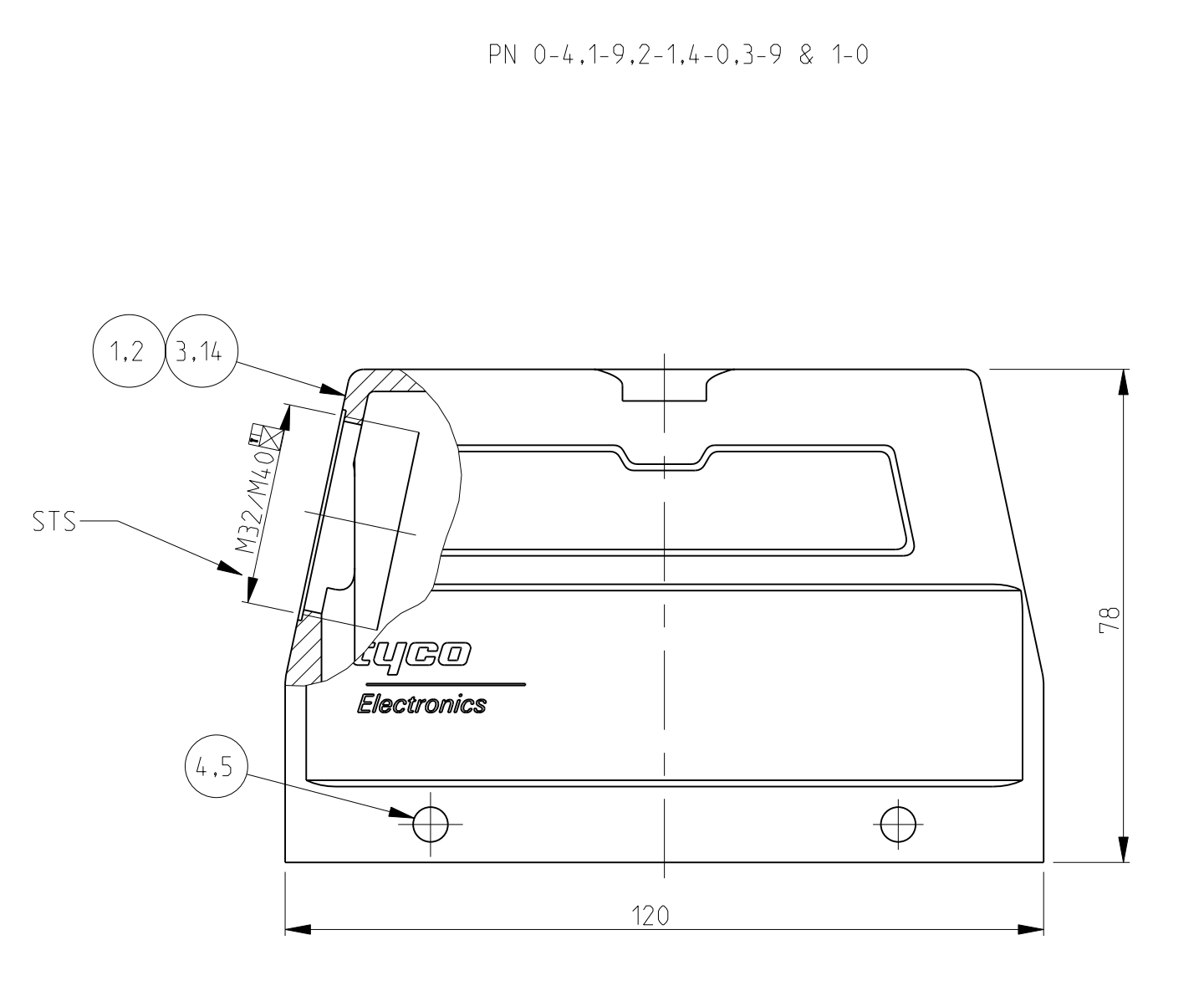
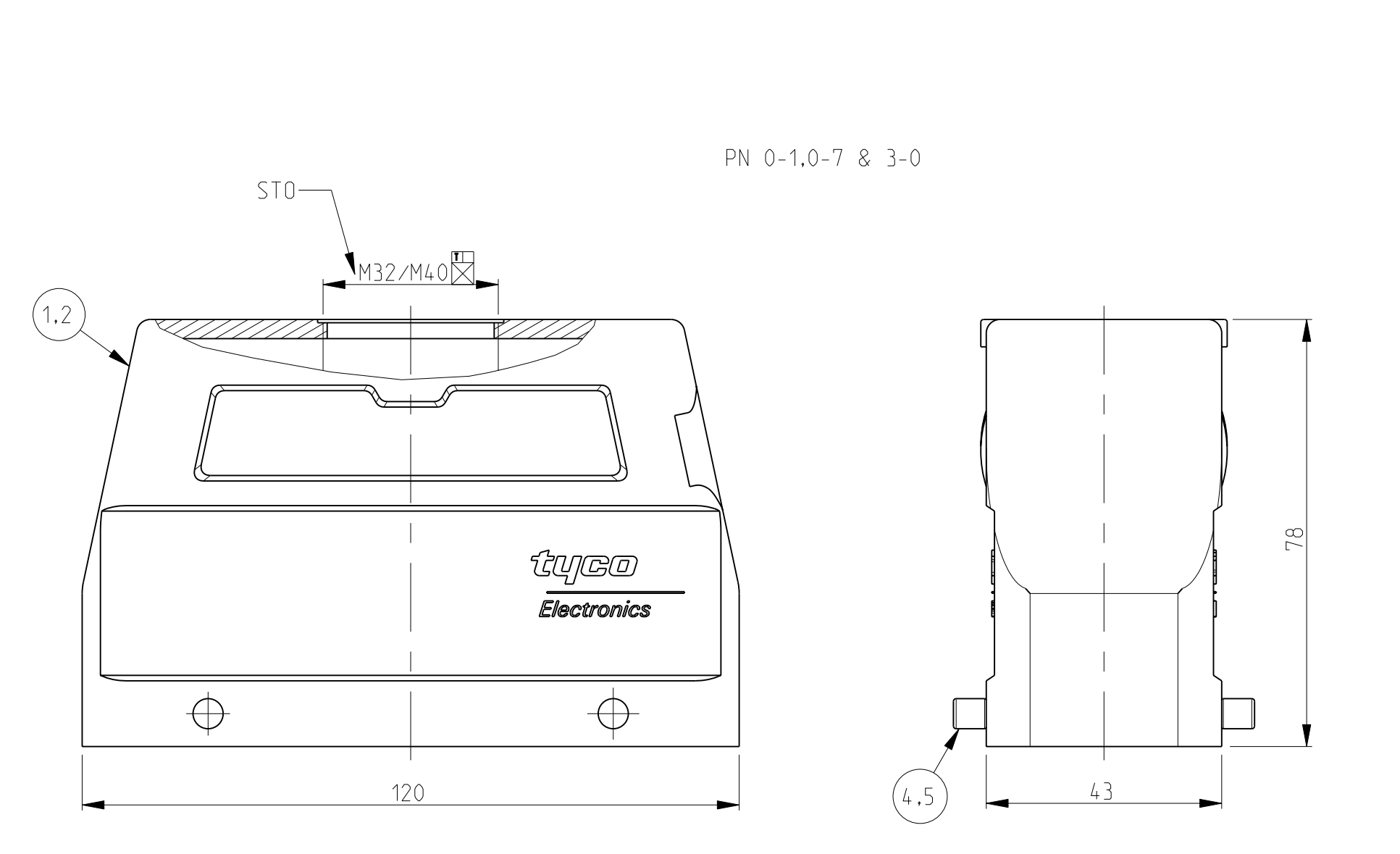
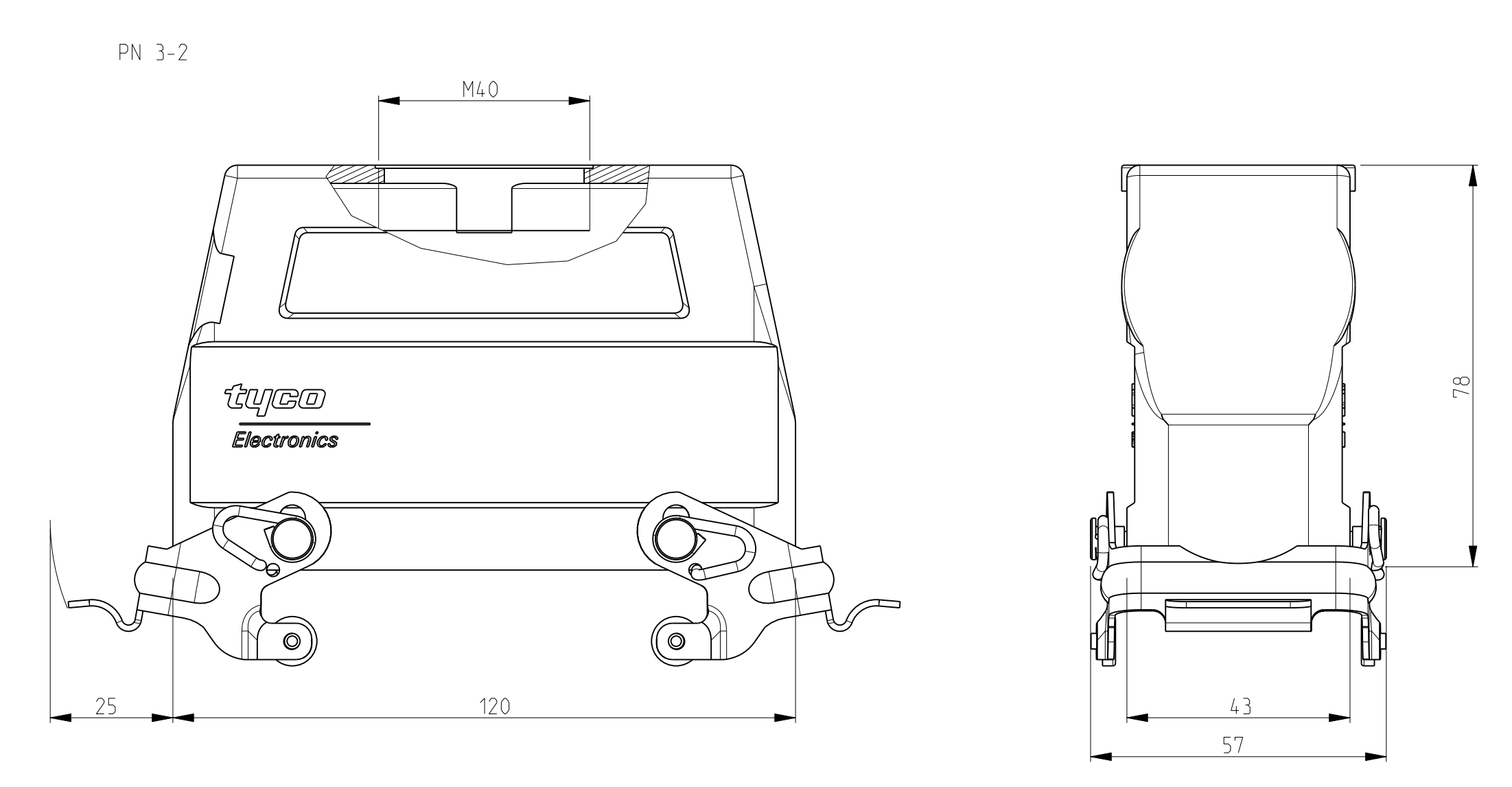
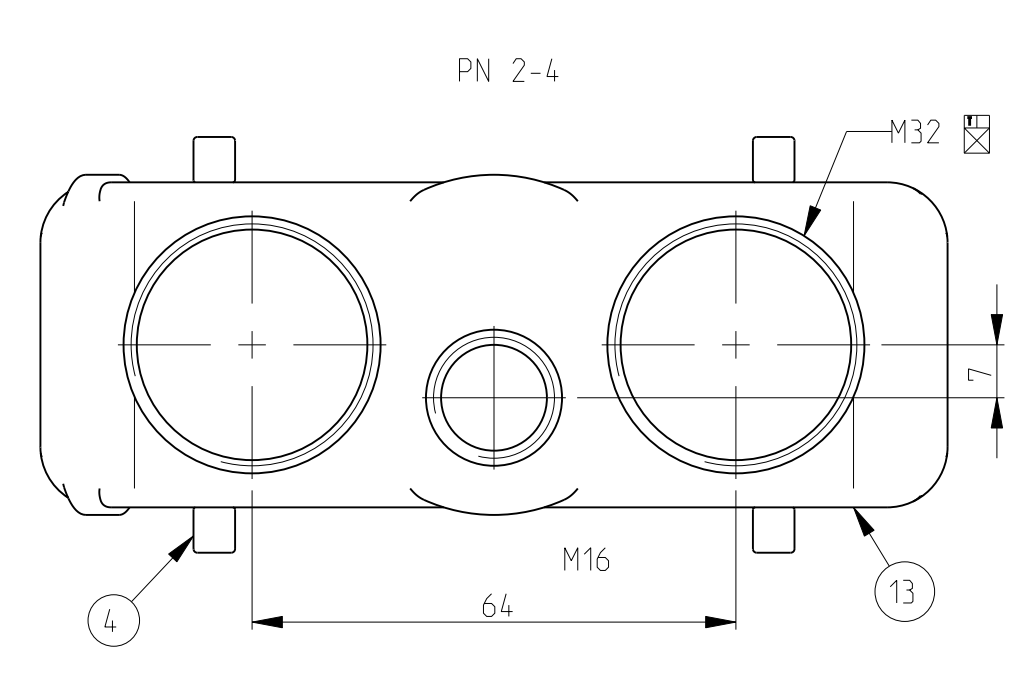
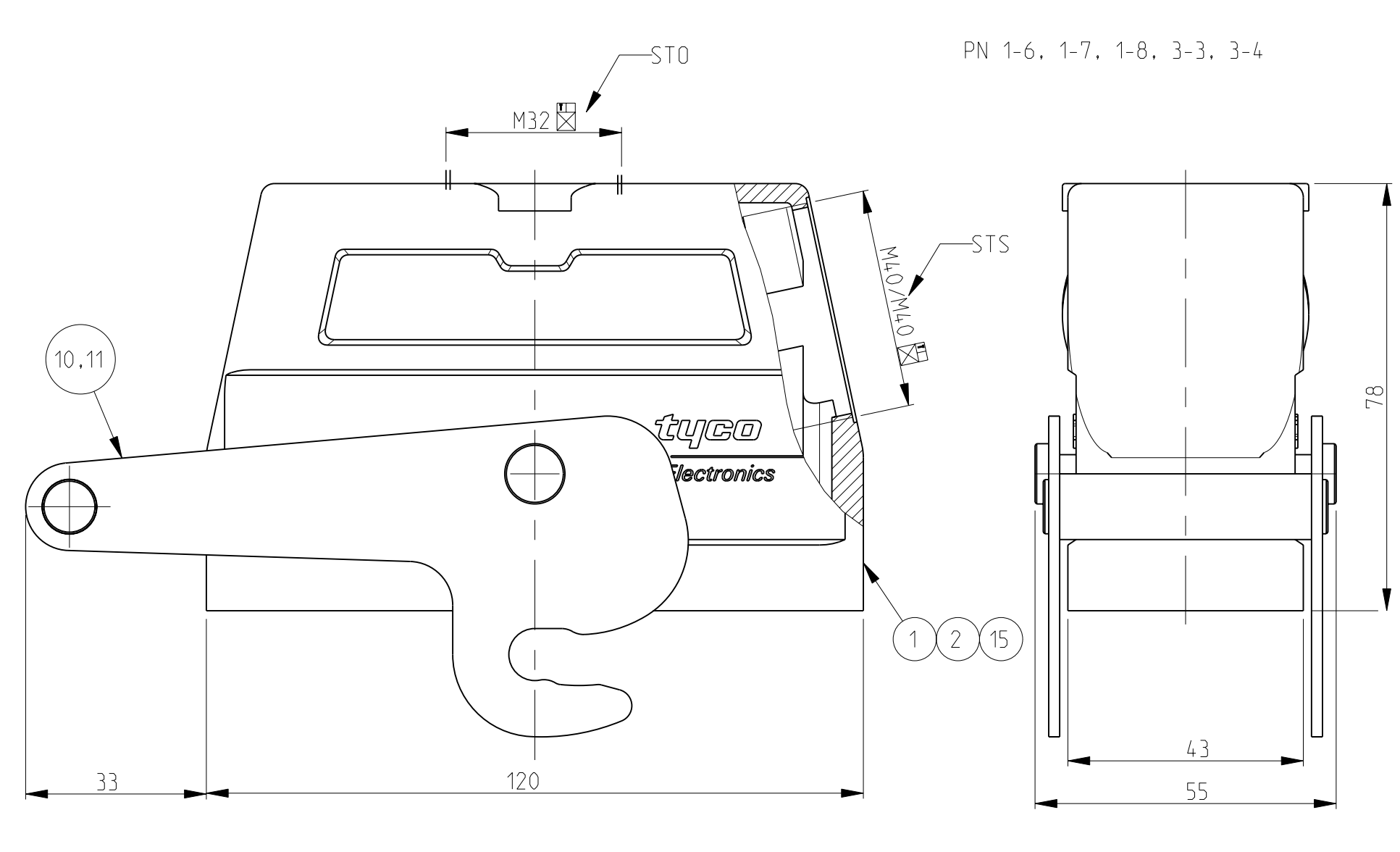
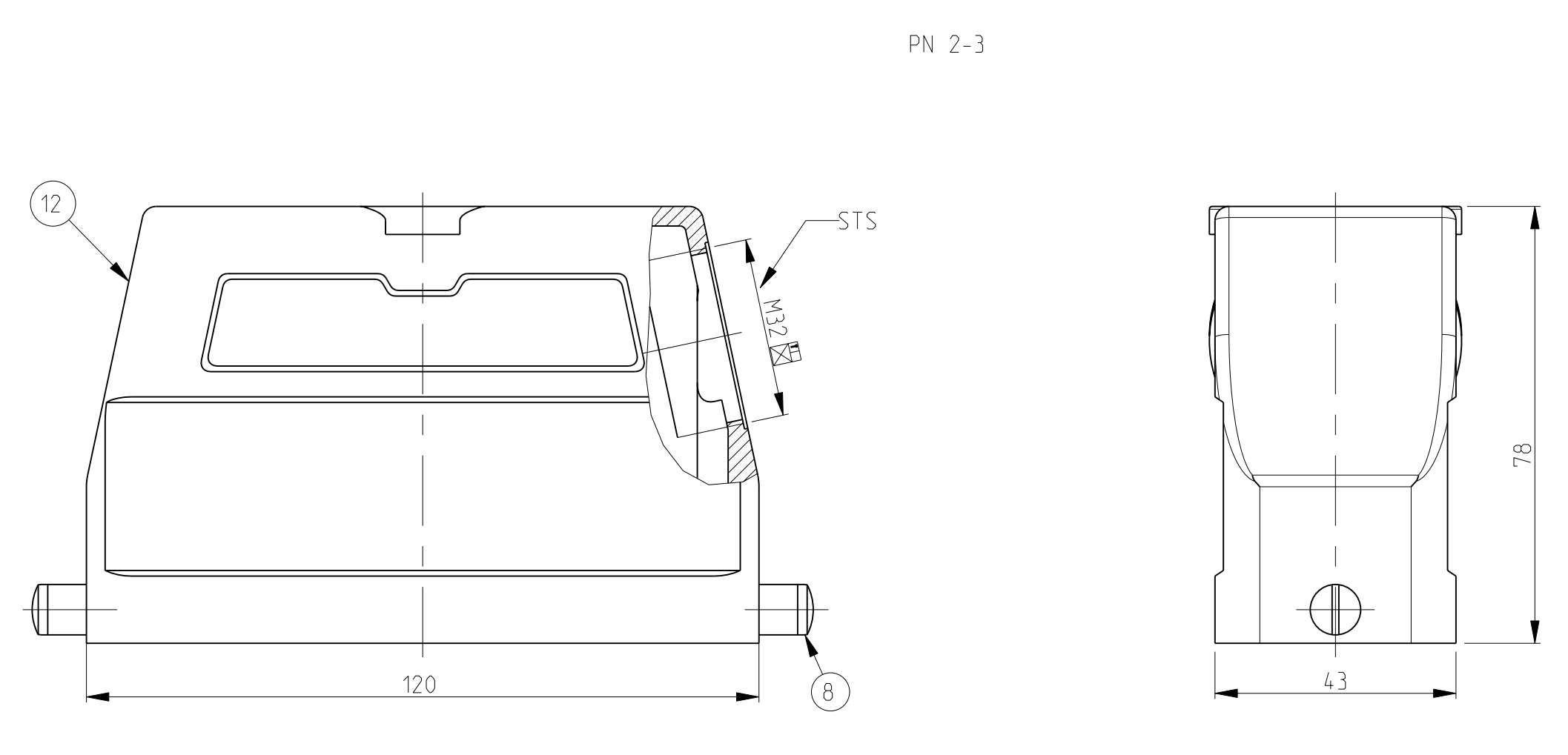
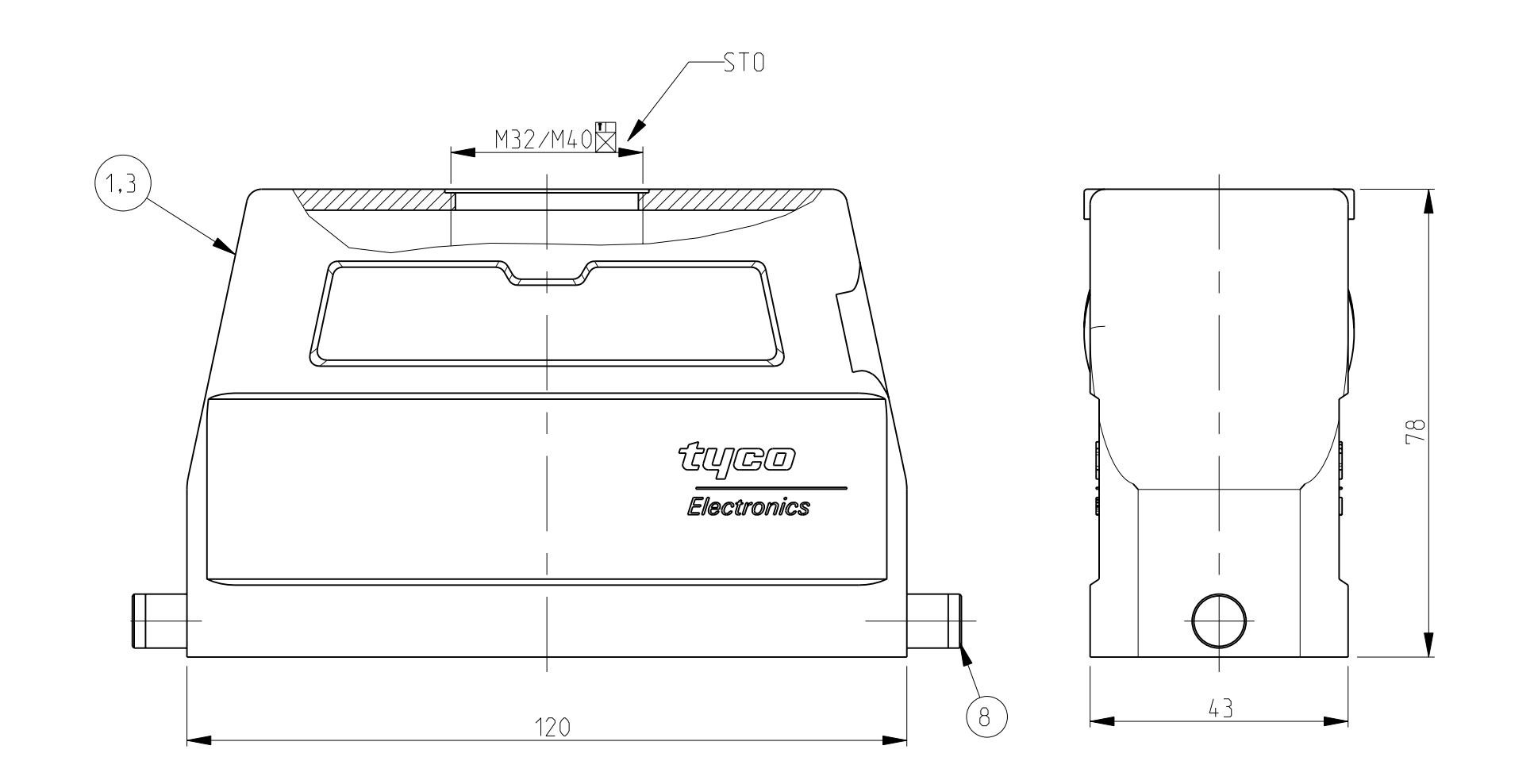
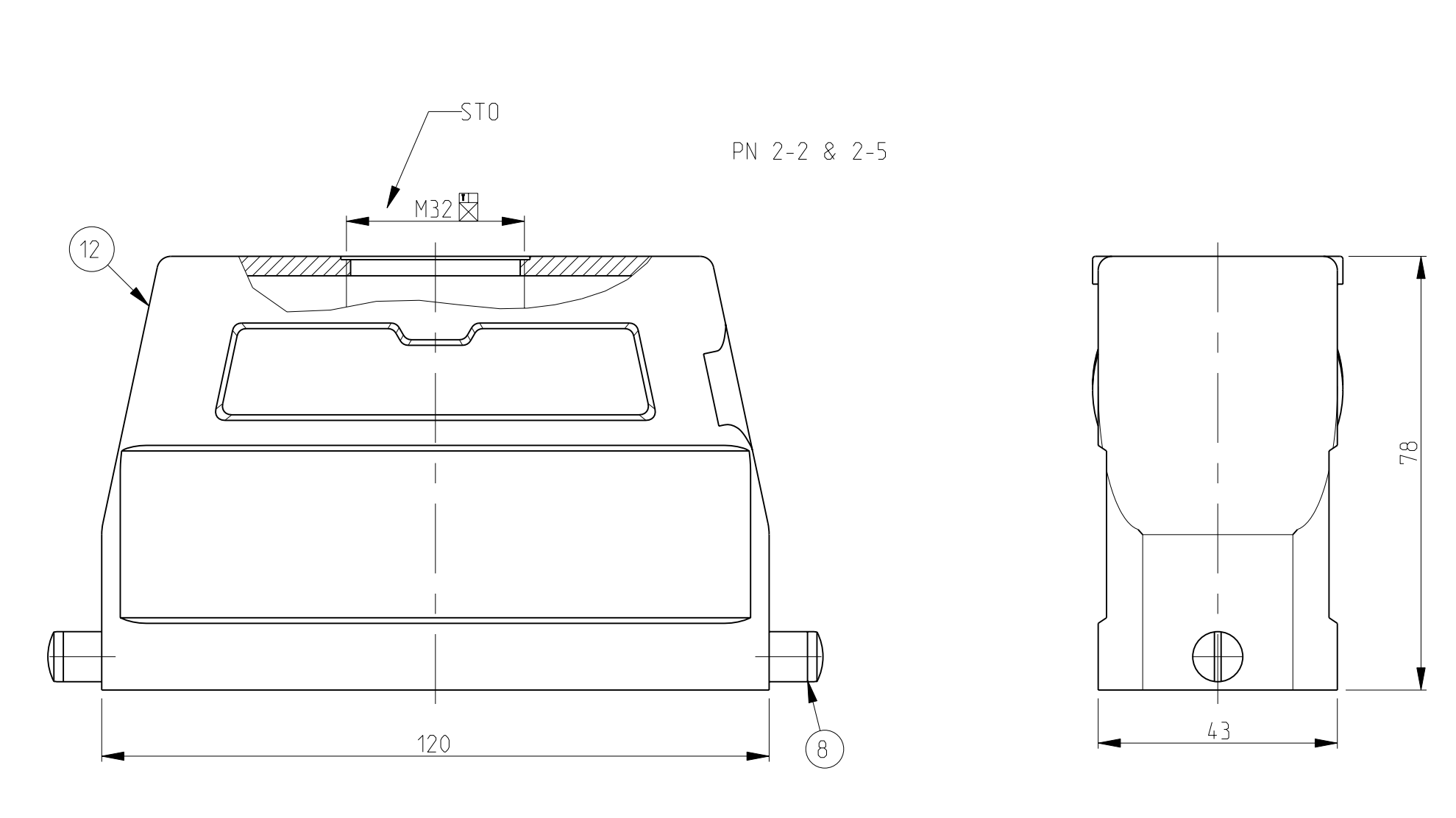
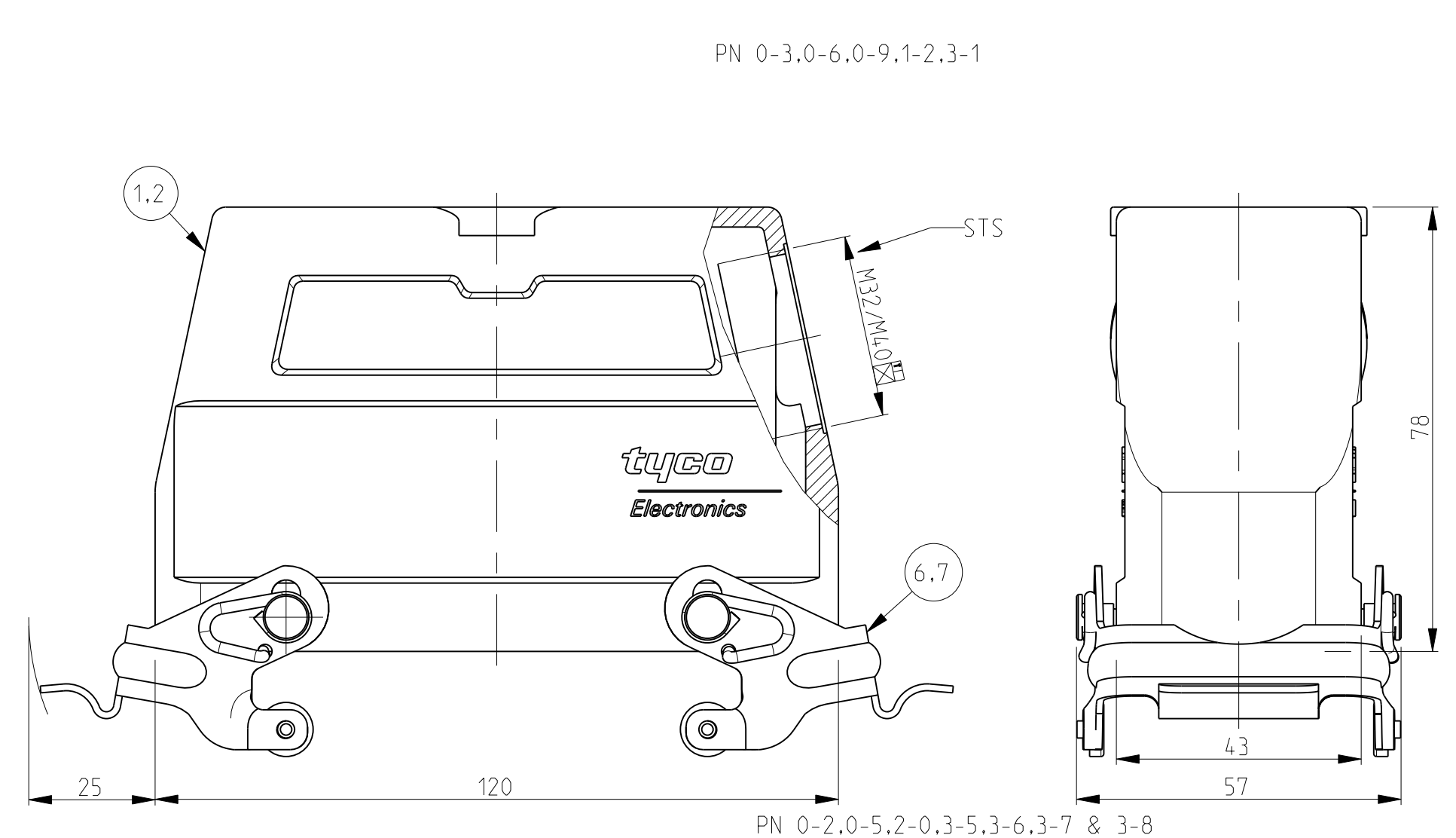


REVISIONS				
REV	DATE	BY	CHK	APPV
A.1				



- NOTES.
- Material:Housing:Aluminium Diecasting Alloy
  - Surface:Varnish grey
  - Varnish on the inside not necessary
  - Packaging Quantity 5 Pieces in a box
  - Without TE-Product sign
  - Special Packaging Quantity 50 Pieces in a Kanban box



ITEM NO	DESCRIPTION	MATERIAL	SURFACE	COLOR	ITEM NO	NOTES
1	HD HOOD	Aluminium		GREY	15	
1	HD-EMV Hood	Aluminium	chromi. AL passivation	Black	14	
1	HD Hood	Aluminium		Grey	13	
1	HD Hood	Aluminium	Neutral	Grey	12	Without TE-Logo
1	ZB-Central clip	Stainless steel	Blank	Zinc plated	11	
1	ZB-Central clip	Steel		Zinc plated	10	
2	LB-Clip bolt	Stainless steel	Blank	Blue	9	
2	LB-Clip bolt	Steel		Zinc plated	8	
2	VS-Side clip	Stainless steel	Blank	Zinc plated	7	
2	VS-Side clip	Steel		Zinc plated	6	
4	VS-Clip bolt	Stainless steel	Blank	Blue	5	
4	VS-Clip bolt	Steel		Zinc plated	4	
1	HD Hood	Aluminium		Grey	3	Without TE-Logo
1	HD-K Hood	Aluminium	Aluminium oxide	Black	2	
1	HD Hood	Aluminium		Grey	1	

THIS DRAWING IS A CONTROLLED DOCUMENT. Schneider 30-Nov-07, Schweiger 30-Nov-07.

PRODUCT SPEC: JOB-74001/74003  
 APPLICATION SPEC: 114-74001/74004  
 REVISION: A.0 00779 ©=1106470

CUSTOMER DRAWING. SCALE: 1:1. SHEET: 1 OF 1. REV: A.1