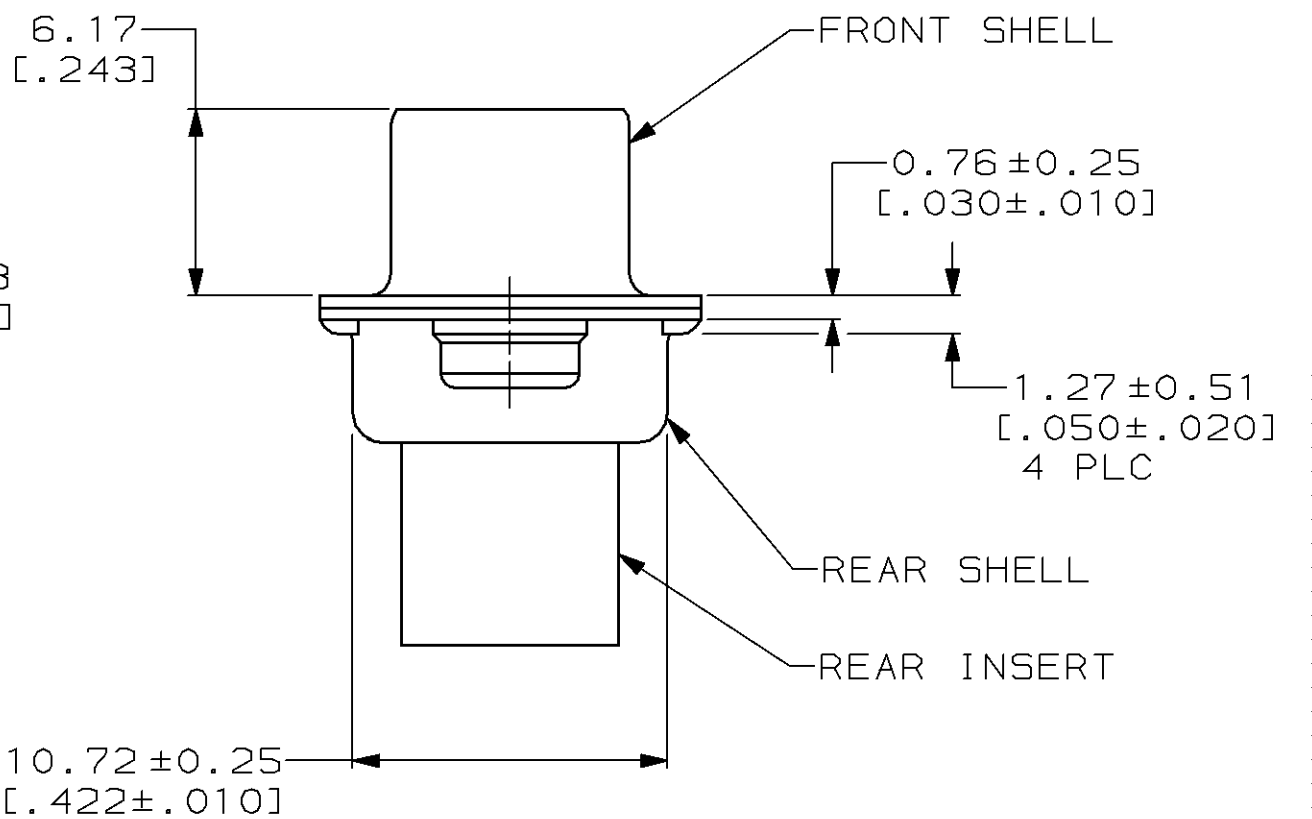
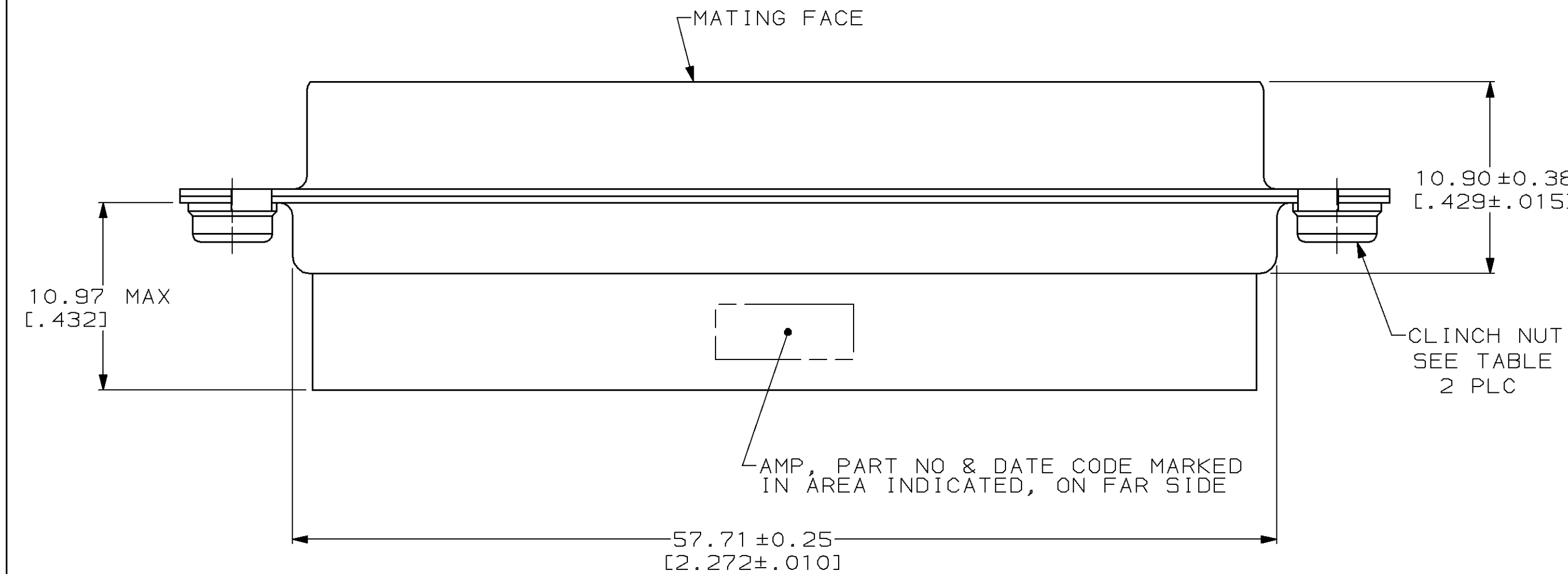
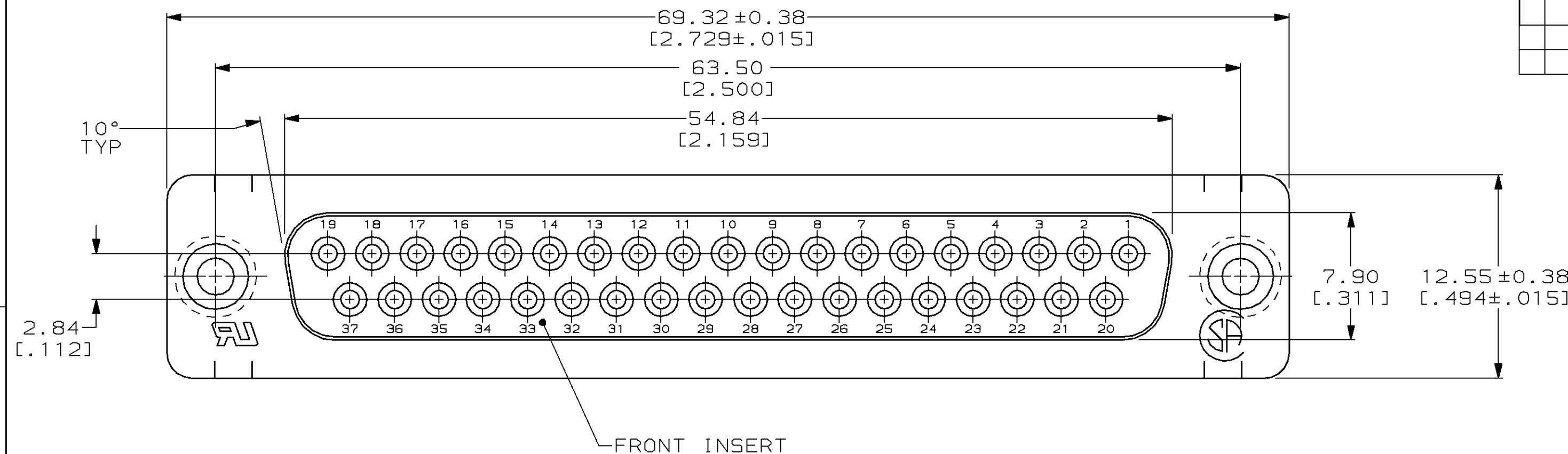


LOC		DIST		REVISIONS			
P	F	ZONE	LTR	DESCRIPTION	DATE	APPD	
BD	48		B	REDRAWN, ADDED -4 PER NPR 3518, REVISED PER ECN BD5132	5-14-91	-	
			C	OBS -1 PER ECN BD6177	06/17/92	TS	
			D	OBS -4 PER EC 0020-724-95	08 MAR 96	JCS	



1. CONNECTOR ACCEPTS SIZE 20 DF SOCKET CONTACTS, RETENTION TINES ARE AN INTEGRAL PART OF INSERT.
- 2 NYLON OR POLYESTER, UL 94V-0 RATED, BLACK.
- 3 CARBON STEEL PER ASTM A109.
- 4 5.08 μm [0.000200] MIN TIN OVER 2.54 μm [0.000100] MIN COPPER.
5. .068 MAX DIA WIRE INSULATION SIZE IS RECOMMENDED FOR USE WITH THIS RECEPTACLE.
- 6 CLEAR CHROMATE OVER ZINC.
- 7 YELLOW CHROMATE OVER ZINC.
- 8 5.08 μm [0.000200] MIN ZINC, YELLOW CHROMATE.
- 9 TIN PLATING PER MIL-T-10727; COPPER PLATING PER MIL-C-14550; ZINC PLATING PER ASTM B633, TYPE III, CLASS SCI.

OBSOLETE	4	7	M-3	207661-4
	4	6	4-40	207661-3
OBSOLETE	8	6	4-40	207661-1
	SHELL FINISH	CLINCH NUT FINISH	CLINCH NUT THREAD TYPE	PART NO

DO NOT SCALE PRINT. UNLESS SPECIFIED DIMENSIONS IN mm [INCHES] TOLERANCES ON :  
 2 PLC DEC ± 0.13 [0.005]  
 3 PLC DEC ± -  
 ANGLES ± 2°

MATERIAL MOLDED PARTS: 2  
 CLINCH NUTS & SHELLS: 3

FINISH 9  
 SEE TABLE

DR 5-14-91 W.G.LENKER  
 CHK 5-22-91 R.STONE  
 APPD 5-22-91 M.KAPEZYNSKI  
 APPD 5-22-91 J.ASSINI  
 PRODUCT SPEC 108-40025  
 APPLICATION SPEC -  
 WEIGHT -

**AMP** AMP INCORPORATED  
 Harrisburg, Pa. 17105

NAME  
 RECEPTACLE CONNECTOR, SIZE 4,  
 37 POSN, WITH CLINCH NUTS,  
 AMPLIMITE®HDP

SIZE **C** CAGE CODE 00779 DRAWING NO 207661  
 SCALE 4:1 SHEET 1 OF 1