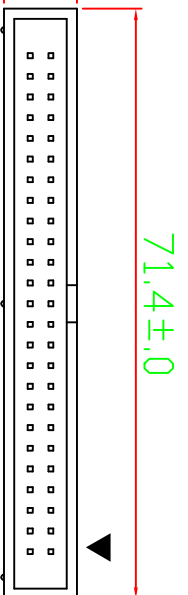
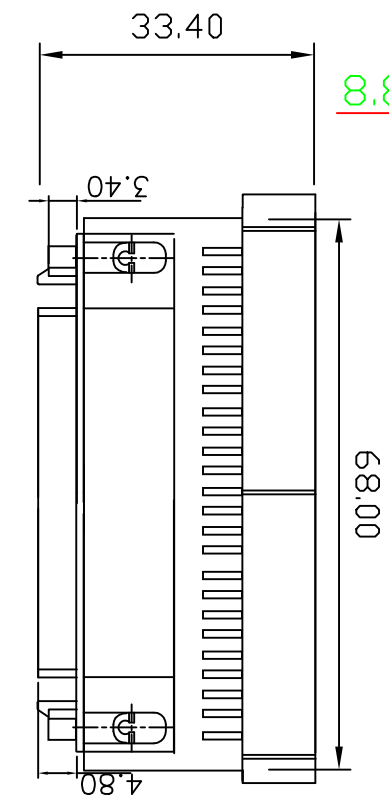


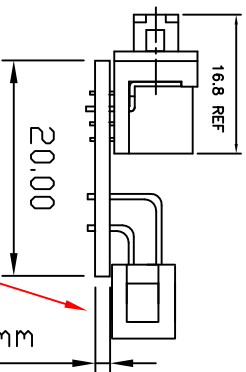
PIN ASSIGNMENT



8.8 ± 0.0

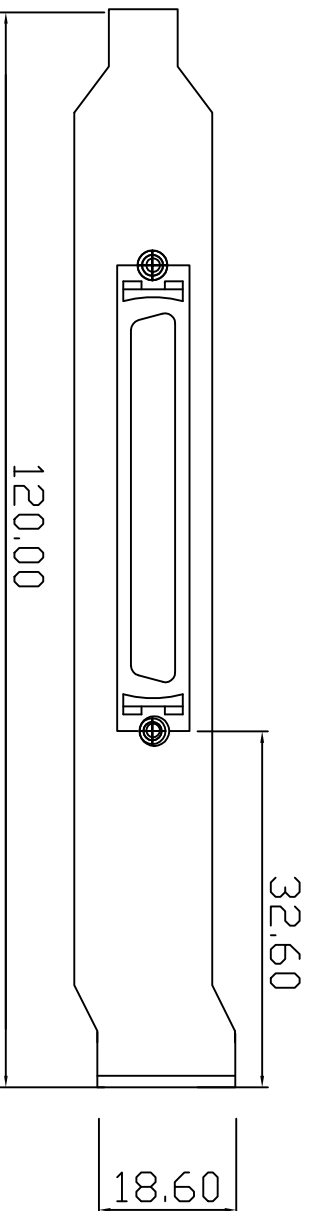
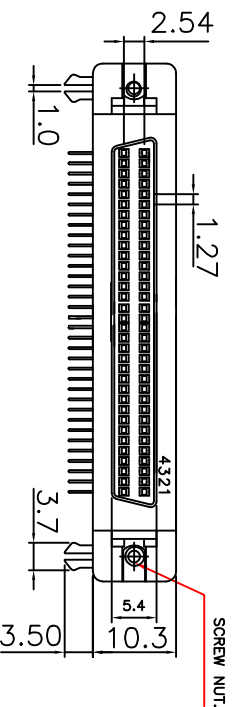


HOLE ON DOWN SIDE



P.C.B 1.6mm

A	B	A	B
1	-	35	-
2	-	36	-
3	-	37	-
4	-	38	-
5	-	39	-
6	-	40	-
7	-	3	-
8	-	5	-
9	-	42	-
10	-	7	-
11	-	9	-
12	-	44	-
13	-	11	-
14	-	13	-
15	-	45	-
16	-	15	-
17	-	47	-
18	-	17	-
19	-	48	-
20	-	19	-
21	-	49	-
22	-	21	-
23	-	50	-
24	-	51	-
25	-	52	-
26	-	53	-
27	-	27	-
28	-	29	-
29	-	54	-
30	-	31	-
31	-	55	-
32	-	33	-
33	-	56	-
34	-	35	-
		57	-
		37	-
		58	-
		39	-
		59	-
		41	-
		60	-
		43	-
		61	-
		45	-
		62	-
		47	-
		63	-
		49	-
		64	-
		65	-
		66	-
		67	-
		68	-



UNLESS OTHERWISE SPECIFIED TOLERANCE
ANG. ±0.5
0. ±0.3
.00 ±0.2

SCALE: 1:1 UNIT: mm

DRAWN: MICHAEL 02/16/00
CHECKED: / /

Asmann Electronic GmbH

DRAWN NAME: 150D11-BTL

REV.	A	150D11-BTL	SLOT	CARD	DESCRIPTION	CARD HPD68PIN FEMALE W/BRACKET TO BOX HEADERSO MALE	DATE	02/16/00	APPROVED	SIZE	REV.	PRODUCT NO.	FILE NAME:
										A4	A	AB 840	150D11-BTL