

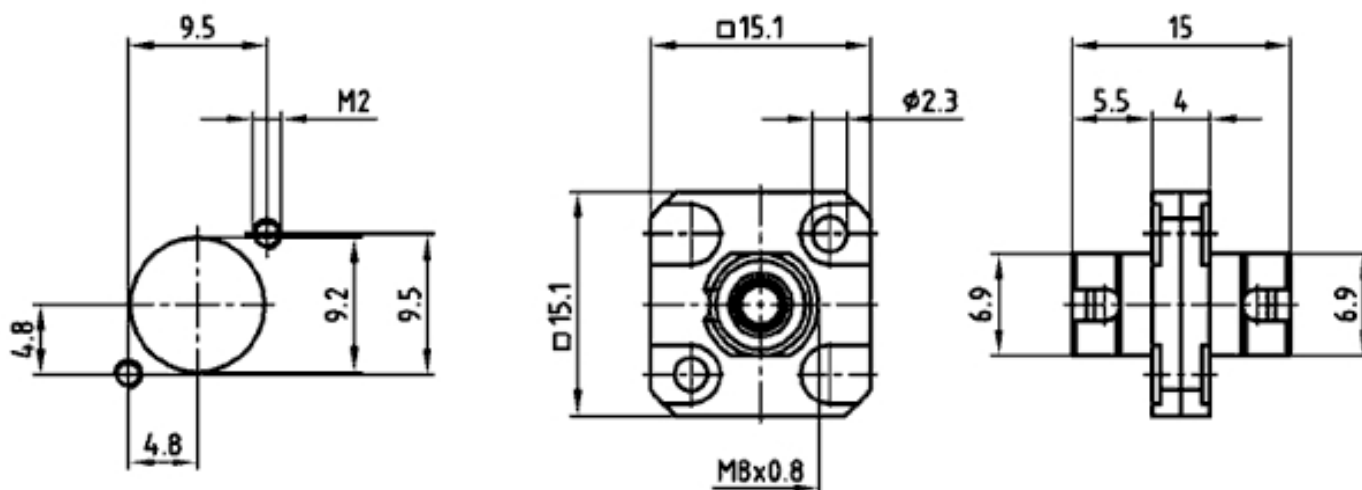


FC-Simplex-Metal Adapters Singlemode / Multimode

Directive 2002/95/EC
„RoHS“
Compliant

(click on the schematic(s) for a more detailed view)

Mounting cutout



KAT1iWHA

Technical Data

- ? Housing material: Metal
- ? Plating: Nickel
- ? Sleeve: Phosphor-Bronze
Ceramic
- ? Adapters are supplied with dust caps

Kat 1 i WHA

Order Table

SM / MM (Singlemode/Multimode)	Sleeve	Outer housing colour	Part number
SM/APC 8° = Singlemode	ceramic	zinc diecast	FFCFFC213CCC0X
SM = Singlemode	ceramic	zinc diecast	FFCFFC212CCC0X
MM = Multimode	ceramic	zinc diecast	FFCFFC211CCC0X
MM = Multimode	phosphor-bronze	zinc diecast	FFCFFC211BCC0X