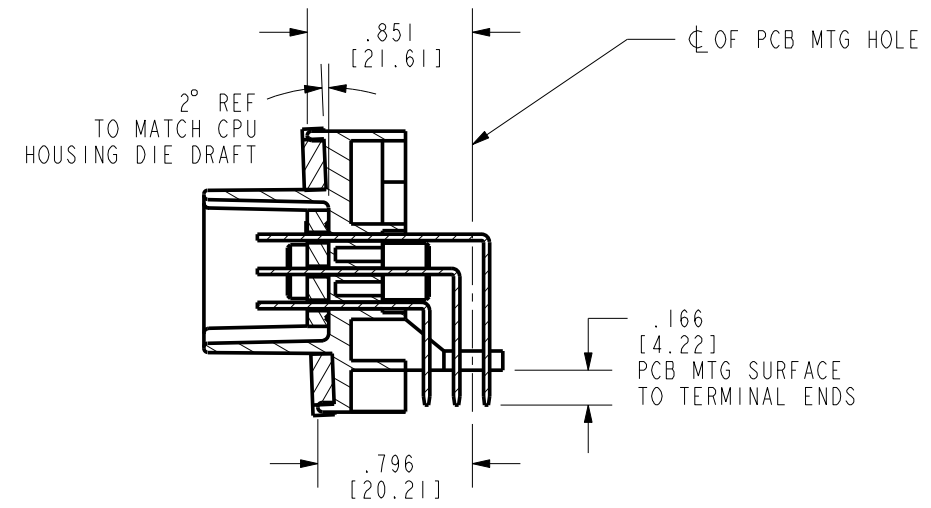
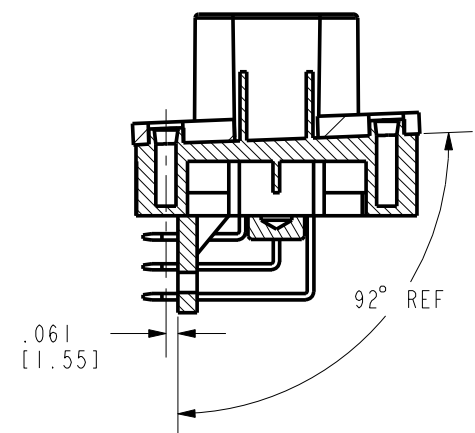
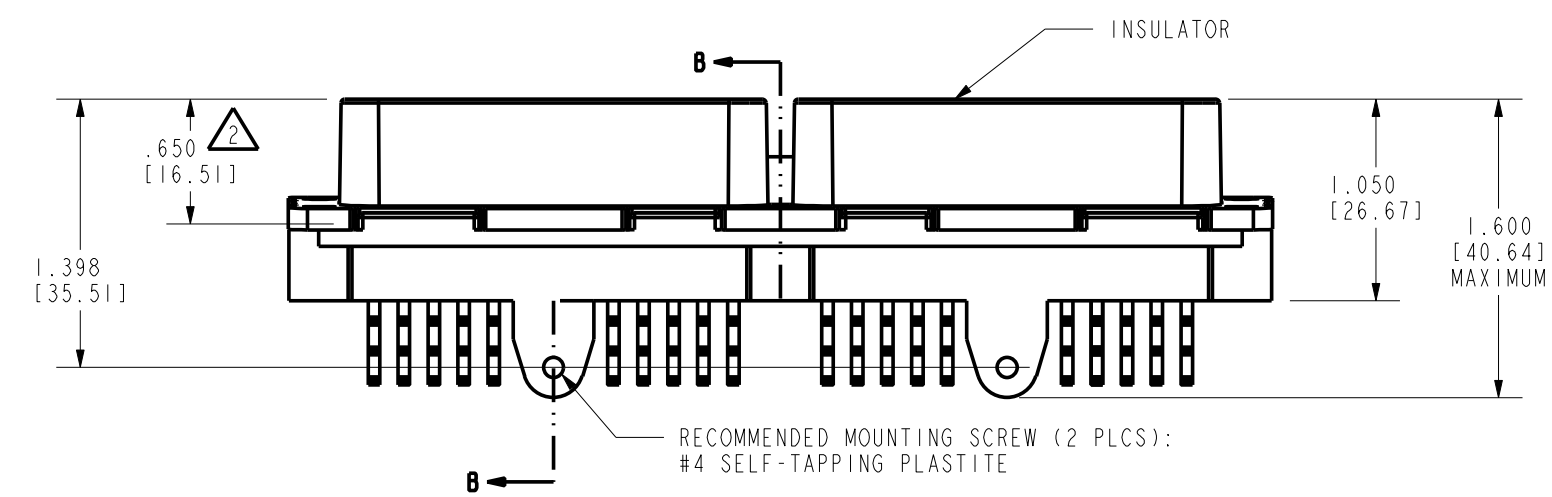


RECOMMENDED MOUNTING SCREW (6 PLCS): #4-20 (SH) SELF-TAPPING PLASTITE, 0.50 [12.7] LONG, USE ONLY IF MOUNTING MODULE WALL THICKNESS IS LESS THAN OR EQUAL TO .118 [3.00], SEE SHEET 2 FOR THE RECOMMENDED BOLTING PATTERN



SECTION C-C



SECTION B-B

DRAWING REVISIONS			
REV	DOCUMENT	APP	DATE
A	RELEASED TO PRODUCTION	AC	11/16/01
B	SHT-1: REVISED NOTE 3 (MATERIALS) & ADDED "BOLTING PATTERN" TO RECOMMENDED MOUNTING SCREW. SHT-2: ADDED P/N 581-01-60-013 & -014, ADDED "BOLTING PATTERN" TO MOUNTING HOLE/MODULE CASE OPENING PER ECN#05A619		

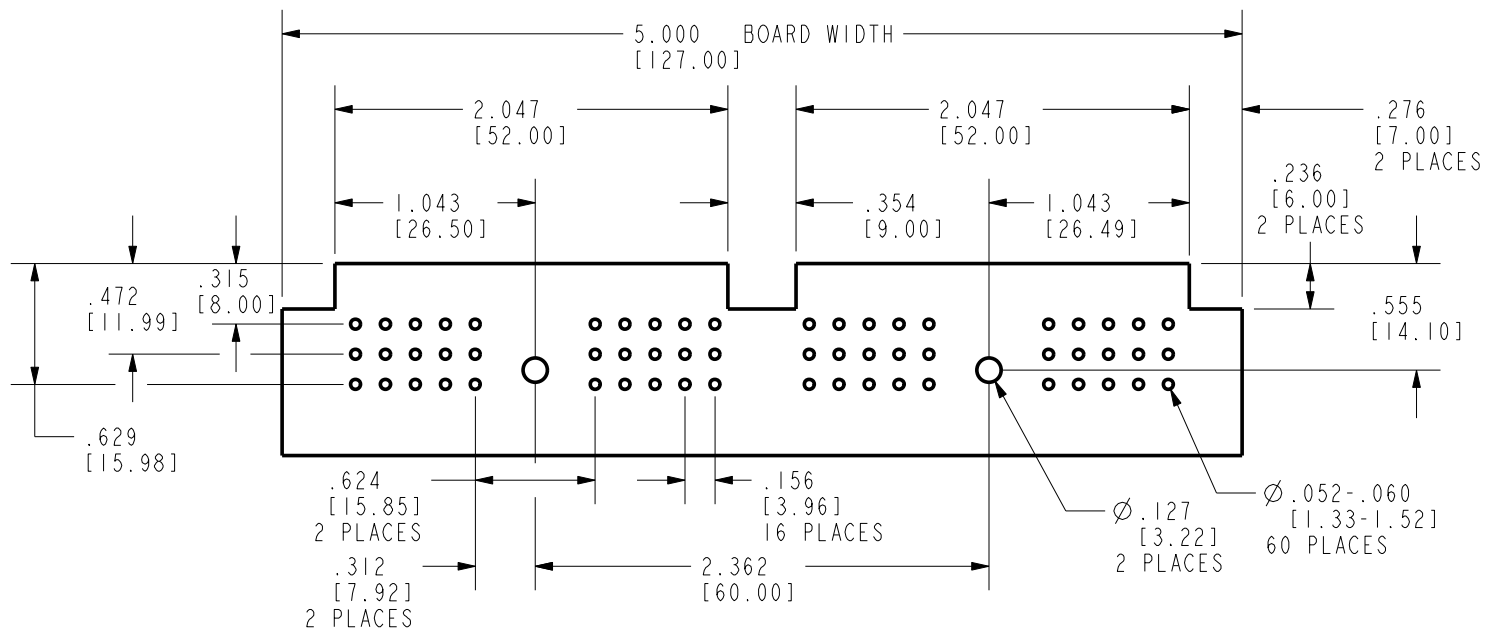
**NOTES:**

- ALL DIMENSIONS INSIDE [BRACKETS] ARE IN MILLIMETERS.
- 0.650 [16.51] TO BE MEASURED AT THE CENTER OF WIDTH OF CONNECTOR.
- MATERIALS:  
 TERMINAL BLADE: BRASS WITH TIN-LEAD OVER NICKEL PLATING.  
 JACKSCREW BUSHINGS: BRASS, UNPLATED.  
 INSULATOR: 30% GLASS FILLED PBT POLYESTER (SEE SHEET 2 FOR COLORS).  
 PANEL SEAL: SILICON RUBBER, COLORS: 40 DUROMETER PARTS ARE BLUE AND 40 DUROMETER PARTS ARE OXIDE RED.  
 INTERFACE SEAL: SILICON RUBBER, COLOR: BLUE.

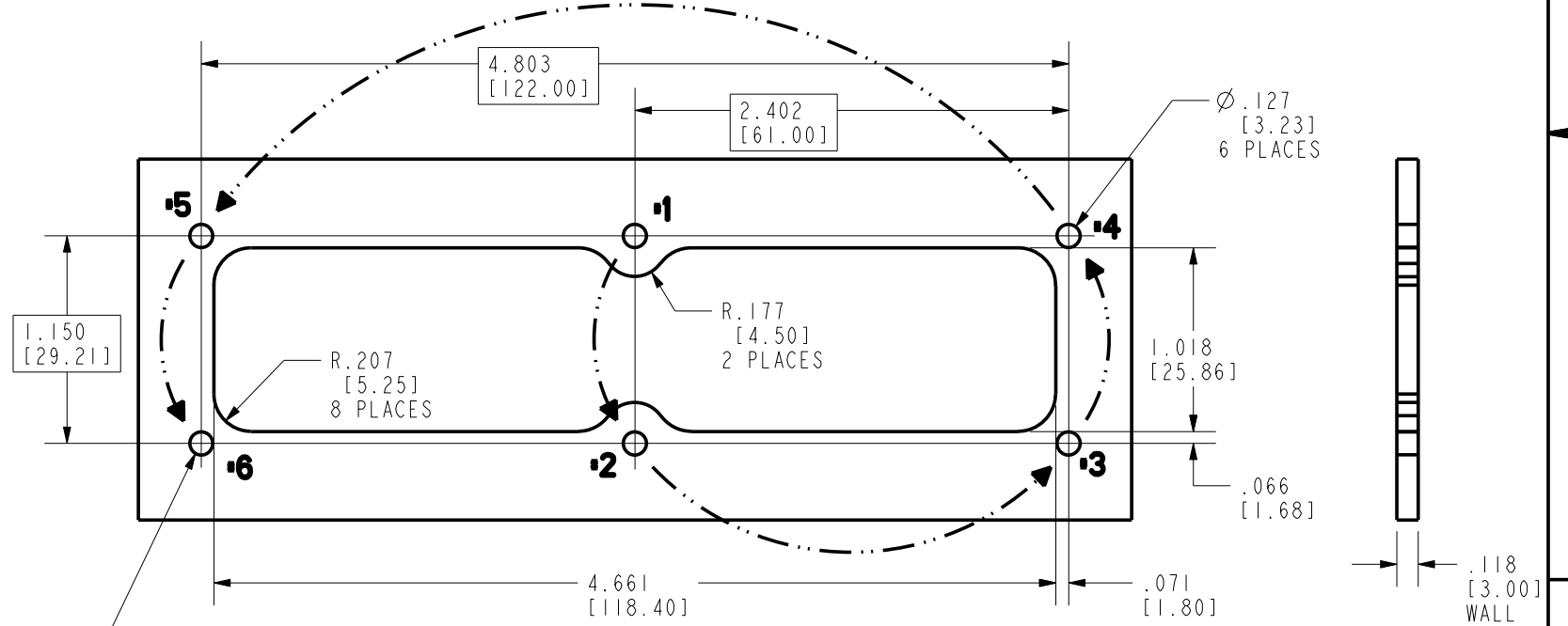
- SOLDERABILITY MEETS USCAR 5.4.1.
- MATES WITH A CINCH PUSH-TO-SEAT HARNESS CONNECTOR (CONSULT FACTORY).
- STANDARD CELL PACK: QUANTITY 75 PIECES.
- RECOMMENDED TORQUE:  
 JACKSCREWS: 15-20 IN-LBS [1.7-2.3 Nm]  
 PANEL SCREWS: 8.5±0.5 IN-LBS [0.9±0.1 Nm]  
 PCB RETENTION SCREWS: 2-3 IN-LBS [0.23-0.34 Nm]

UNITS	ENGLISH	PRO/E	Cinch		MODELED BY: J. DRYE
DO NOT SCALE DRAWING	DRAWN BY J. TOBACK	DATE 11/16/01	TITLE CONNECTOR ASSEMBLY, RECEPTACLE 60 POSITION		
	DESIGN ENGINEER J. TOBACK	11/16/01	MATERIAL		CONTROL SPEC NUMBER
	DESIGN ENGINEERING MGR. A. CAINES	11/16/01	MATERIAL SPEC NUMBER	FINISH	PROJECT NUMBER C13184
THIS DOCUMENT IS THE PROPERTY OF CINCH. NEITHER THIS DOCUMENT NOR ANY OF THE INFORMATION CONTAINED IN IT MAY BE DUPLICATED OR DISCLOSED WITHOUT PRIOR WRITTEN CONSENT OF CINCH.	MFG. ENGINEERING P. WALTHALL	12/06/01	CAD FILE NUMBER 5810160011S	DRAWING NUMBER 581 01 60 011S	
	QUALITY ASSURANCE T. SHAH	12/06/01	CAGE IDENT NO.   SIZE 71785   B	SCALE 1:1	SHEET 1 OF 2

PART NUMBER	HOUSING COLOR	POLARIZATION	PANEL SEAL COLOR
581 01 60 011	BLACK	"A"	BLUE
581 01 60 012	NATURAL, WHITE	"B"	BLUE
581 01 60 013	BLACK	"A"	OXIDE RED
581 01 60 014	NATURAL, WHITE	"B"	OXIDE RED

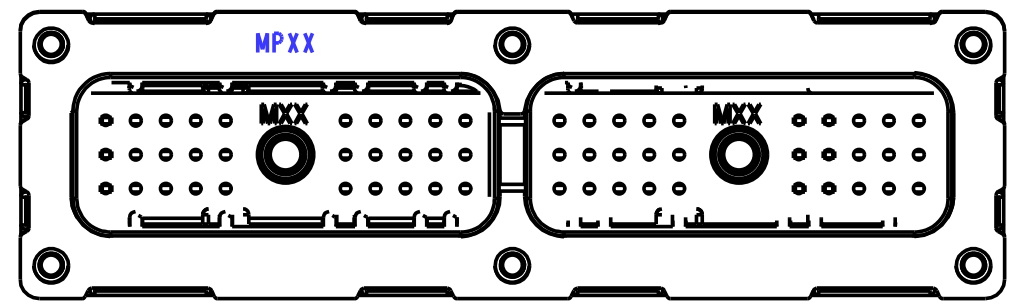


**RECOMMENDED P.C. BOARD LAYOUT**  
SCALE 1:1

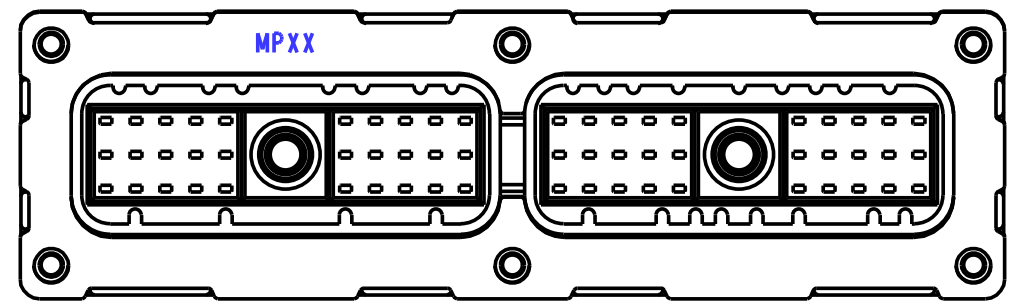


**MOUNTING HOLE / MODULE CASE OPENING**  
SCALE 1:1

RECOMMENDED BOLTING PATTERN: TO AVOID OVER-STRESSING THE PLASTIC HOUSING, TIGHTEN PANEL MOUNTING SCREWS PER THE INDICATED NUMBER SEQUENCE (1-THRU-6)



**POLARIZATION "A"**



**POLARIZATION "B"**

UNITS	ENGLISH		<b>Cinch</b>		1700 FINLEY RD. LOMBARD, IL. 60148
DO NOT SCALE DRAWING		TITLE CONNECTOR ASSEMBLY, RECEPTACLE 60 POSITION			
<b>PRO/E DRAWING</b>					
THIS DOCUMENT IS THE PROPERTY OF CINCH. NEITHER THIS DOCUMENT NOR ANY OF THE INFORMATION CONTAINED IN IT MAY BE DUPLICATED OR DISCLOSED WITHOUT PRIOR WRITTEN CONSENT OF CINCH.		CAD FILE NUMBER 5810160011S	DRAWING NUMBER <b>581 01 60 011S</b>	REV B	
CAGE IDENT NO. SIZE <b>71785 B</b>		SCALE 1:1	SHEET 2 OF 2		