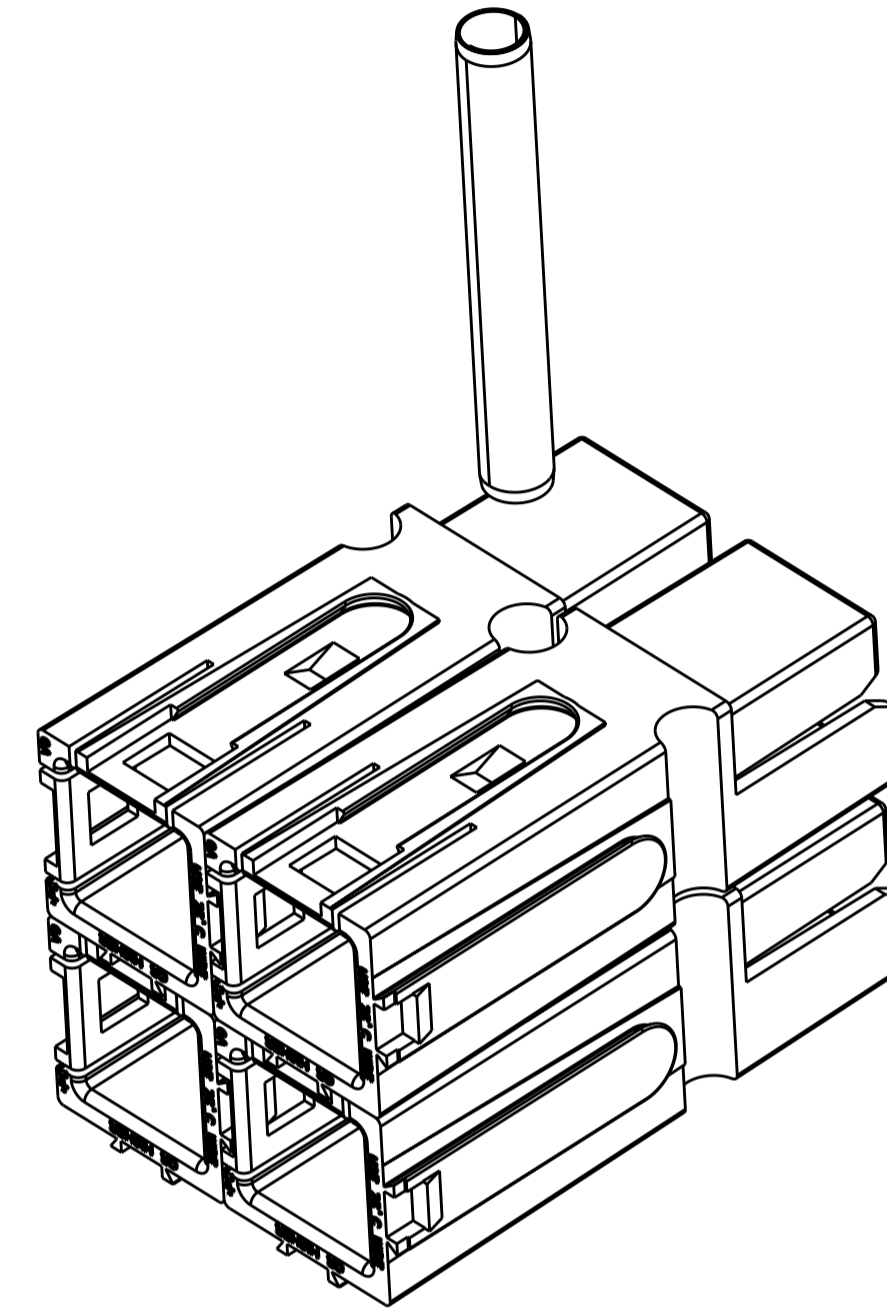
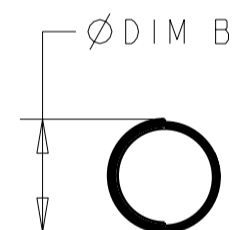
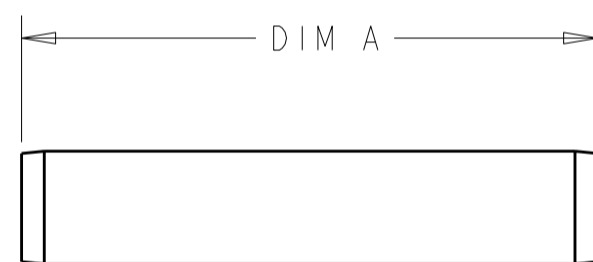
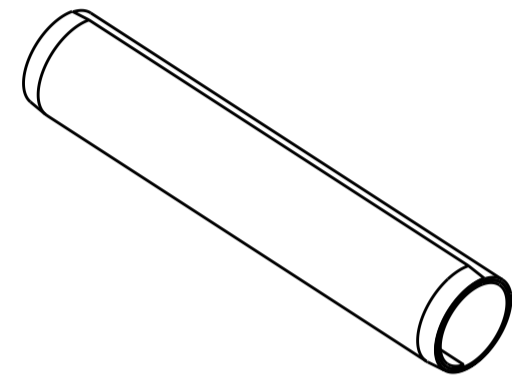


THIS DRAWING IS UNPUBLISHED. RELEASED FOR PUBLICATION 20
 © COPYRIGHT 20 BY - ALL RIGHTS RESERVED.

LOC	DIST	REVISIONS			
P	LTR	DESCRIPTION	DATE	DWN	APVD
CM	00				
P		REVISED PER ECO-11-005140	23MAR2011	RK	HMR



TYPICAL USES

⚠ OBSOLETE PARTS: OBSOLETE CIS STREAMLINING PER D.RENAUD/D.SINISI

⚠ OBSOLETE

2.36-2.51	21.59	1445886-6
2.51-2.69	11.18	1445886-5
2.49-2.62	6.35	1445886-4
5-5.25	38.10	1445886-3
5-5.25	25.40	1445886-2
5-5.25	14.22	1445886-1
Ø DIM B	DIM A	PART NUMBER

METRIC

THIS DRAWING IS A CONTROLLED DOCUMENT.		DWN	BH	15OCT01	TE Connectivity NAME RETAINER PIN, POWER PRODUCT
DIMENSIONS:		CHK	KAK	15OCT01	
mm		APVD	KAK	15OCT01	
TOLERANCES UNLESS OTHERWISE SPECIFIED: 0 PLC ±- 1 PLC ±- 2 PLC ±0.13 3 PLC ±- 4 PLC ±- ANGLES ±- FINISH		PRODUCT SPEC			
MATERIAL	302 STAINLESS STEEL	APPLICATION SPEC			SIZE
PASSIVATED		WEIGHT		-	CAGE CODE
		CUSTOMER DRAWING			DRAWING NO
		SCALE		3:1	RESTRICTED TO
		SHEET		1	OF
		REV		P	