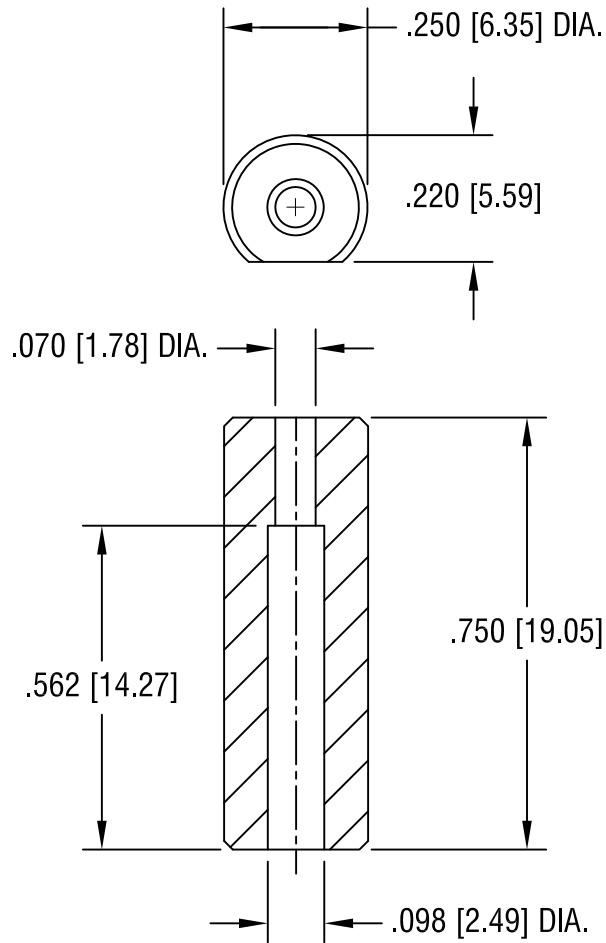


THIS DOCUMENT IS THE PROPERTY OF
KEYSTONE ELECTRONICS CORP. AND
SHALL NOT BE REPRODUCED, DISTRIBUTED
OR USED AS A BASIS FOR MANUFACTURE
WITHOUT PRIOR WRITTEN PERMISSION
FROM KEYSTONE ELECTRONICS CORP.



KEYSTONE ELECTRONICS CORP.

www.keyelco.com • ASTORIA, N.Y. 11105-2017 • Tel (718) 956-8900

PART NAME		ANVIL	
MATERIAL		C.R.S.	
FINISH		DRN BY	DATE
ZINC PLATE		BOONE	7.30.07
TOLERANCES		APP'D	SCALE
DECIMAL ± .005 [± 0.13]		LN	3X
ANGULAR ± 1°		DWG NO.	
UNLESS OTHERWISE SPECIFIED		1716	

DATE	DESCRIPTION	REV.
------	-------------	------