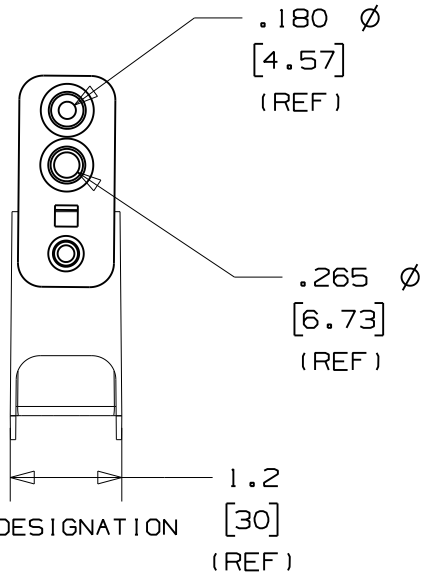
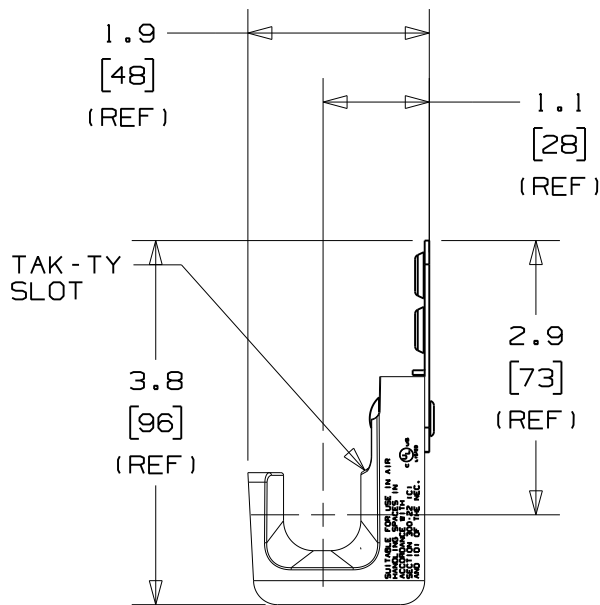
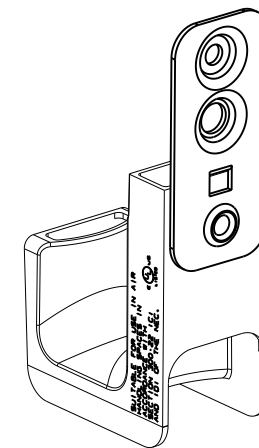


THIS COPY IS PROVIDED ON A RESTRICTED BASIS AND IS NOT TO BE USED IN ANY WAY DETRIMENTAL TO THE INTERESTS OF PANDUIT CORP.



PANDUIT PART NO.	WEIGHT lbs 10 (g) pcs
JP75WP2B- ---	0.75 (340)



- NOTES:
- SEE CURRENT PRICE SHEET FOR PART NUMBER SUFFIX DESIGNATION FOR PACKAGE SIZE AND PRODUCT COLOR.
 - HOOK MATERIAL: NYLON 6/6
PLATE MATERIAL: PRE-GALVANIZED STEEL
RIVET MATERIAL: ALUMINUM
 - PRODUCT IS DESIGNED TO SUPPORT A MAXIMUM OF 3/4" (19.05) DIAMETER BUNDLE. MAXIMUM RECOMMENDED STATIC LOAD: 15 lbs.
 - PRODUCT INCORPORATES FEATURES ALLOWING USER TO RETAIN CABLE BUNDLES IN J-PRO J-HOOK WITH TAK-TY CABLE TIES UP TO 3/4" WIDE.
 - PRODUCT MARKINGS:
cULus logo and statement:
"SUITABLE FOR USE IN AIR HANDLING SPACES IN ACCORDANCE WITH SECTION 300-22 (C) & (D) OF THE NATIONAL ELECTRIC CODE."
"FOR USE INDOORS"
ULC logo and statement:
"LISTED IN ACCORDANCE WITH CAN/ULC S-102.2-10 MOUNTED IN SINGLE UNITS OR PAIRS, MINIMUM SPACING 4 ft (1220mm) BETWEEN MOUNT POINTS FSR=0, SDC=35."

TITLE J-PRO J-HOOK WITH PLATE FOR POWDER ACTUATED FASTENERS (JP75WP2B- ---) CUSTOMER DRAWING		PANDUIT TM
ITEM REVISION NAME 121031AE/00	MATERIAL: SEE NOTE 2	
DATASET FILE NAME 121031AE_DC_C11004/00A		DRAWING NUMBER: C11004
UNLESS OTHERWISE SPECIFIED, DIMENSIONAL TOLERANCES ARE: IN (mm) .x : .1 (2.54) .xxx : .005 (0.127) .xx : .01 (0.25) ANGLES : 5 °		
THIRD ANGLE PROJECTION		
DRAWN BY DBLA	DATE 10/28/2012	CHK KLN
SCALE NONE		SIZE A

OO	10/28/2012	DBLA	GGC	KLN	INITIAL RELEASE	GAECN00223
REV	DATE	BY	CHK	APR	DESCRIPTION	ECN

D1101000A/1/2