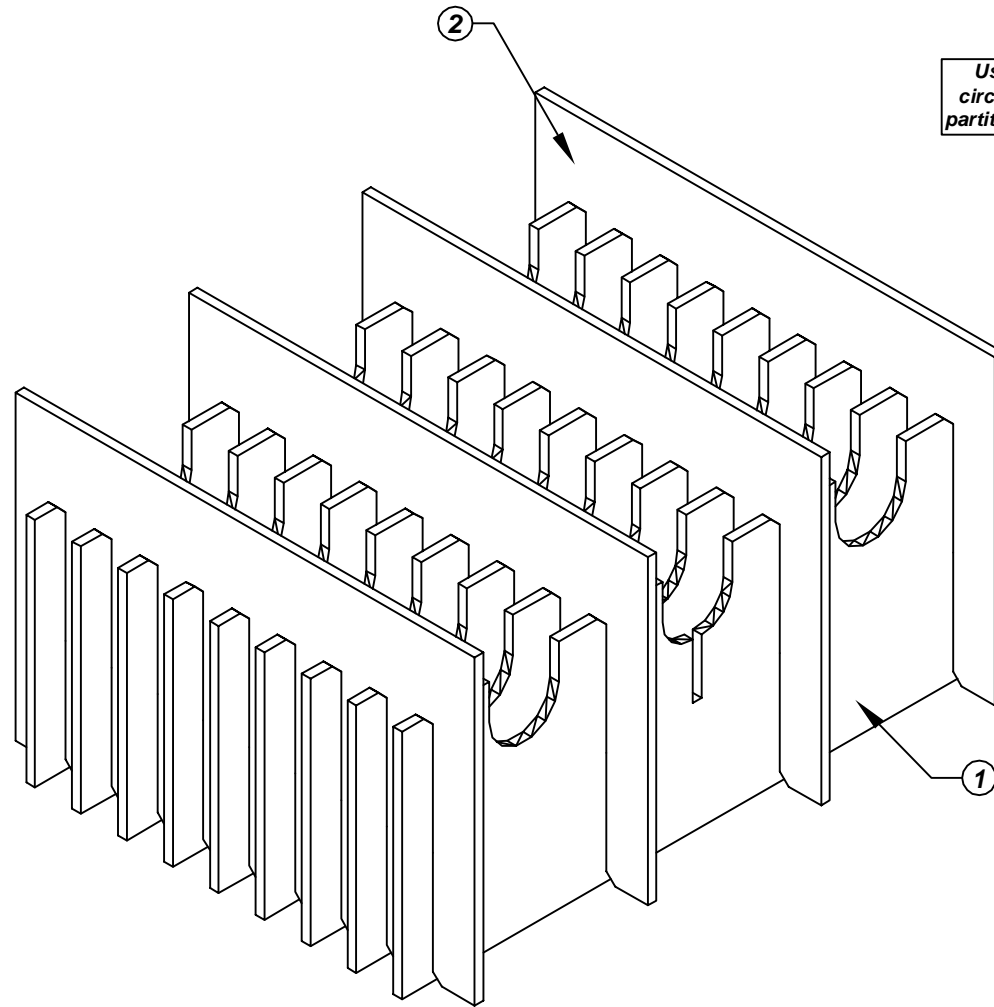
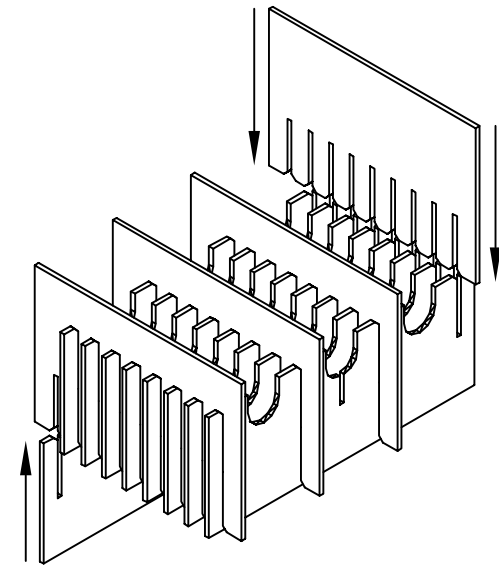
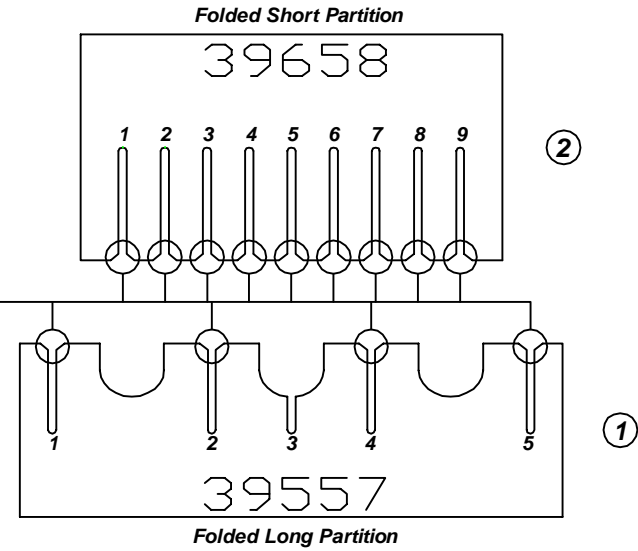


Assembly Instructions for - 37251



Use only the circled slots for partition assembly



Made in America

F/N ①	Part # 39557	Dimensions: 13-7/16" x 16-7/8"	Description: 436/438-LP Long Partition	Qty: 9
F/N ②	Part # 39658	Dimensions: 17-7/16" x 13-1/8"	Description: 438-SP Short Partition	Qty: 4

37251 - 30 Cell Inplant Handler
Cell Size - 8-3/4" x 4-5/8" x 1"

Notes:
 For use with the following storage container & lid:
 37512 - Storage Container
 37551 - Lid

PROTEKTIVE PAK
 13520 MONTE VISTA AVENUE, CHINO, CA 91710
 PHONE (909) 627-2578, FAX (909) 363-7331
 ProtoktivePak.com

PROTEKTIVE PAK
 BURIED CONDUCTIVE LAYER

DRAWING NUMBER
IPH-37251

DATE
 Dec.
 2007