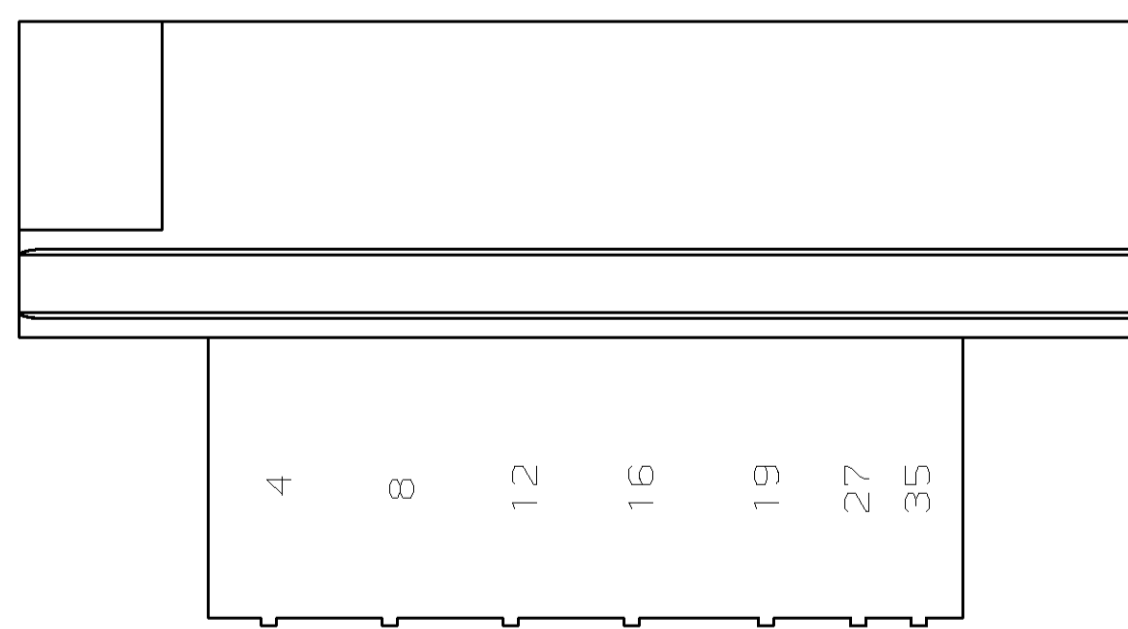
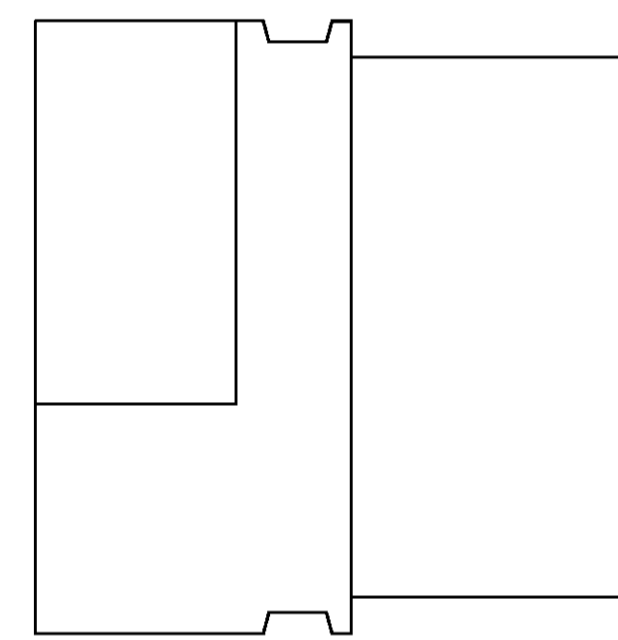
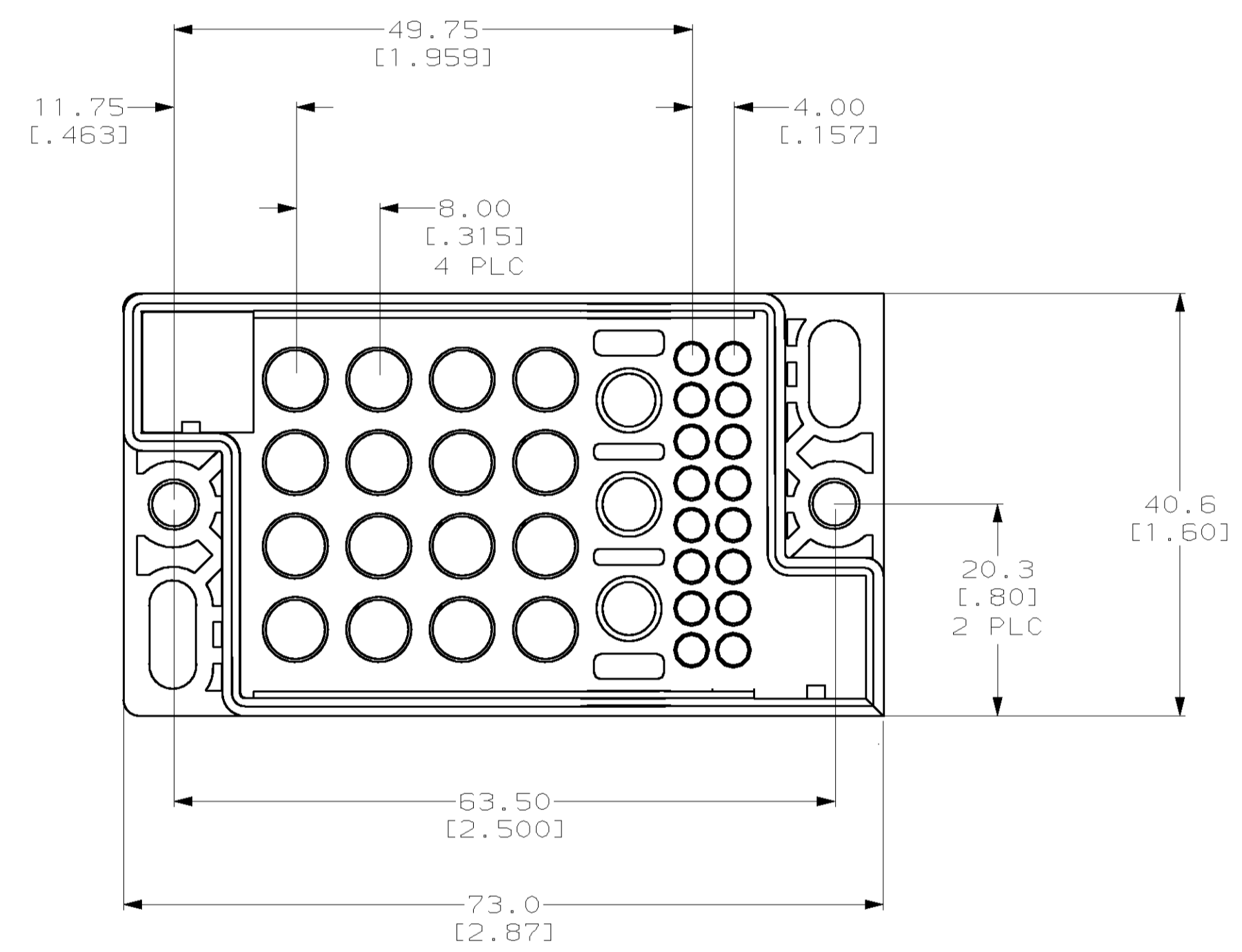
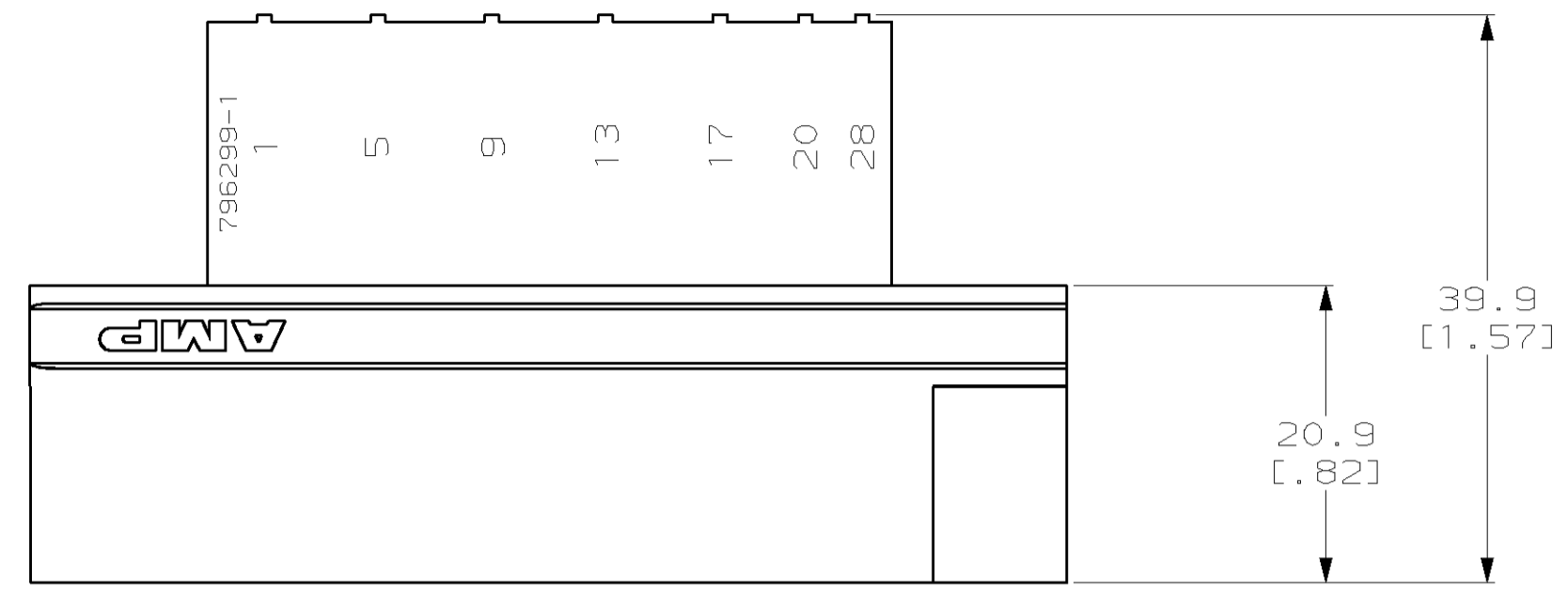


LOC	DIST	REVISIONS				
CH	11	REV	DESCRIPTION	DATE	BY	APVD
		0	RLSD PER NPR 1	24FEB00	LM	GS

*AMPOWER is a trademark



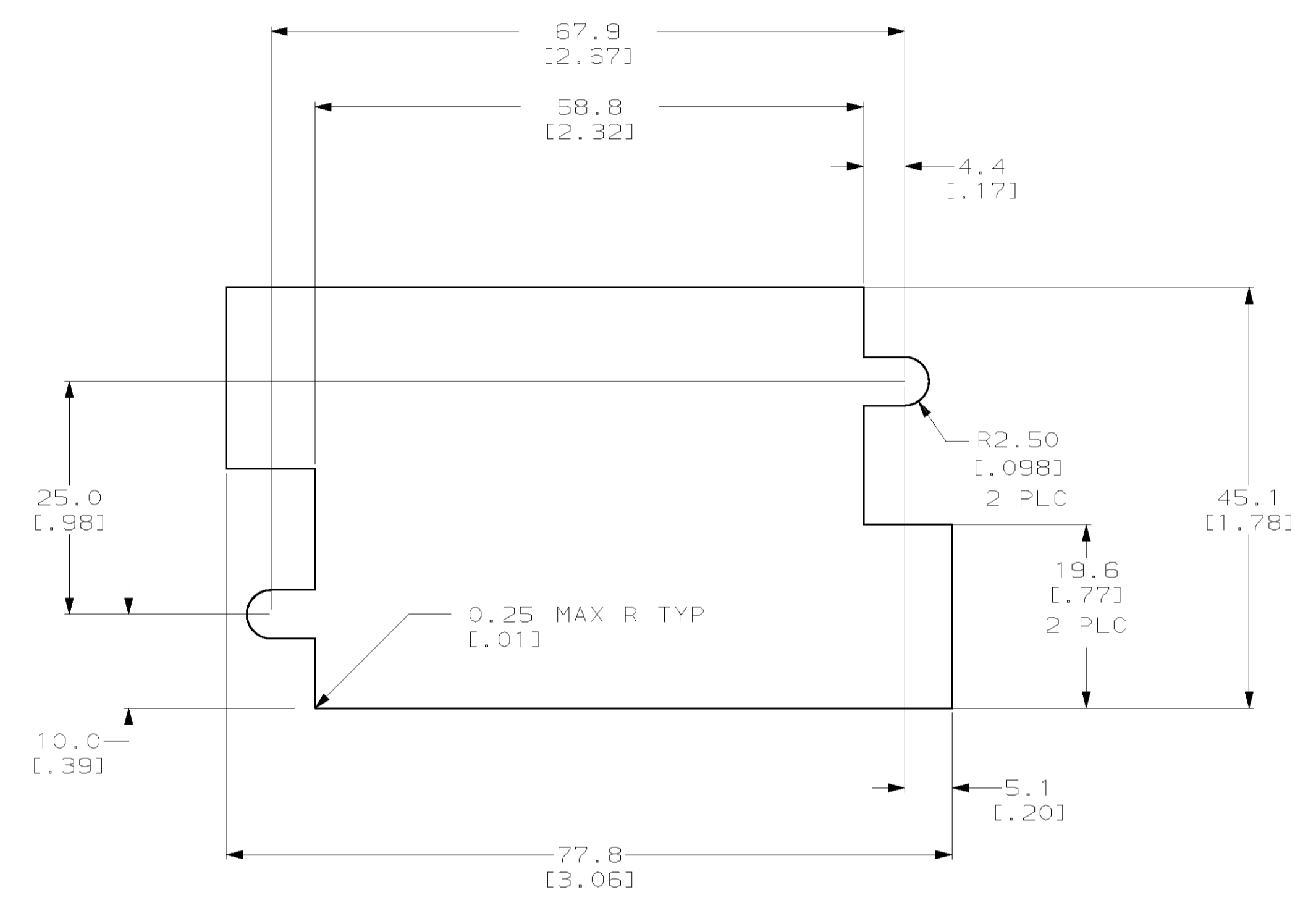
1. MATERIAL: POLYESTER PCT; BLACK.
2. POSITIONS 1-19 ARE FOR 3mm CONTACTS.
3. POSITIONS 20-35 ARE FOR SIZE 16 CONTACTS.
4. ALL DIMENSIONS, EXCEPT PANEL CUTOUTS, ARE REFERENCE ONLY.

796299-1
PART NO.

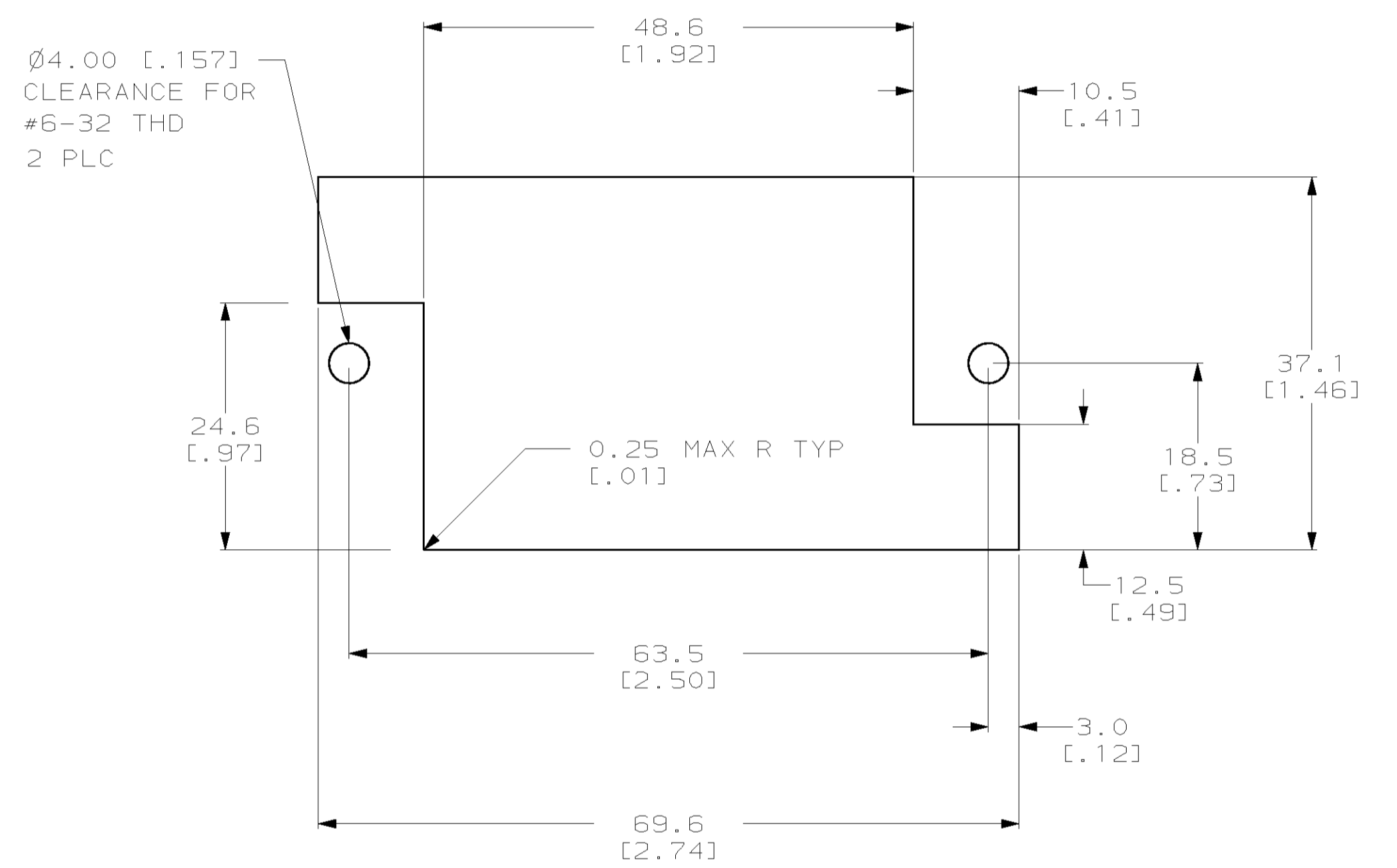
THIS DRAWING IS A CONTROLLED DOCUMENT.		DWN L. McEACHIN 24-FEB-2000	AMP Incorporated Harrisburg, PA 17105-3608	
DIMENSIONS: mm (INCHES)		CHK G. STEINHAEUER 24-FEB-2000	NAME AMP POWER* MULTI PIN PLUS HOUSING, RECEPTACLE 35 POSITION	
TOLERANCES UNLESS OTHERWISE SPECIFIED:		APVD G. STEINHAEUER 24-FEB-2000	RESTRICTED TO	
0 PLC ±.015		PRODUCT SPEC	SIZE CAGE CODE DRAWING NO	
1 PLC ±.015		APPLICATION SPEC	A1 00779 C- 796299	
2 PLC ±.015		WEIGHT	SCALE 2:1 SHEET 1 OF 2 REV 0	
3 PLC ±.015		CUSTOMER DRAWING		
4 PLC ±.015				
MATERIAL				
FINISH				

LOC	DIST	REVISIONS				
CH	11	REV	DESCRIPTION	DATE	OWN	APVD
-	-	-	SEE SHEET 1	-	-	-

*AMPOWER is a trademark



RECOMMENDED FLOAT MOUNT PANEL CUTOUT
 EXTERNAL VIEW



RECOMMENDED STATIONARY MOUNT PANEL CUTOUT
 EXTERNAL VIEW

THIS DRAWING IS A CONTROLLED DOCUMENT.		DWN L. McEACHIN 24-FEB-2000	AMP Incorporated Harrisburg, PA 17105-3608
DIMENSIONS: mm (INCHES)		CHK G. STEINHAUER 24-FEB-2000	
TOLERANCES UNLESS OTHERWISE SPECIFIED:		APVD G. STEINHAUER 24-FEB-2000	NAME AMPPOWER* MULTI PIN PLUS HOUSING, RECEPTACLE 35 POSITION
0 PLC ±-	1 PLC ±0.25	PRODUCT SPEC	SIZE A1
2 PLC ±0.12 [.01]	3 PLC ±(.005)	APPLICATION SPEC	CAGE CODE 00779
4 PLC ±-	ANGLES ±-	WEIGHT	DRAWING NO 796299
MATERIAL	FINISH	CUSTOMER DRAWING	RESTRICTED TO
		SCALE 2:1	SHEET 2 OF 2
		REV 0	