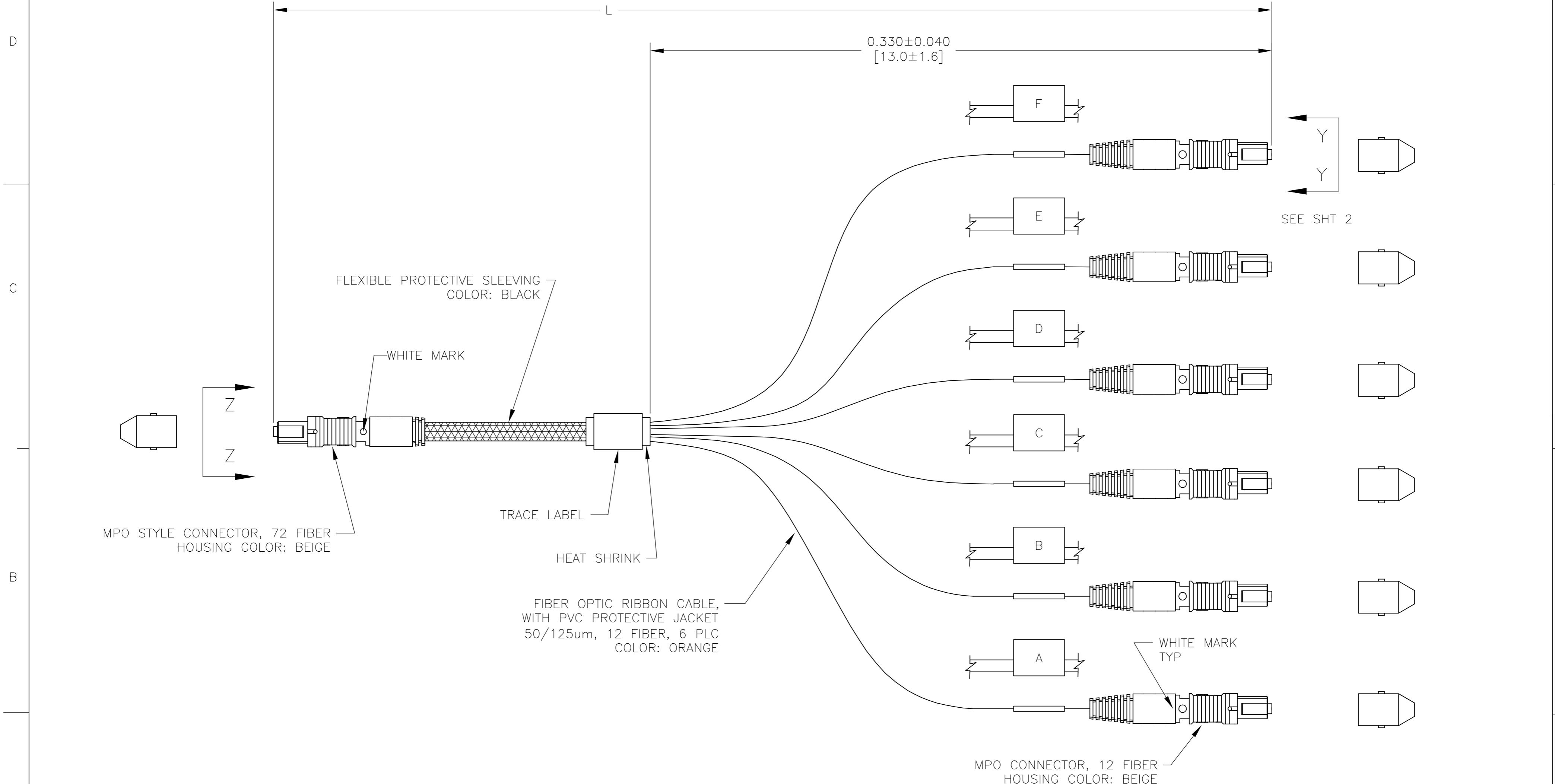


THIS DRAWING IS UNPUBLISHED. RELEASED FOR PUBLICATION  
 © COPYRIGHT BY TYCO ELECTRONICS CORPORATION. ALL RIGHTS RESERVED.

LOC	DIST	REVISIONS		
CE	16	P	LTR	DESCRIPTION
		A		RELEASED
				DATE
				21MAR06
				OWN
				KH
				APVD
				JB



MPO STYLE CONNECTOR, 72 FIBER  
HOUSING COLOR: BEIGE

FLEXIBLE PROTECTIVE SLEEVING  
COLOR: BLACK

WHITE MARK

TRACE LABEL

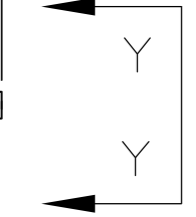
HEAT SHRINK

FIBER OPTIC RIBBON CABLE,  
WITH PVC PROTECTIVE JACKET  
50/125um, 12 FIBER, 6 PLC  
COLOR: ORANGE

MPO CONNECTOR, 12 FIBER  
HOUSING COLOR: BEIGE  
NO PINS  
6 PLC

WHITE MARK  
TYP

0.330 ± 0.040  
[13.0 ± 1.6]



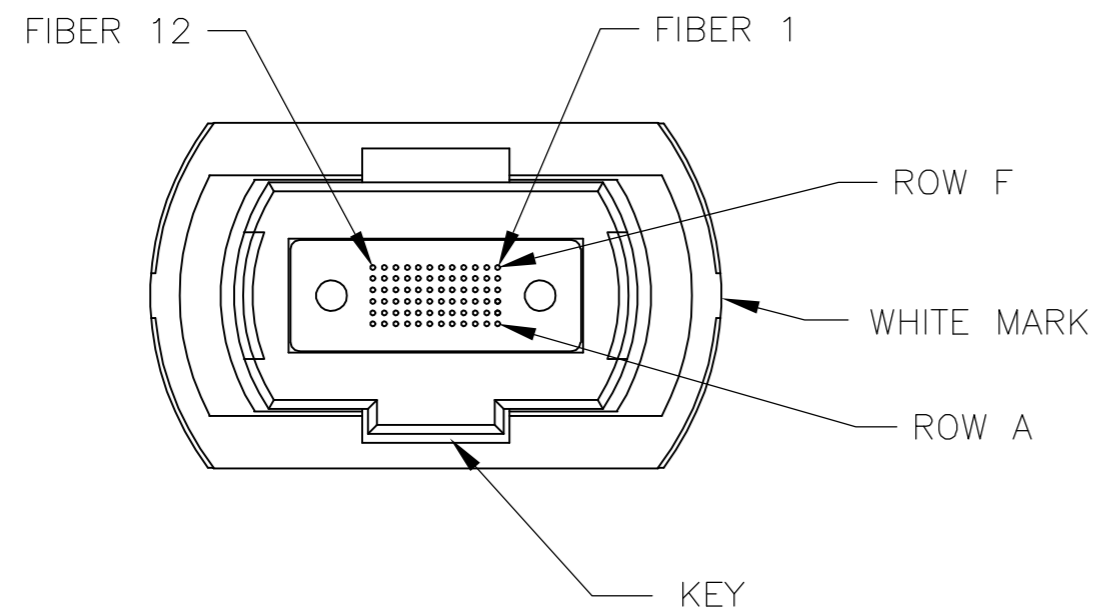
SEE SHT 2

1.000 ± 0.080 [39.4 ± 3.1]	6693067-1
L METERS [INCHES]	PART NUMBER

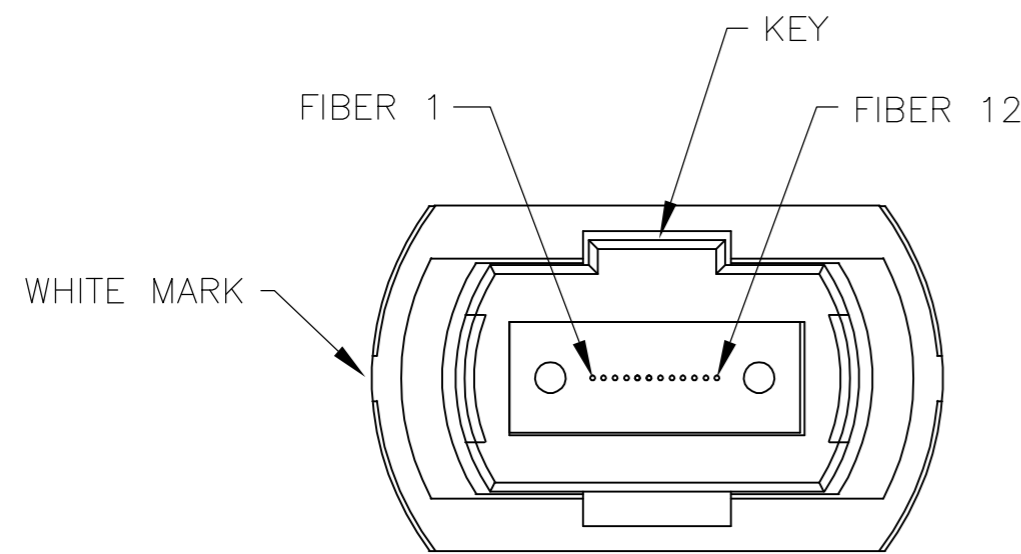
THIS DRAWING IS A CONTROLLED DOCUMENT.		DWN	KATHY HE	21MAR06	Tyco Electronics Corporation Harrisburg Pa, 17105-3608
DIMENSIONS: METERS [INCHES]		CHK	J.BARRY	21MAR06	
TOLERANCES UNLESS OTHERWISE SPECIFIED:		APVD	J.BARRY	21MAR06	NAME
0 PLC	± -	PRODUCT SPEC		CABLE ASSEMBLY, FIBER OPTIC, 50/125um, 72 FIBER, RIBBON, MPO STYLE W/O PINS, TO 6 MPO W/O PINS	
1 PLC	± -	APPLICATION SPEC		SIZE	A2
2 PLC	± -	MATERIAL		CAGE CODE	00779
3 PLC	± -	FINISH		DRAWING NO	6693067
4 PLC	± -	WEIGHT		RESTRICTED TO	-
ANGLES	± -	CUSTOMER DRAWING		SCALE	NTS
		SHEET		1	OF 2
		REV		A	

THIS DRAWING IS UNPUBLISHED. RELEASED FOR PUBLICATION  
 © COPYRIGHT BY TYCO ELECTRONICS CORPORATION. ALL RIGHTS RESERVED.

LOC	DIST	REVISIONS					
		P	LTR	DESCRIPTION	DATE	DWN	APVD
CE	16	-	-	SEE SHEET 1	-	-	-



VIEW Z-Z  
NOT TO SCALE



VIEW Y-Y  
NOT TO SCALE

	72 FIBER MPO		12 FIBER MPO
ROW F	1 ↓ 12	F	1 ↓ 12
ROW E	1 ↓ 12	E	1 ↓ 12
ROW D	1 ↓ 12	D	1 ↓ 12
ROW C	1 ↓ 12	C	1 ↓ 12
ROW B	1 ↓ 12	B	1 ↓ 12
ROW A	1 ↓ 12	A	1 ↓ 12

CONNECTOR FIBER PATH

- MAXIMUM INSERTION LOSS (1300nm):  
 72 FIBER MPO - 1.0dB  
 12 FIBER MPO - 0.5dB
- PRODUCT AND PROCESSING MUST MEET REQUIREMENTS OF TYCO ELECTRONICS STANDARD 230-702.

THIS DRAWING IS A CONTROLLED DOCUMENT.		DWN	21MAR06	 Tyco Electronics Corporation Harrisburg Pa, 17105-3608																				
DIMENSIONS: METERS [INCHES]		CHK	21MAR06																					
TOLERANCES UNLESS OTHERWISE SPECIFIED:		APVD	21MAR06																					
<table border="0"> <tr><td>0 PLC</td><td>±</td><td>-</td></tr> <tr><td>1 PLC</td><td>±</td><td>-</td></tr> <tr><td>2 PLC</td><td>±</td><td>-</td></tr> <tr><td>3 PLC</td><td>±</td><td>-</td></tr> <tr><td>4 PLC</td><td>±</td><td>-</td></tr> <tr><td>ANGLES</td><td>±</td><td>-</td></tr> <tr><td>FINISH</td><td>-</td><td>-</td></tr> </table>		0 PLC	±		-	1 PLC	±	-	2 PLC	±	-	3 PLC	±	-	4 PLC	±	-	ANGLES	±	-	FINISH	-	-	NAME
0 PLC	±	-																						
1 PLC	±	-																						
2 PLC	±	-																						
3 PLC	±	-																						
4 PLC	±	-																						
ANGLES	±	-																						
FINISH	-	-																						
MATERIAL		PRODUCT SPEC	CABLE ASSEMBLY, FIBER OPTIC, 50/125um, 72 FIBER, RIBBON, MPO STYLE W/O PINS, TO 6 MPO W/O PINS																					
		APPLICATION SPEC	SIZE	A2																				
		WEIGHT	CAGE CODE	00779																				
		CUSTOMER DRAWING	DRAWING NO	C=6693067																				
			RESTRICTED TO	-																				
			SCALE	NTS																				
			SHEET	2 OF 2																				
			REV	A																				

6693067