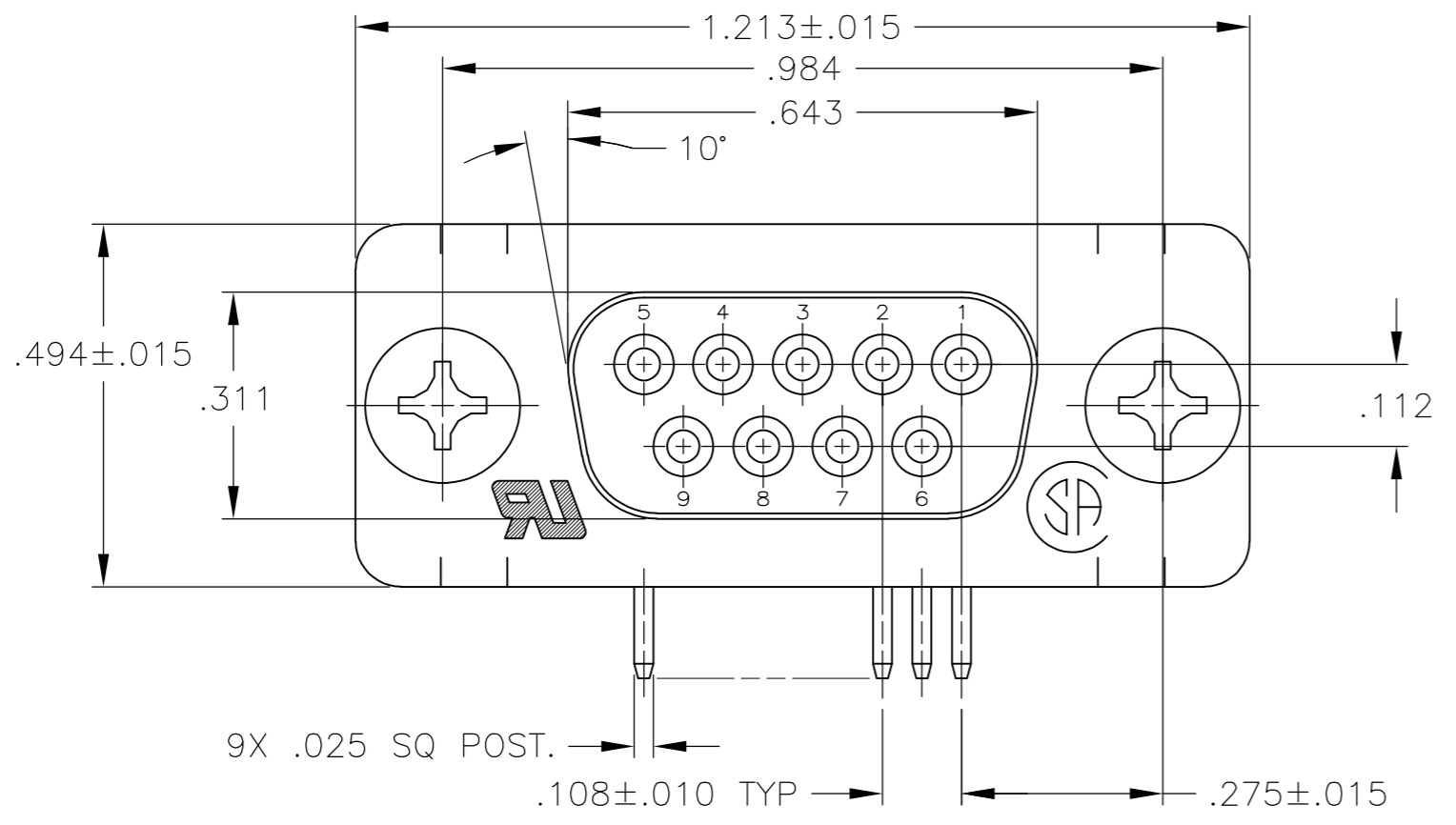
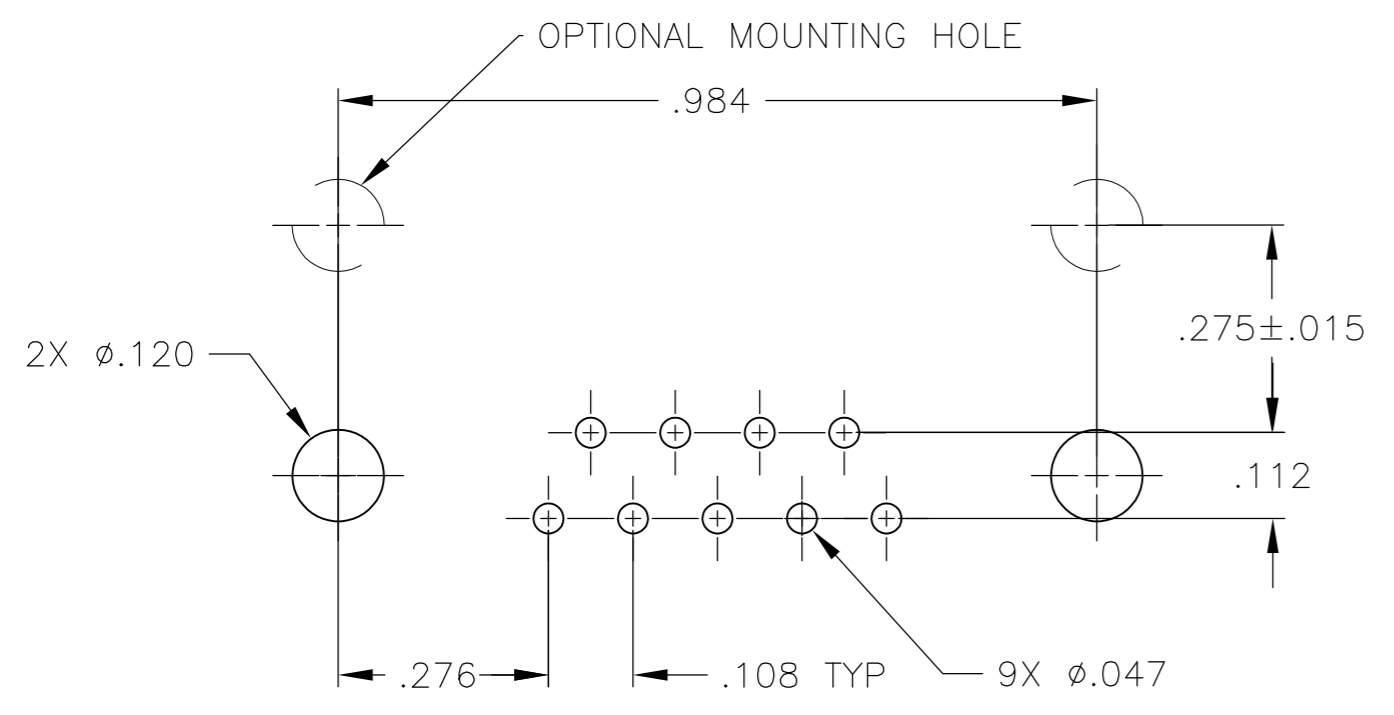
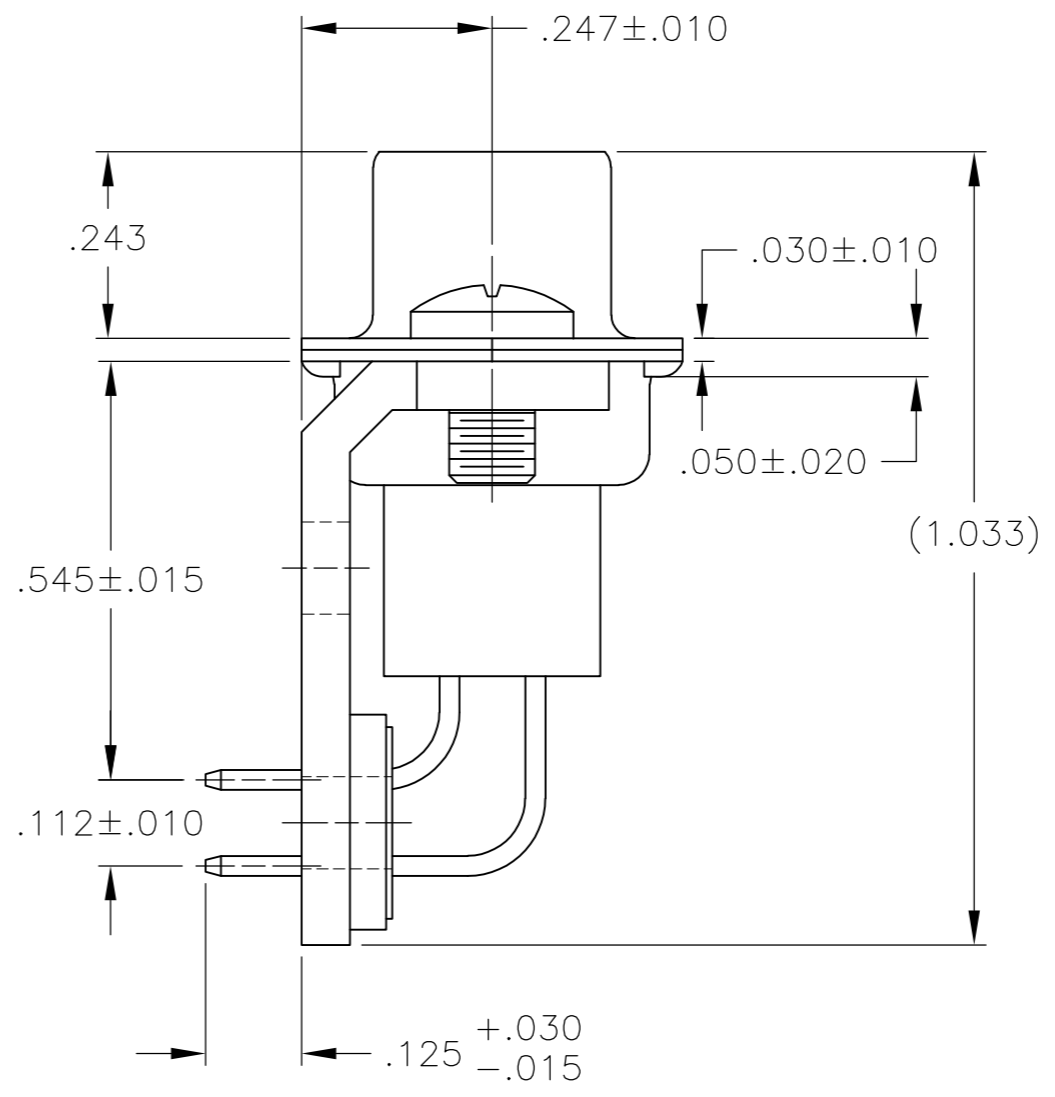
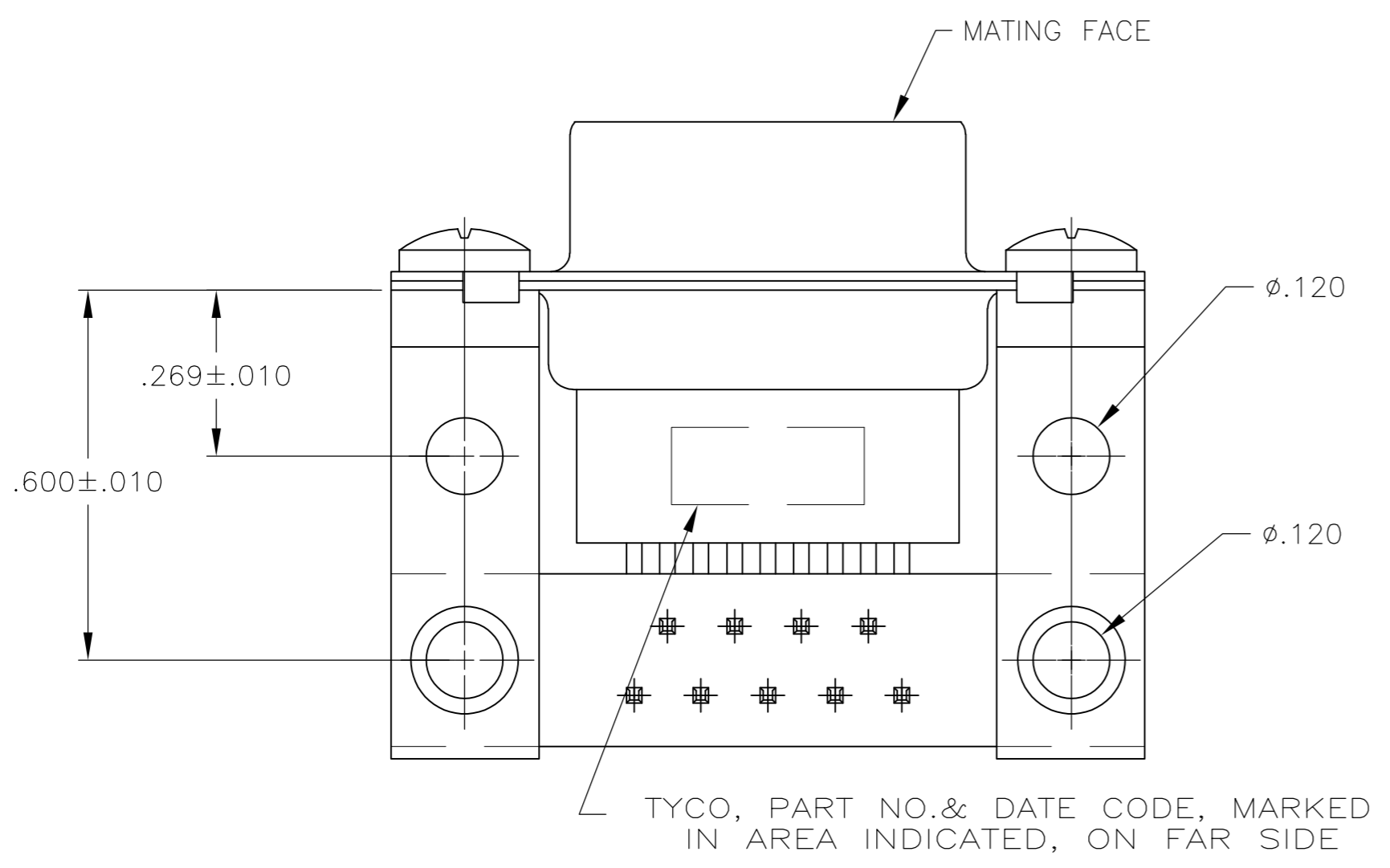


THIS DRAWING IS UNPUBLISHED. RELEASED FOR PUBLICATION  
 © COPYRIGHT 2005 By - ALL RIGHTS RESERVED.

LOC		DIST		REVISIONS					
P	LTR	DESCRIPTION	DATE	DWN	APVD				
GP	00			A		REVISED PER ECO-14-011808	11AUG2014	AP	SB



- 1 MOLDED PARTS: GLASS-FILLED PBT OR GLASS-FILLED NYLON, L94V-0 RATED. COLOR: BLACK.  
SHELLS & BRACKETS: CARBON STEEL  
CONTACTS: PHOS BRONZE
- 2 SHELLS & BRACKETS: ZINC PLATED YELLOW CHROMATE COATING.  
CONTACTS: GOLD FLASH FOR A LENGTH OF .100 MINIMUM FROM MATING END, .000100 MINIMUM TIN ON OPPOSITE END, BOTH OVER .000050 MINIMUM NICKEL.



P.C. BOARD MOUNTING DIMENSIONS

5205866-1  
PART NUMBER

THIS DRAWING IS A CONTROLLED DOCUMENT.		DWN	G.PETERS	17OCT05		TE Connectivity						
DIMENSIONS: INCHES		CHK	S.BOLASH	17OCT05		NAME						
TOLERANCES UNLESS OTHERWISE SPECIFIED:		APVD	M.WALMSLEY	17OCT05		PRODUCT SPEC						
0 PLC ± - 1 PLC ± - 2 PLC ± - 3 PLC ± ±.005 4 PLC ± - ANGLES ± ±2° FINISH		APPLICATION SPEC		108-40025								
MATERIAL	1	WEIGHT	-		SIZE	A2	CAGE CODE	00779	DRAWING NO	C=5205866	RESTRICTED TO	-
CUSTOMER DRAWING		SCALE	4:1		SHEET	1 of 1		REV	A			

5205866