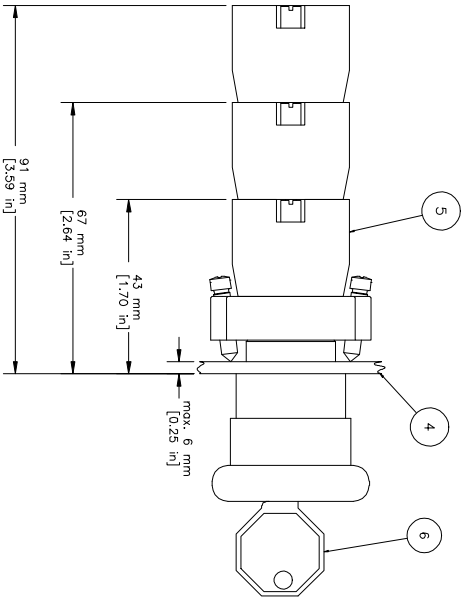
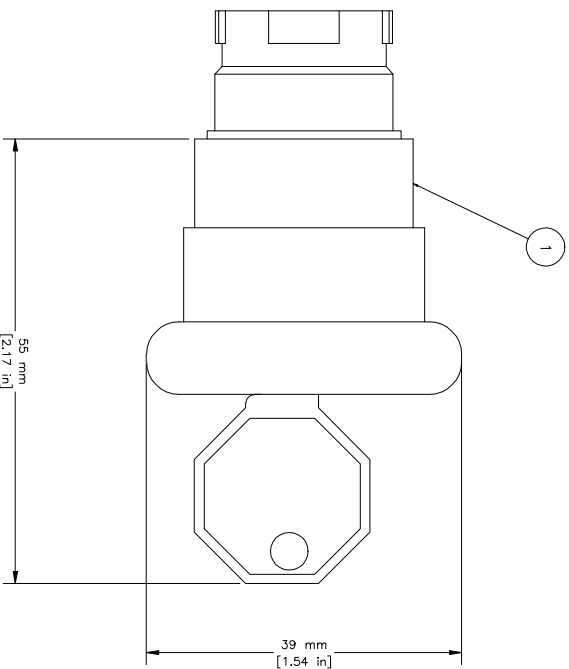
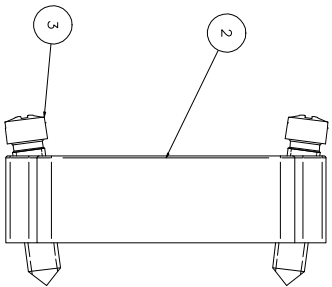
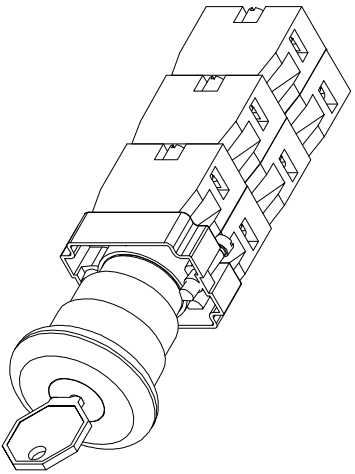


REVISIONS FOR DWG # 1PB-2AMLKBx			
REV. CH. NO.	DESCRIPTION	DATE	REVISED BY
-	ORIGINAL DESIGN	10/22/07	Phil E.



ITEM	DESCRIPTION	CAT. NO.	COLOR	MIN. QTY.	MAX. QTY.
1	Mushroom with Key Release(comes with mounting bracket 2BRK)	2AMLKB1	White	1	1
		2AMLKB2	Black	1	1
		2AMLKB3	Green	1	1
		2AMLKB4	Red	1	1
		2AMLKB6	Blue	1	1
		2AMLKB8	Yellow	1	1
2	Mounting Bracket	2BRK	-	1	1
3	Mounting Bracket Screws	Incl. in 2BRK	-	2	2
4	Panel	-	-	-	-
5	Switch Contacts	S1	Green	1	6
		S2	Red	1	6
		S3	Green/Gray	1	6
		S4	Red/Gray	1	6
6	Replacement Key	2KY455	-	1	1

TITLE: 22 mm Non-Illuminated Mushroom with Key
Release Metal Operator 2AMLKBx (x=color)

DRAWN BY: Phillip Ernstberger	10/22/07	DRAWING NO.:	1PB-2AMLKBx	REV.:	-
CHECKED BY: Laszlo Gyorgypal	10/22/07	SCALE:	-	SHEET:	1 OF 1
RELEASED BY: Laszlo Gyorgypal	10/22/07				

THIS DRAWING IS THE PROPERTY OF
Attech Corp.
35 Royal Road
Flemington NJ 08822-6000
(908) 806-9400 • Fax (908) 806-9490

AND IS A CONFIDENTIAL DISCLOSURE
LENT WITHOUT CONSIDERATION OTHER
THAN THE BORROWER'S AGREEMENT
THAT IT SHALL NOT BE REPRODUCED,
COPIED, LENT, OR DISPOSED OF
DIRECTLY OR INDIRECTLY NOR USED
FOR ANY PURPOSE OTHER THAN THAT
FOR WHICH IT IS SPECIFICALLY
FURNISHED.

UNLESS OTHERWISE SPECIFIED
• ALL DIMENSIONS ARE IN MILLIMETERS
• THIRD ANGLE PROJECTION

TOLERANCE

XX	±1 mm
XX X	±0.5 mm
XX.XX	±0.2 mm
ALL	- mm

M-H-R-C