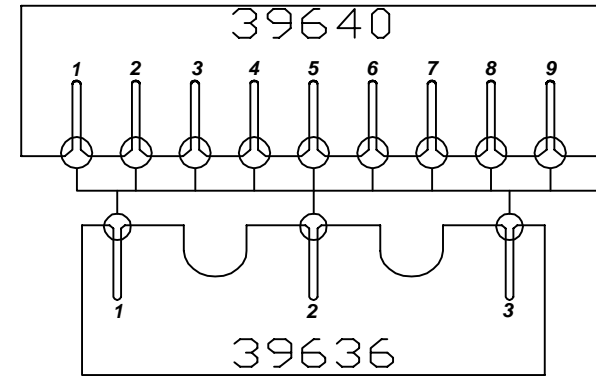


Assembly Instructions for - 37202

Folded Long Partition

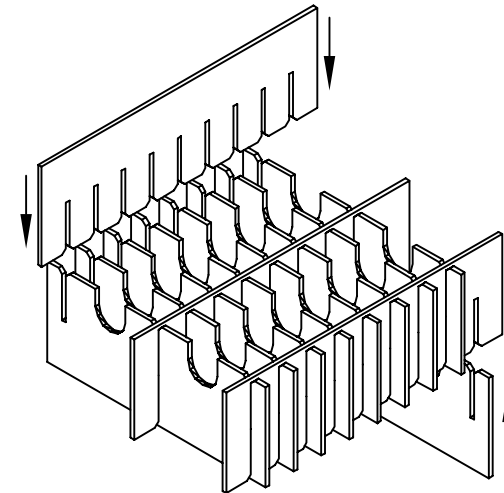
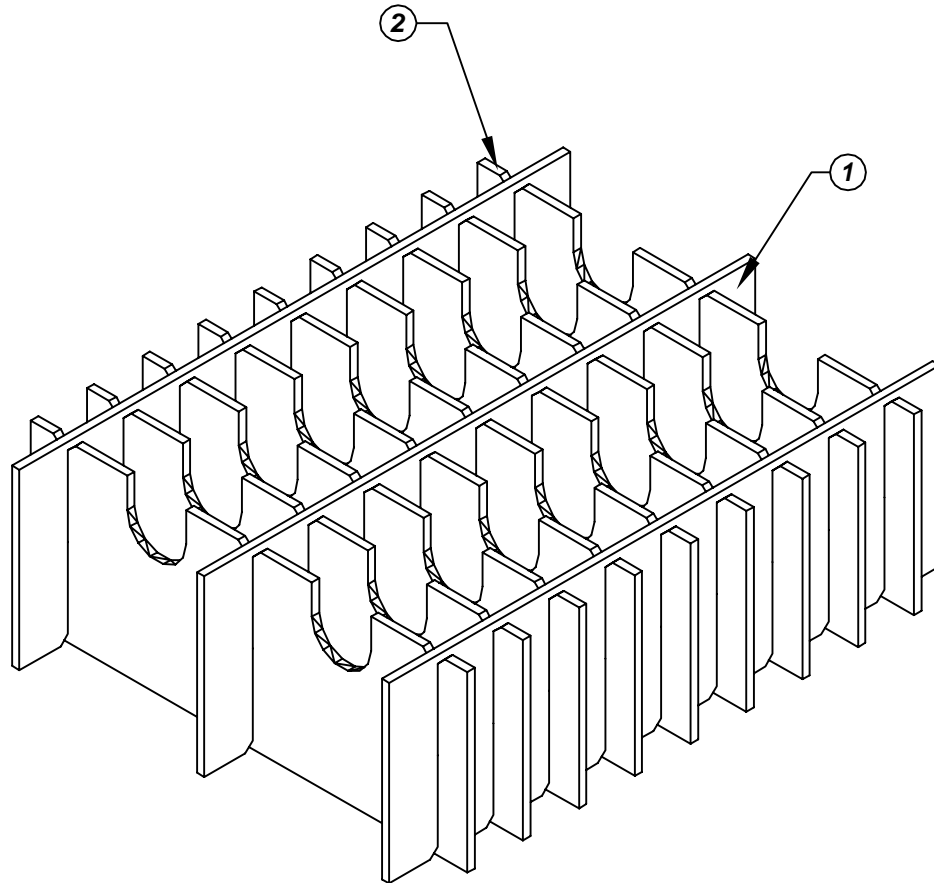


①

Use only the circled slots for partition assembly

②

Folded Short Partition



Made in America

| F/N | Part # | Dimensions: | Description: | Qty: |
|-----|--------|---------------|-----------------------------|------|
| ① | 39640 | 12" x 18-5/8" | 406-HLP Long Partition | 3 |
| ② | 39636 | 12" x 14-3/4" | 406/468-HSP Short Partition | 9 |

37202 - 20 Cell Inplant Handler Cell Size - 5-7/8" x 6-1/4" x 1-5/8"

Notes:
For use with the following storage container & lid:
37506 - Storage Container
37554 - Lid

PROTEKTIVE PAK
13520 MONTE VISTA AVENUE, CHINO, CA 91710
PHONE (909) 627-2578, FAX (909) 363-7331
ProtektivePak.com



DRAWING NUMBER
IPH-37202

DATE
Nov. 2007