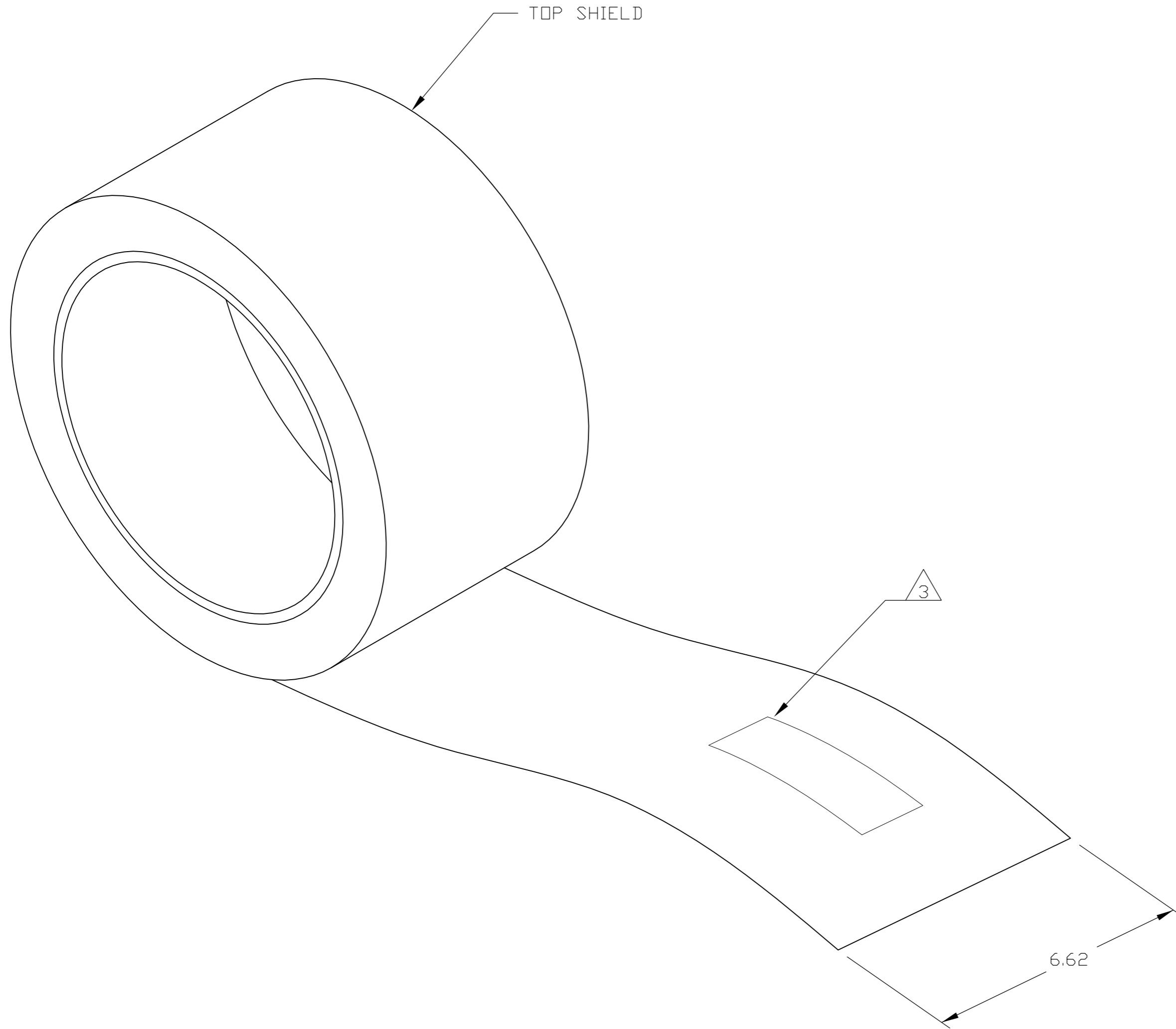


THIS DRAWING IS UNPUBLISHED. RELEASED FOR PUBLICATION
 © COPYRIGHT - By - ALL RIGHTS RESERVED.

LOC	DIST	REVISIONS			
P	LTR	DESCRIPTION	DATE	DWN	APVD
HM	00	F	REV; ECO-12-020494	26NOV2012	GG MS



1. ALL DIMENSIONS SHOWN ARE FOR REFERENCE ONLY UNLESS OTHERWISE SPECIFIED.
- 2 MATERIAL: 304 STAINLESS STEEL STRIP, .010 THICK.
- 3 SHIELD MARKED IN CENTER OF STRIP EVERY 2 FEET WITH THIS SIDE UP, TYCO ELECTRONICS PN 553536; 10/12 AWG Ⓢ Ⓞ. WARNING THIS CIRCUIT MUST BE DE-ENERGIZED BEFORE REMOVAL OF THIS METAL SHIELD. THIS SYSTEM MUST BE SERVICED BY AN AUTHORIZED ELECTRICIAN. AVERTISSEMENT-METTRE LE CIRCUIT HORS-TENSION AVANT D'ENLEVER L'ECRAN METALLIQUE. LE DÉPANNAGE DE CE SYSTÈME DOIT ÊTRE CONFIE À UN MATRE ÉLECTRICIEN AUTORISÉ.
4. SEE INSTRUCTION SHEET 408-3150 FOR INSTALLATION INFORMATION.

30 FT	1-553536-7
100 FT	553536-4
50 FT	553536-3
250 FT	553536-1
LENGTH PER ROLL	PART NO.

THIS DRAWING IS A CONTROLLED DOCUMENT.		DWN	L. HALL	06MAR2003		TE Connectivity		
DIMENSIONS: INCHES		CHK	L. SIMPSON	06MAR03		NAME		
TOLERANCES UNLESS OTHERWISE SPECIFIED:		APVD	L. SIMPSON	06MAR03		SHIELD, TOP, 3/5 CONDUCTOR CABLE, 10/12 AWG		
0 PLC ± - 1 PLC ± - 2 PLC ± - 3 PLC ± - 4 PLC ± - ANGLES ± -		PRODUCT SPEC		SIZE		CAGE CODE	DRAWING NO	RESTRICTED TO
MATERIAL		FINISH		WEIGHT	A2	00779	C=553536	-
		CUSTOMER DRAWING		SCALE	NONE	SHEET	1 of 1	REV F