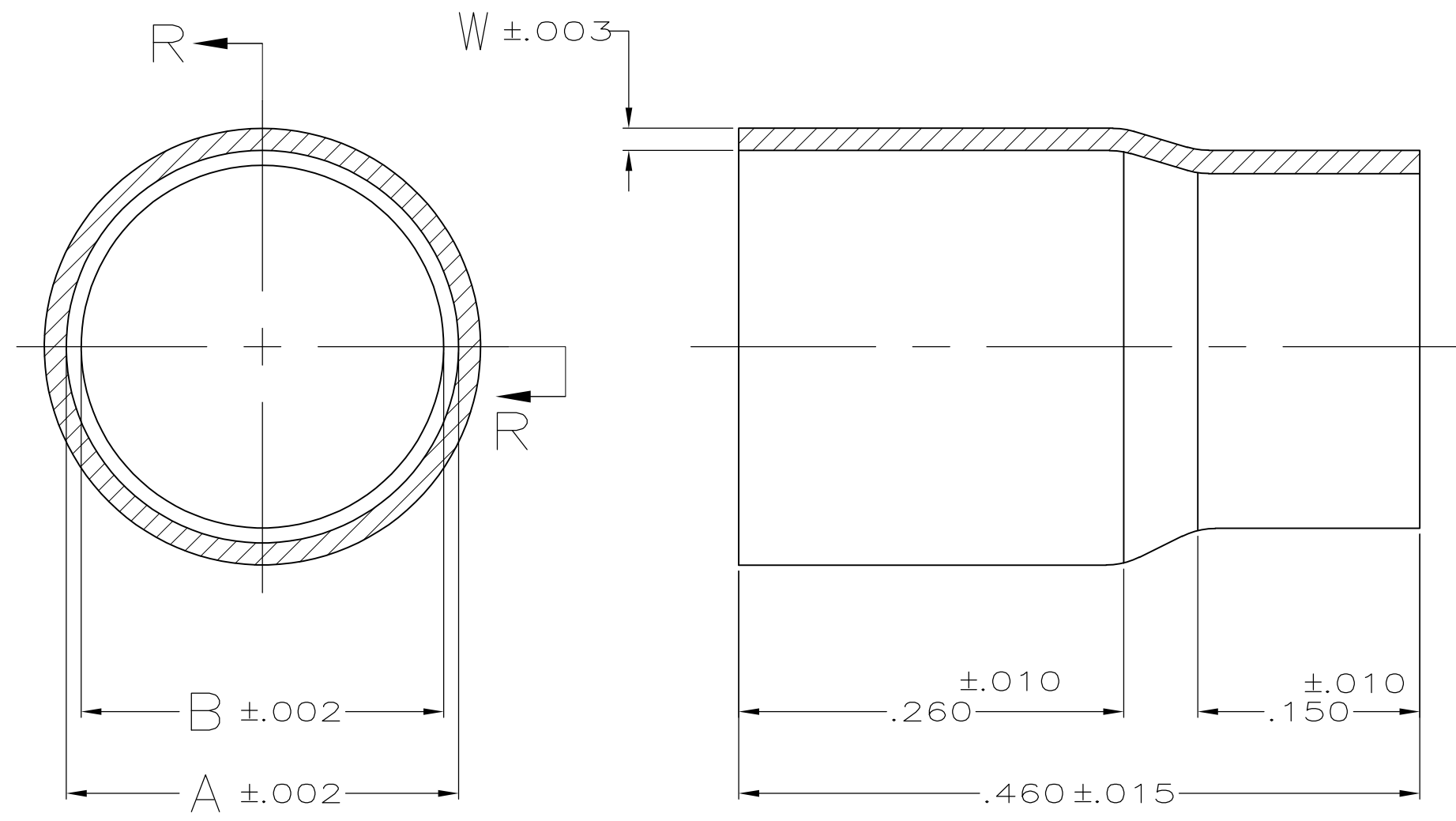


THIS DRAWING IS UNPUBLISHED. RELEASED FOR PUBLICATION
 © COPYRIGHT BY TYCO ELECTRONICS CORPORATION. ALL RIGHTS RESERVED.

LOC	DIST	REVISIONS			
P	LTR	DESCRIPTION	DATE	DWN	APVD
AD	39	E1	ECO-07-029465	12DEC07	MB NE



SECTION R-R

1. HARDNESS VALUE SHOULD BE 80 DPH MAX (AVG OF 3 READINGS) USING A 100 GRAM LOAD.

- △2 BRIGHT TIN-LEAD PLATED
- △3 MATTE TIN (LEAD-FREE) PLATED

.015	.245	.265	△3	102985-4
.015	.245	.265	△2	102985-3
W (WALL THK.)	B (INSIDE DIA)	A (INSIDE DIA)	PART NUMBER	

THIS DRAWING IS A CONTROLLED DOCUMENT.		DWN E. BRANDBERG 12/16/92	Tyco Electronics Corporation Harrisburg, PA 17105-3608																			
DIMENSIONS: INCHES		CHK J. GESFORD 1-20-93	NAME FERRULE, STEP DOWN																			
TOLERANCES UNLESS OTHERWISE SPECIFIED:		APVD -	PRODUCT SPEC -																			
<table border="0"> <tr><td>0 PLC</td><td>±</td><td>-</td></tr> <tr><td>1 PLC</td><td>±</td><td>-</td></tr> <tr><td>2 PLC</td><td>±</td><td>-</td></tr> <tr><td>3 PLC</td><td>±</td><td>.005</td></tr> <tr><td>4 PLC</td><td>±</td><td>-</td></tr> <tr><td>ANGLES</td><td>±</td><td>-</td></tr> </table>		0 PLC	±	-	1 PLC	±	-	2 PLC	±	-	3 PLC	±	.005	4 PLC	±	-	ANGLES	±	-	APPLICATION SPEC -	SIZE A2	CAGE CODE 00779
0 PLC	±	-																				
1 PLC	±	-																				
2 PLC	±	-																				
3 PLC	±	.005																				
4 PLC	±	-																				
ANGLES	±	-																				
MATERIAL SOFT COPPER	FINISH △2 △3	WEIGHT -	DRAWING NO C=102985	RESTRICTED TO -																		
CUSTOMER DRAWING			SCALE -	SHEET 1 OF 1																		
			REV E1																			

CUSTOMER DRAWING

102985