

5

4

3

2

1

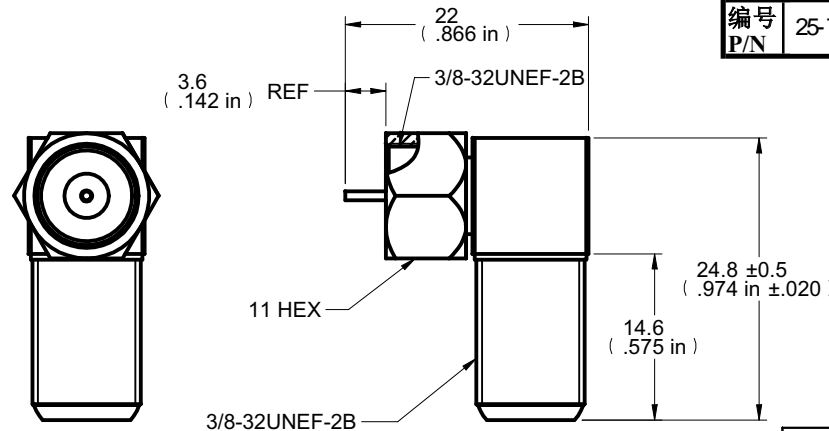
Description: F Male To F FM Right Angle
 Part No: 25-7600
 Application: Adapter
 Crimp Tool: N/A
 Impedance: 75 Ohms
 Frequency Range: 0-750 MHz
 Material: Body Zinc Nickel plated
 Contact Brass Nickel plated
 Nut Brass Nickel plated
 RoHS Compliance: Yes
 Technical Detail: Refer to Emerson Document P/N 25-0000



DRAWING NO. 25-7600-CUST			
REVISIONS			
01	OFFICIAL RELEASE		
	08-21-09	Y U	Y U T H

Betty 20090901
8 09:11:42
+08000

受控 CONTROLLED DOCUMENT					
编号 P/N	25-7600-CUST	版本 Rev	01	日期 Rel'd Date	SEP 14,09



DIM OUTLINE

TOLERANCE UNLESS OTHERWISE SPECIFIED		DRAWN BY BETTY.YU		DATE 08-21-09	
DECIMALS	mm	CHECKED BY BETTY.YU		DATE 08-21-09	
X	± 0.5	APPROVED BY THOMAS		DATE 08-21-09	
X.X	± 0.3	U/M		mm	
X.XX	± 0.1	U/M		mm	
ANGLES	± 0.5°	U/M		mm	



CUSTOMER COPY

TITLE
F MALE TO F FM RIGHT ANGLE

THIS DRAWING WAS PRODUCED BY COMPUTER,
DO NOT SCALE DRAWING OR UPDATE MANUALLY.

SHEET 1 OF 1	DRAWING NO. 25-7600-CUST	SIZE A
-----------------	------------------------------------	------------------

D

C

B

A

D

C

B

A

5

4

3

2

1