

4

3

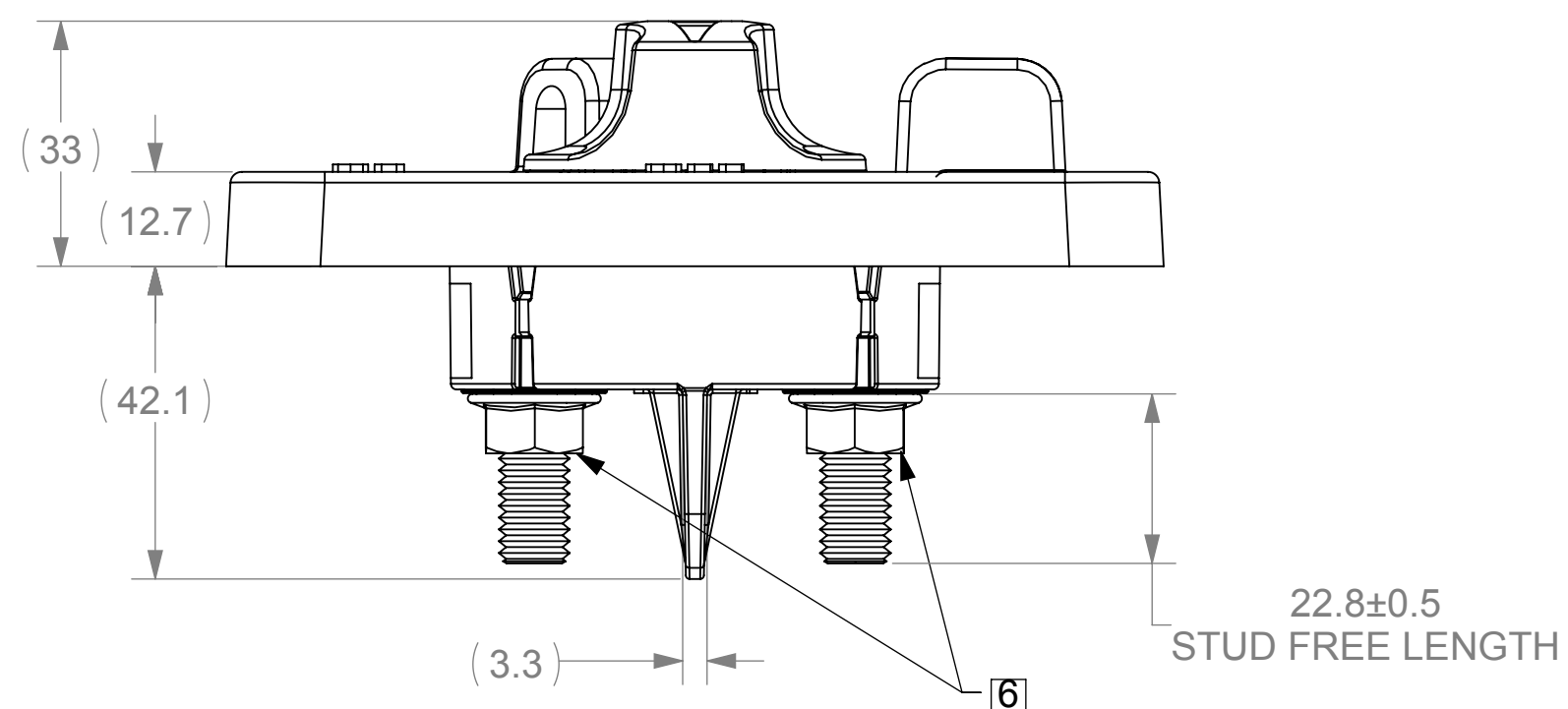
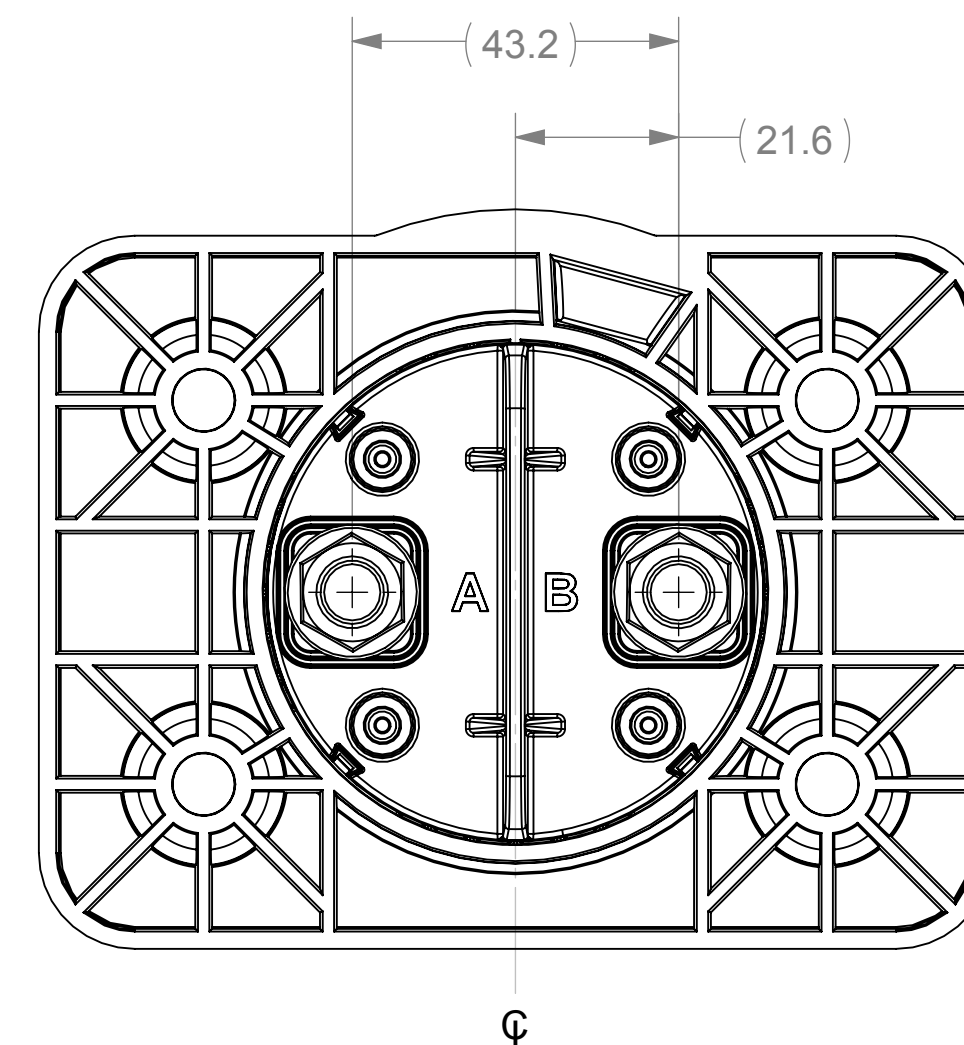
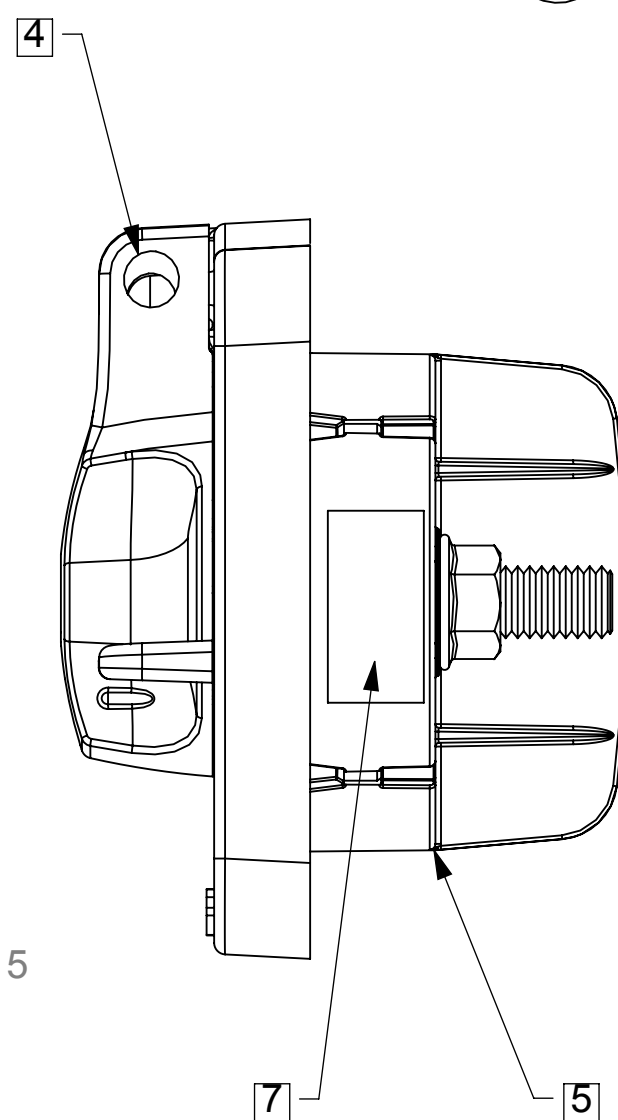
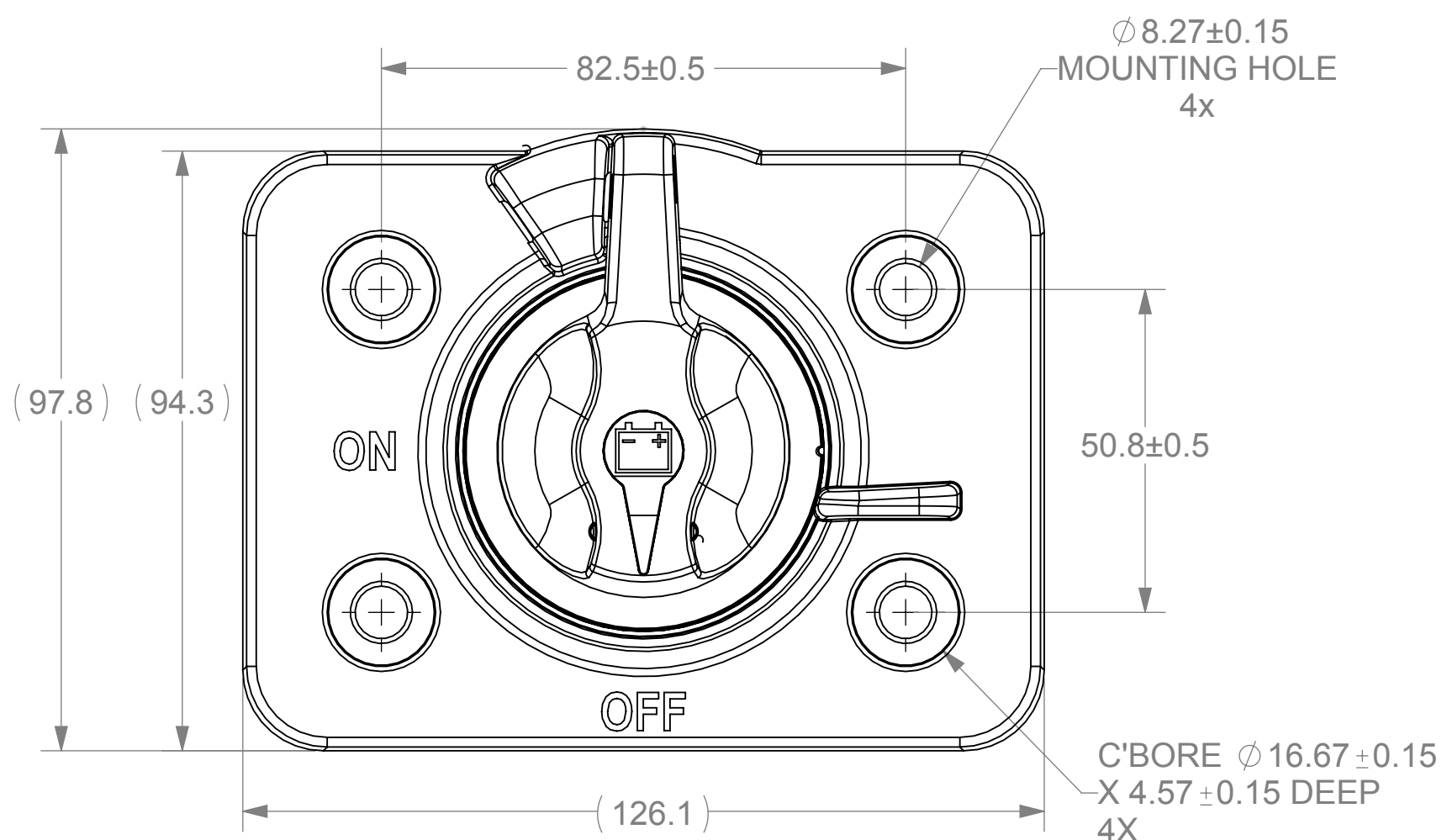
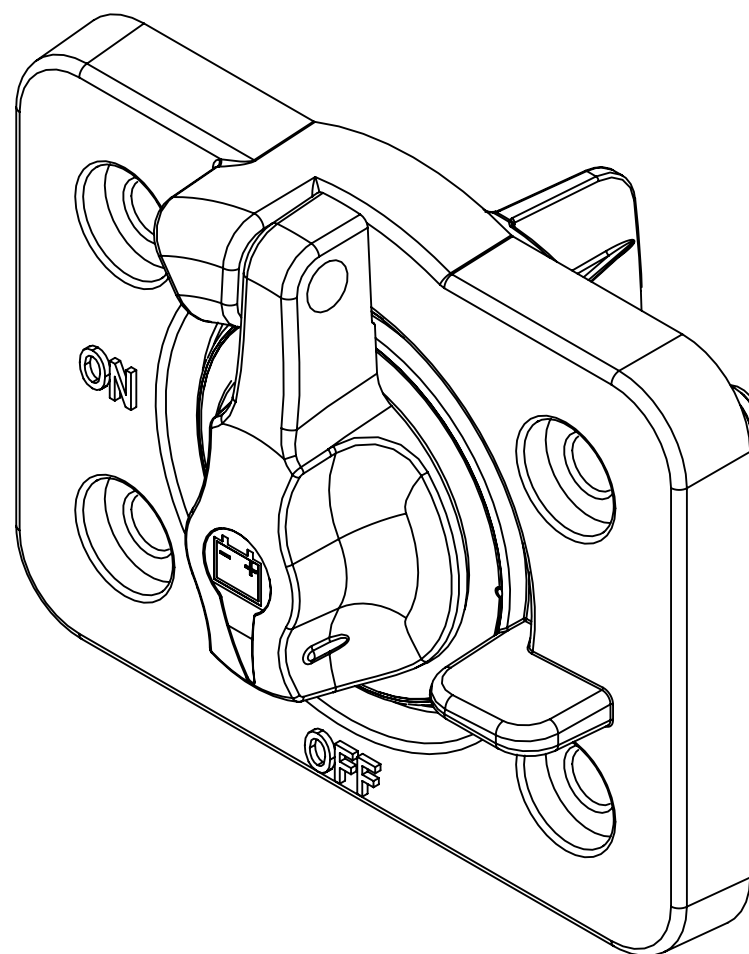
2

1

NOTES: (UNLESS OTHERWISE SPECIFIED)

- 1. ASSOCIATED CAD FILE DEFINES ALL NONDIMENSIONED FEATURES
- 2. PRODUCT WEIGHT: 0.26 Kg
- 3. MAXIMUM TERMINAL STUD TORQUE: 13.56 NM (120IN-LB)
- 4. PAD LOCK HOLE FOR LOCKOUT IN OFF POSITION
- 5. FRONT PANEL MOUNT IN 67MM (2-5/8") HOLE
- 6. TERMINAL HARDWARE: 3/8"-16 NUT SERRATED FLANGE, STAINLESS STEEL
- 7. METALLIC LABEL X2: LABEL INFORMATION TO CONSIST OF:
 - o LITTELFUSE LOGO
 - o LITTELFUSE P/N: 880154
 - o SERIAL NUMBER
 - o BARCODE
 - o MAXIMUM VOLTAGE

REVISIONS				
ZONE	REV.	DESCRIPTION	DATE	APPROVED
	B	Per EC# 510027 INITIAL RELEASE	11/15/2013	J. LIU
	C	PER EC#510117 BOM CHANGE, TOLERANCE CALL OUT FORMAT CHANGE	02/21/2014	J. LIU



DIMENSIONS ARE IN MM.
 DIMENSIONS AND TOLERANCES ARE DEFINED ACCORDING TO ANSI / ASME Y14.5M-1994
 THIS DRAWING AND THE INFORMATION CONTAINED WITHIN IT ARE CONFIDENTIAL AND MAY NOT BE COPIED OR DISCLOSED WITHOUT THE WRITTEN PERMISSION OF LITTELFUSE.

NAME	DATE
DRAWN J. LIU	11/15/2013
CHECKED -	-
-	-
-	-
-	-

THIRD ANGLE PROJECTION

SIZE DWG. NO. REV.
 C C 880154 C

SCALE 1:1 SHEET 1 OF 2

Littelfuse
 Expertise Applied | Answers Delivered
 425 Sequoia Drive Bellingham, WA 98226
 Phone (360)738-9010 Fax (360)738-0372

Switch Master Super Single LO
 Part Number: 880154

4

3

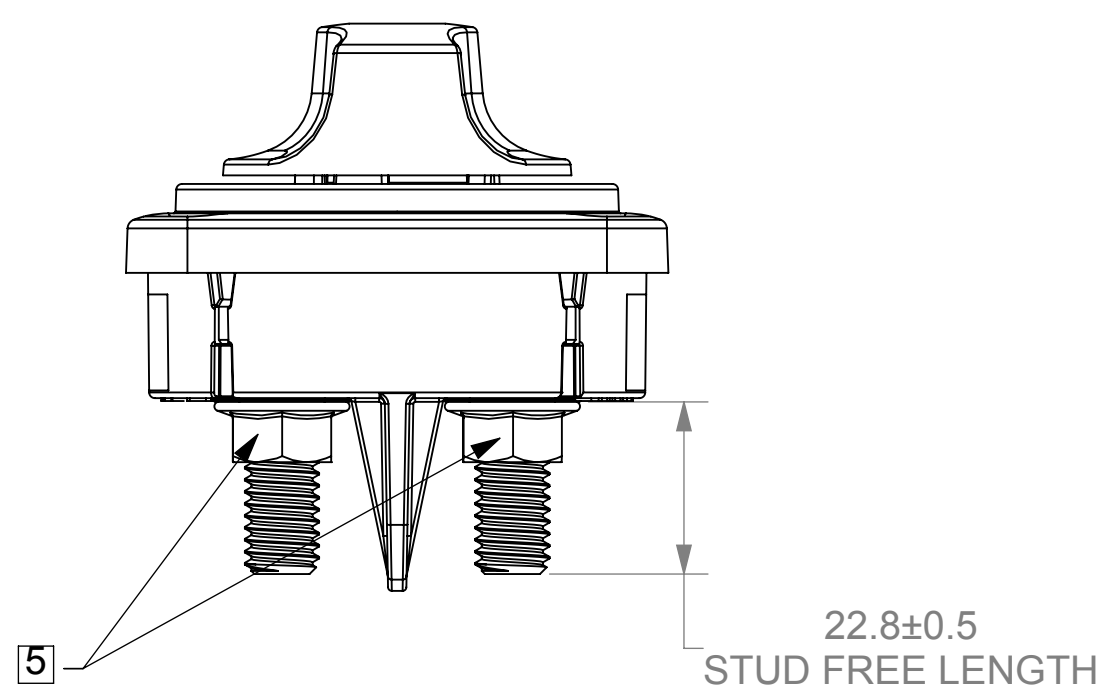
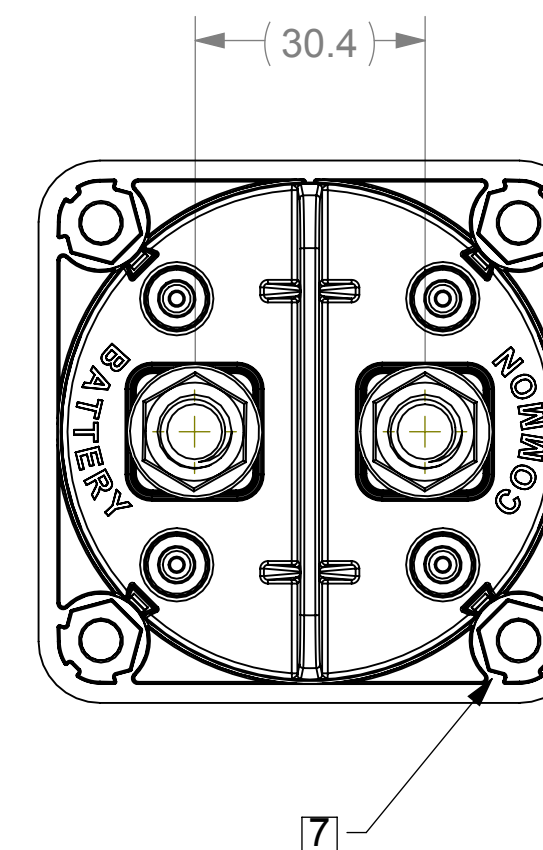
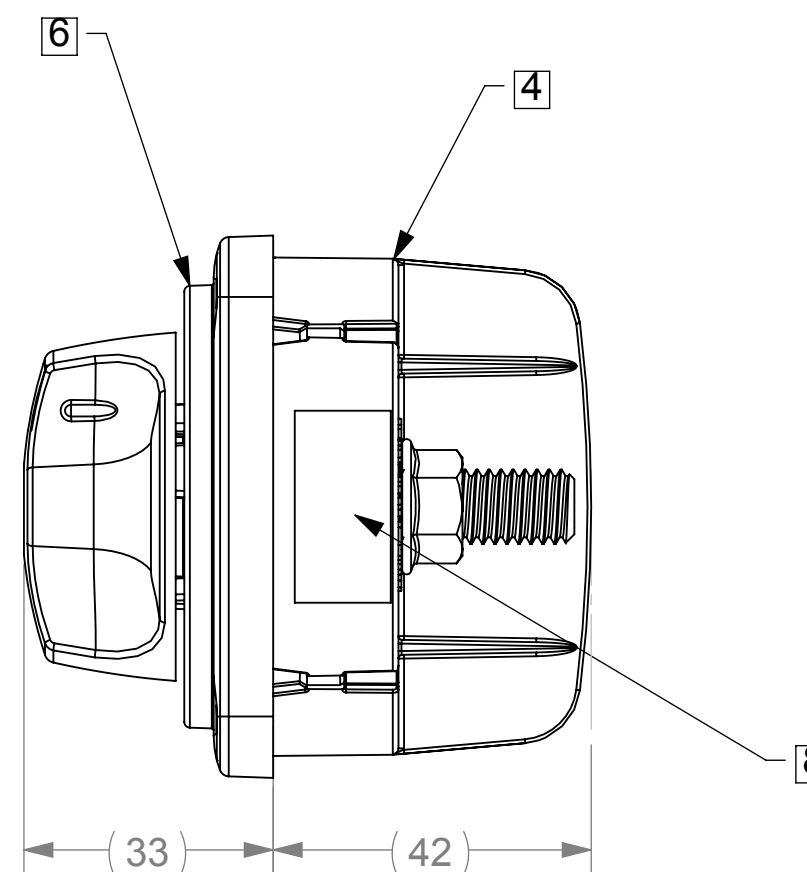
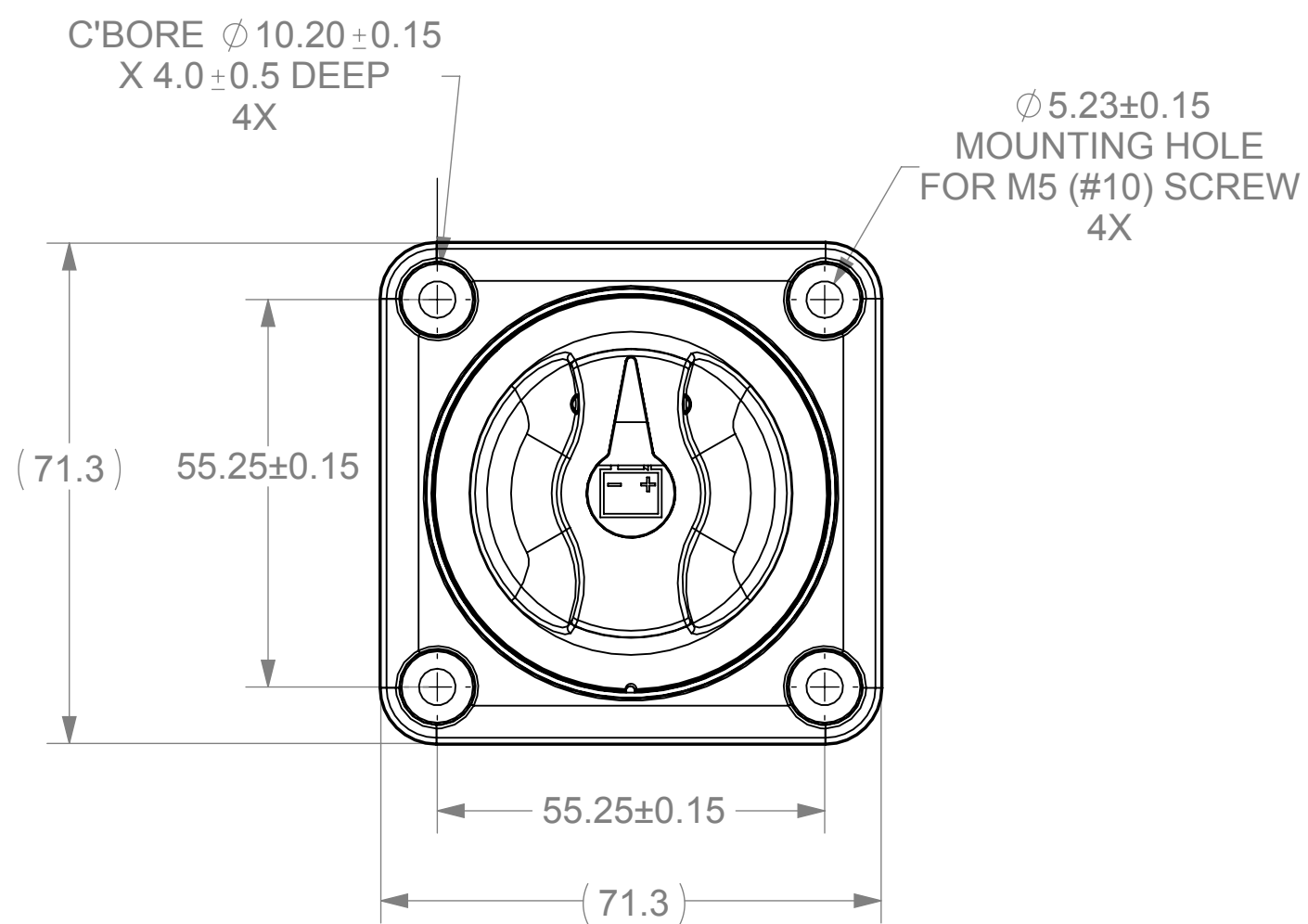
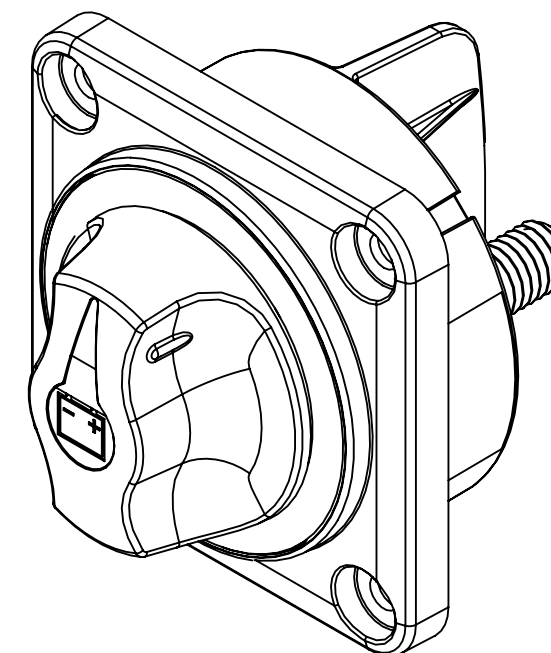
2

1

NOTES: (UNLESS OTHERWISE SPECIFIED)

- 1. ASSOCIATED CAD FILE DEFINES ALL NONDIMENSIONED FEATURES
- 2. PRODUCT WEIGHT: 0.18 Kg
- 3. MAXIMUM TERMINAL STUD TORQUE: 13.56 NM (120IN-LB)
- 4. FRONT PANEL MOUNT IN 67MM (2-5/8") HOLE
- 5. TERMINAL HARDWARE: 3/8"-16 NUT SERRATED FLANGE, STAINLESS STEEL
- 6. REAR PANEL MOUNT IN 60MM [2-3/8"] HOLE
- 7. REAR PANEL MOUNT HEX FEATURE FOR #10 NUTS
- 8. METALLIC LABEL X2: LABEL INFORMATION TO CONSIST OF:
 - o LITTELFUSE LOGO
 - o LITTELFUSE P/N: 880062
 - o MODEL NUMBER
 - o SERIAL NUMBER
 - o BARCODE
 - o UL LOGO
 - o MAXIMUM VOLTAGE
 - o CONTINUOUS CURRENT RATING AND INTERMITTENT CURRENT RATING

REVISIONS				
ZONE	REV.	DESCRIPTION	DATE	APPROVED
	E	Per EC# 509798 INITIAL RELEASE	11/15/2013	J. LIU



DIMENSIONS ARE IN MM.
 DIMENSIONS AND TOLERANCES ARE DEFINED ACCORDING TO ANSI / ASME Y14.5M-1994
 THIS DRAWING AND THE INFORMATION CONTAINED WITHIN IT ARE CONFIDENTIAL AND MAY NOT BE COPIED OR DISCLOSED WITHOUT THE WRITTEN PERMISSION OF LITTELFUSE.

NAME	DATE
DRAWN J. LIU	11/15/2013
CHECKED -	-
-	-
-	-
-	-

THIRD ANGLE PROJECTION

Littelfuse
 Expertise Applied | Answers Delivered
 425 Sequoia Drive Bellingham, WA 98226
 Phone (360)738-9010 Fax (360)738-0372

Switch Master Panel Mt
 Part Number: 880062

SIZE C	DWG. NO. 880062	REV. E
--------	-----------------	--------

SCALE 1:1 SHEET 1 OF 2

4

3

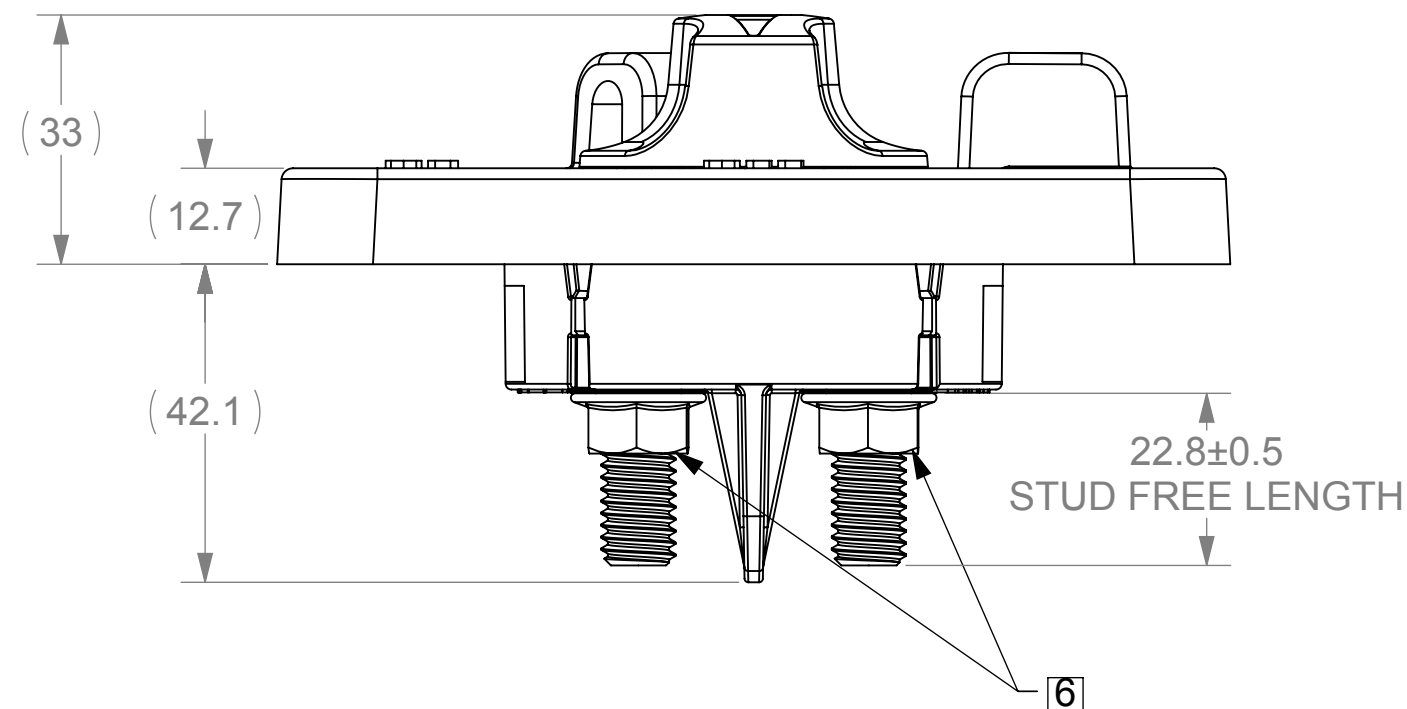
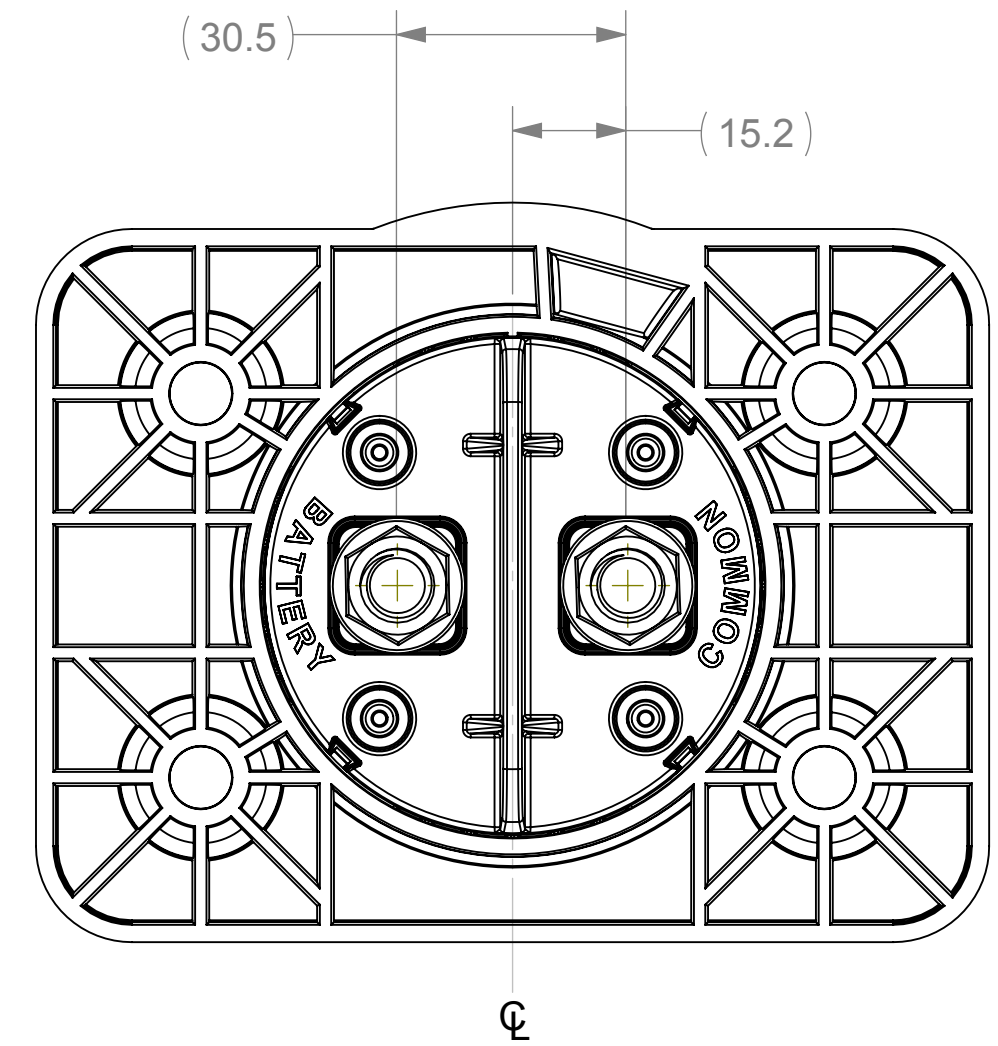
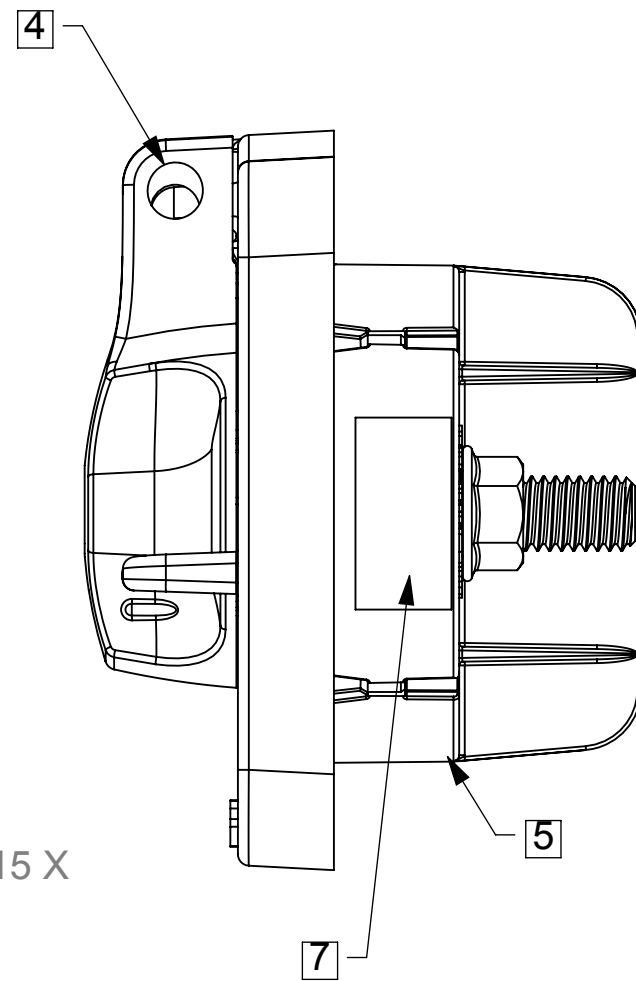
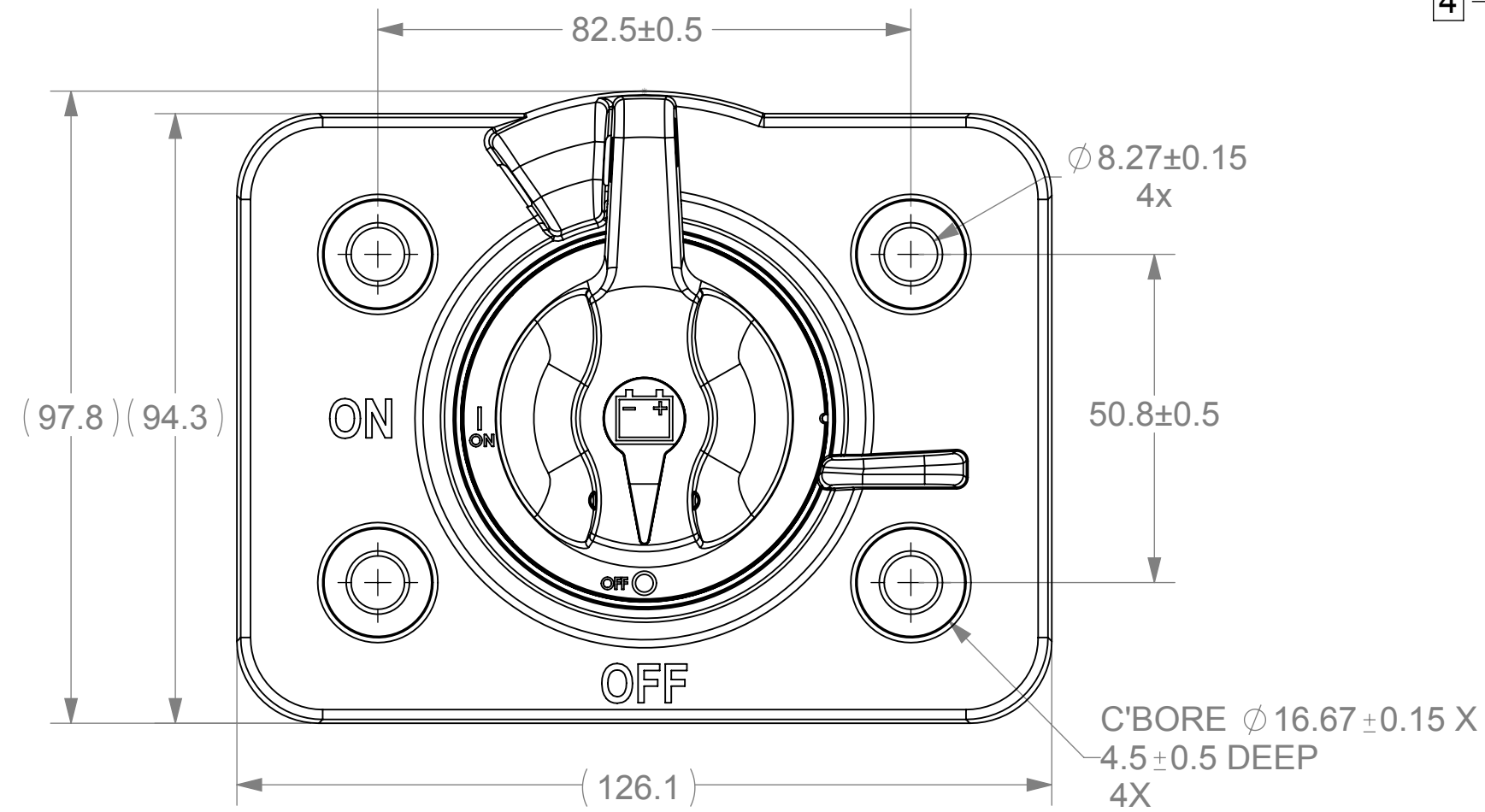
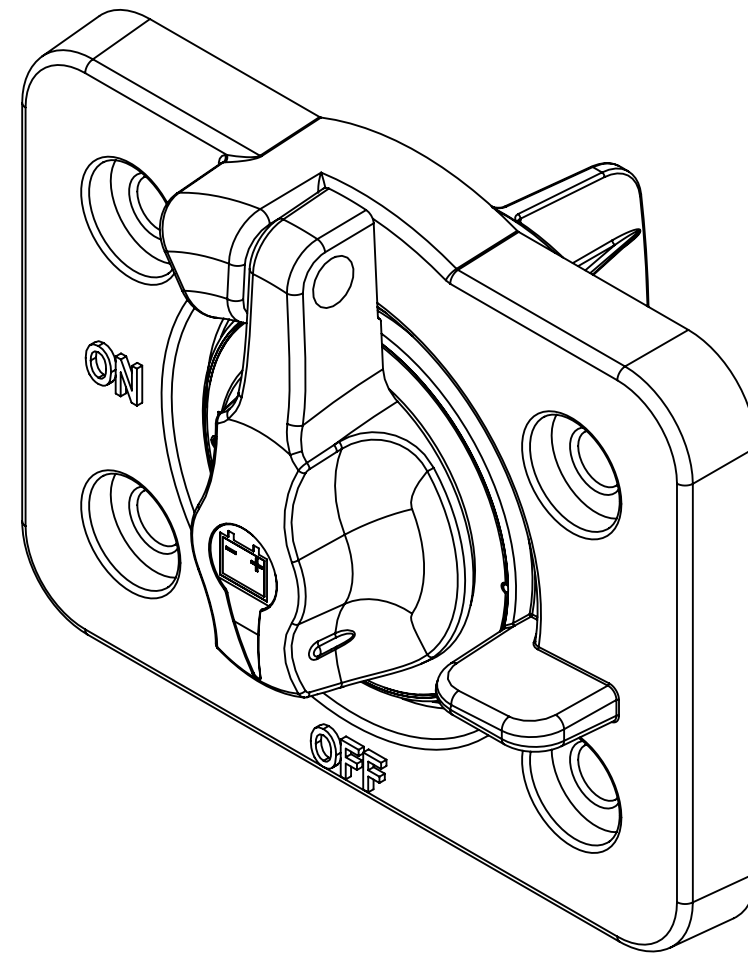
2

1

REVISIONS				
ZONE	REV.	DESCRIPTION	DATE	APPROVED
	E	Per EC# 508798 INITIAL RELEASE	11/15/2013	J. Liu

NOTES: (UNLESS OTHERWISE SPECIFIED)

1. ASSOCIATED CAD FILE DEFINES ALL NONDIMENSIONED FEATURES
2. PRODUCT WEIGHT: 0.22 Kg
3. MAXIMUM TERMINAL STUD TORQUE: 13.56 NM (120IN-LB)
4. PAD LOCK HOLE FOR LOCKOUT IN OFF POSITION
5. FRONT PANEL MOUNT IN 67MM (2-5/8") HOLE
6. TERMINAL HARDWARE: 3/8"-16 NUT SERRATED FLANGE, STAINLESS STEEL
7. METALLIC LABEL X2: LABEL INFORMATION TO CONSIST OF:
 - o LITTELFUSE LOGO
 - o LITTELFUSE P/N: 880064
 - o SERIAL NUMBER
 - o BARCODE
 - o MAXIMUM VOLTAGE



DIMENSIONS ARE IN MM.
 DIMENSIONS AND TOLERANCES ARE DEFINED ACCORDING TO ANSI / ASME Y14.5M-1994
 THIS DRAWING AND THE INFORMATION CONTAINED WITHIN IT ARE CONFIDENTIAL AND MAY NOT BE COPIED OR DISCLOSED WITHOUT THE WRITTEN PERMISSION OF LITTELFUSE.

NAME	DATE
DRAWN J. Liu	11/15/2013
CHECKED -	-
-	-
-	-
-	-

THIRD ANGLE PROJECTION

Expertise Applied | Answers Delivered
 425 Sequoia Drive Bellingham, WA 98226
 Phone (360)738-9010 Fax (360)738-0372

Switch Master On-Off Panel Mount, Lock Out
 Part Number: 880064

SIZE	DWG. NO.	REV.
C	880064	E

SCALE 1:1 SHEET 1 OF 2