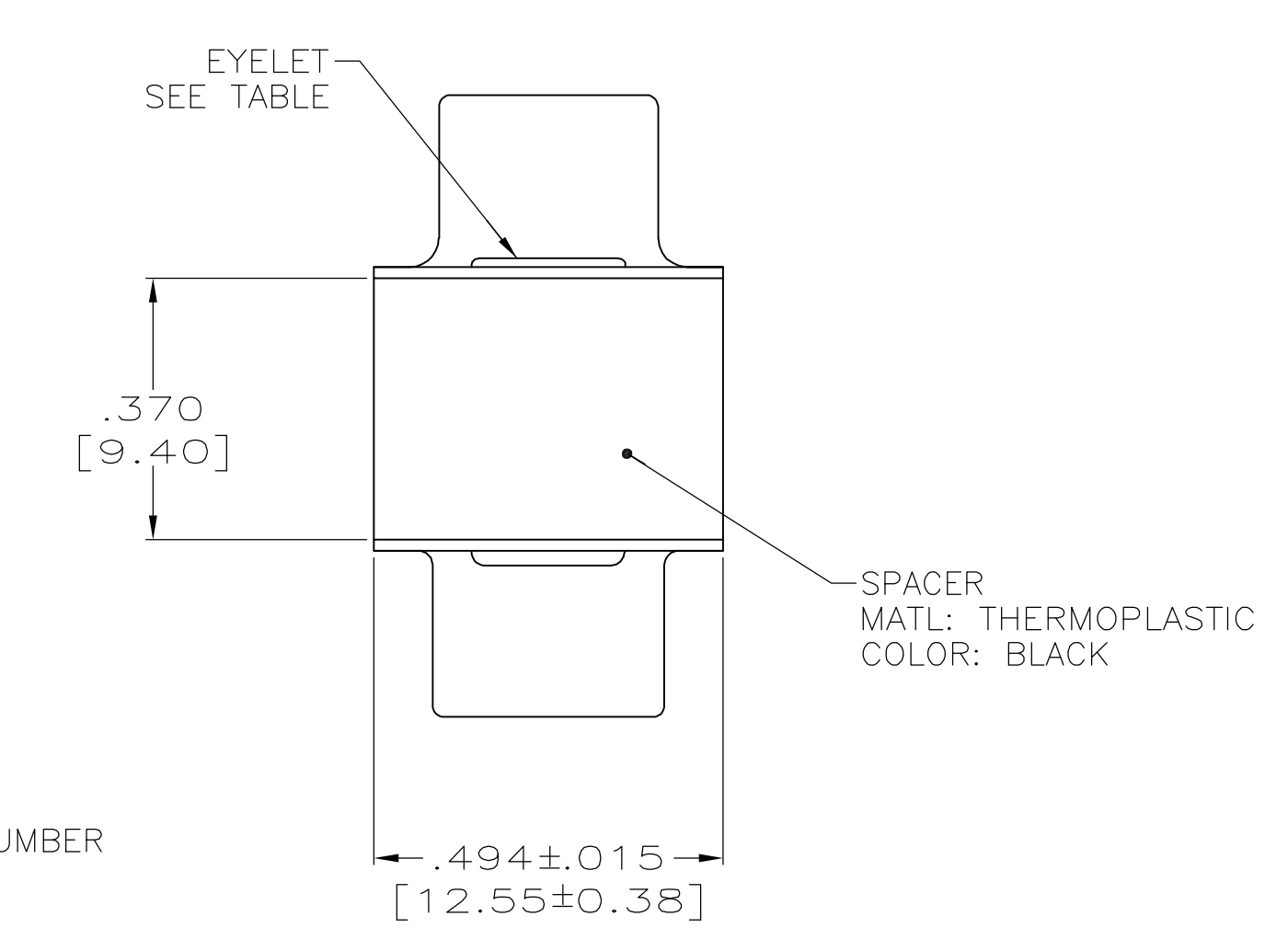
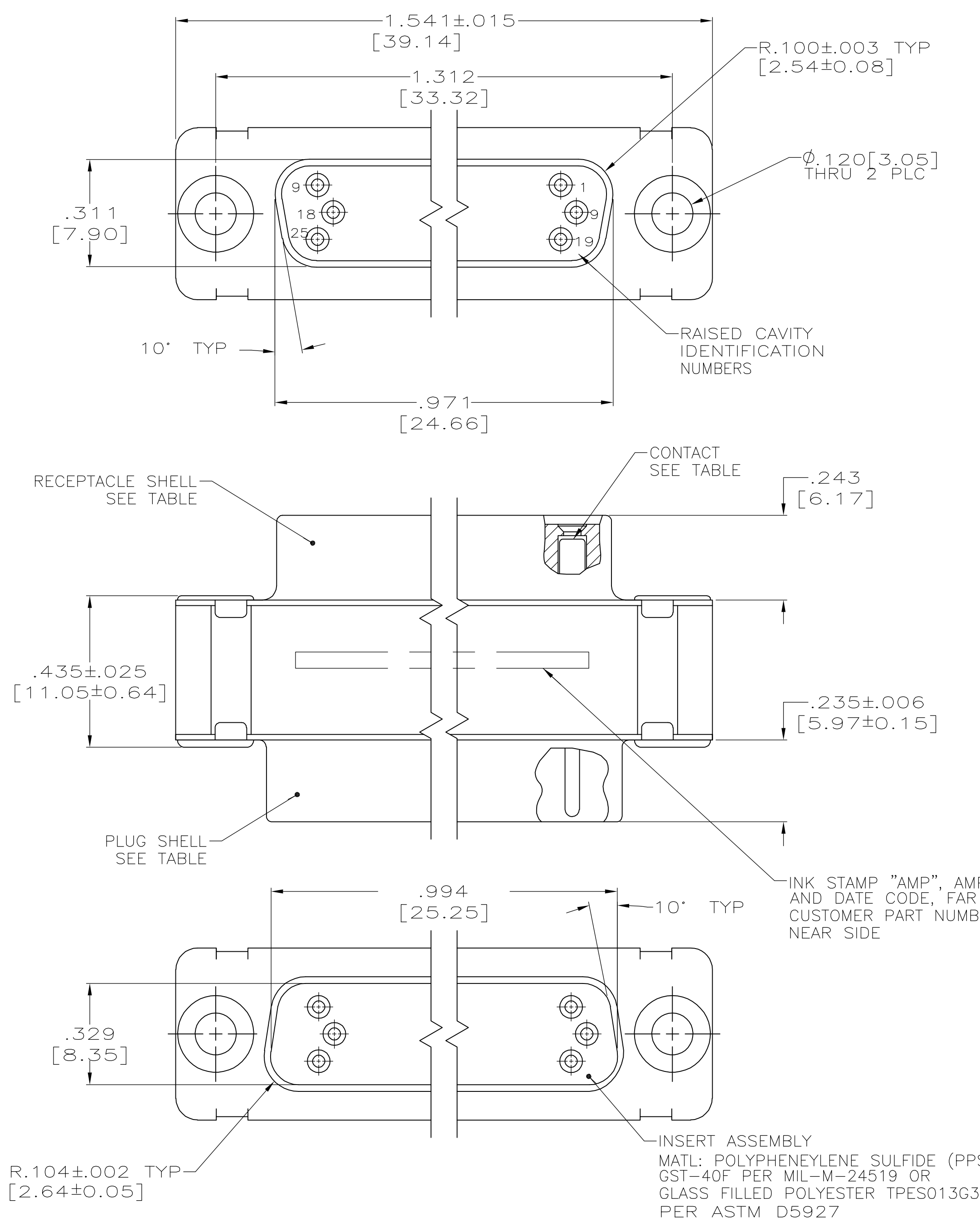
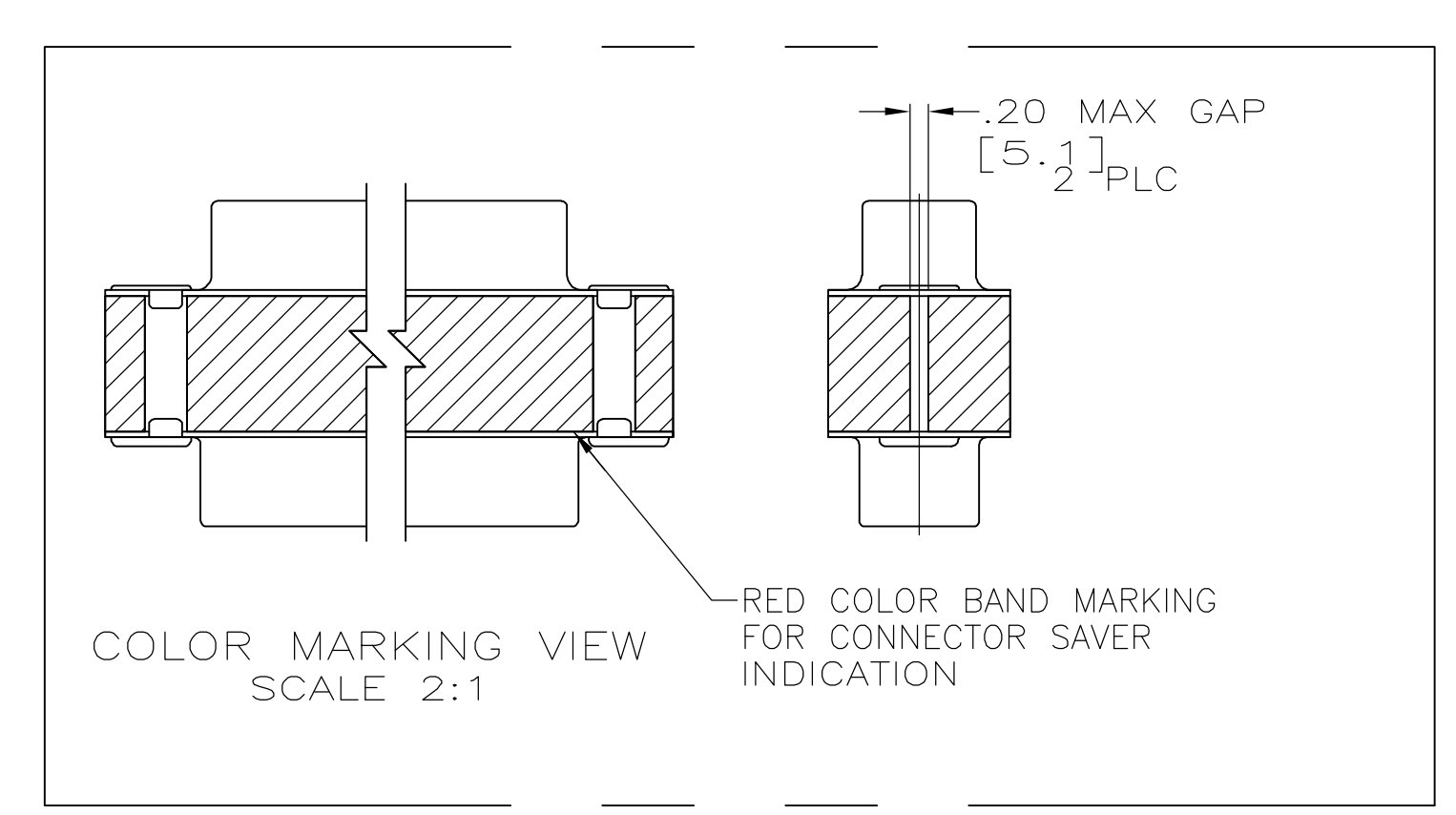


LOC		DIST		REVISIONS			
DF	DO	REV	DESCRIPTION	DATE	DWN	APVD	CT
E		1	REV PER ECO-06-006664	29MAR06	TK	CT	



- CONTACTS INCLUDED IN ASSEMBLY.
- CONTACT BODY MATL: BERYLLIUM COPPER PER ASTM-B-197. BODY FINISH: PLATED GOLD, .000050 MIN THK PER MIL-G-45204 OVER NICKEL, .000050 MIN THK PER QQ-N-290. HOOD MATL: STAINLESS STEEL PER ASTM-A-167. HOOD FINISH: PASSIVATED PER ASTM-A-380.
- MATL: BRASS PER ASTM-B-36.
- FINISH: PLATED GOLD, .000050 MIN THK PER MIL-G-45204 OVER COPPER, .000100 MIN THK PER MIL-C-14550.



SYM	DESCRIPTION	QTY	PART NO.	REV
③ ④	EYELET	1	4U884 SOCN R10002677-0007 (1J02-007)	1218309-2
③ ④	SHELLS	2		1218309-1
②	CONTACT	2		
			CUSTOMER P/N	PART NO.

THIS DRAWING IS A CONTROLLED DOCUMENT.		DWN T. THOMPSON 18AUG98	Tyco Electronics Corporation Harrisburg, PA 17105-3608	
DIMENSIONS: INCHES	TOLERANCES UNLESS OTHERWISE SPECIFIED:	CHK J. NORTON 18AUG98	APVD J. NORTON 18AUG98	NAME AMPLIMITE CONNECTOR SAVER SERIES 90, SIZE 2, 26 POS NON-REMOVABLE CONTACTS
0 PLC ± -	1 PLC ± -	PRODUCT SPEC	SIZE A1	CAGE CODE 00779
2 PLC ± -	3 PLC ± .005(0.13)	APPLICATION SPEC	DRAWING NO 1218309	RESTRICTED TO
4 PLC ± -	ANGLES ± -	WEIGHT	SCALE 4:1	SHEET 1 OF 1
MATERIAL	FINISH	CUSTOMER DRAWING	REV E	