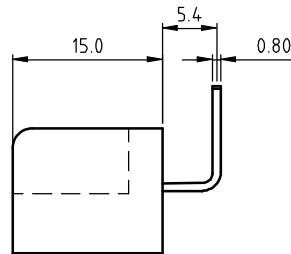
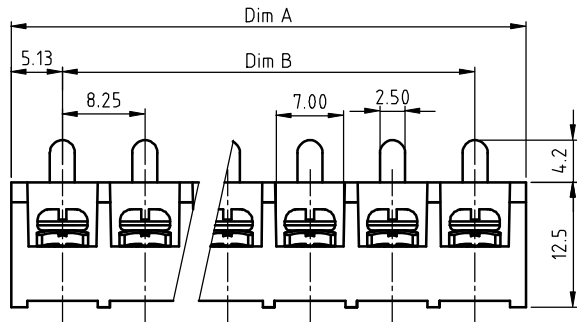
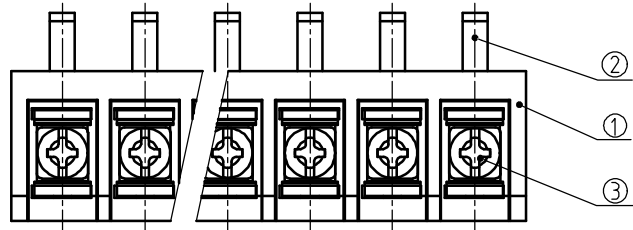


PRODUCT NUMBER	PITCH
YK335xx0x0J0G	8.25 mm



MATERIALS & ELECTRICAL  
 RATED VOLTAGE & CURRENT: cULus / CQC 300 V, 20 A / 300 V, 32 A  
 WITHSTAND VOLTAGE: AC 2500V/Min  
 INSULATION RESISTANCE: 1000 MΩ OR MORE AT DC 500 V  
 OPERATING TEMPERATURE RANG: -40 °C +115 °C  
 SCREW TORQUE VALUE: 8.8 Lb-In  
 WIRE RANGE: 22 - 12 AWG  
 1) HOUSING: Thermoplastic, UL 94 V-0 BLACK  
 2) TERMINAL: BRASS, 0.8t  
 3) TERMINAL SCREWS: STEEL,M3  
 APPROVAL:

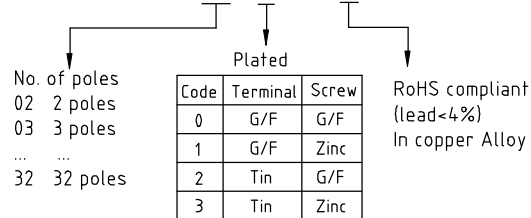
DIMENSION

Dim A	N×8.25+2.0
Dim B	(N-1)×8.25

N=Number of poles

Poles	Tolerance
2p-5p	±0.20
6p-10p	±0.25
11p-16p	±0.35
17p-24p	±0.40
25p-32p	±0.50

PART NO.: YK 335xx 0 x 0 JOG



mat'l. code		surface	tolerance	projection	product family
ltr		ASME Y14.5	ASME Y14.5		TERMINAL BLOCK
ecn no	dr	tolerances unless otherwise specified		MM	title
date		angles	X.±0.5	←→	TERMINAL BLOCK
		holes	X.X±0.3	scale	BARRIER TYPE
		fil	X.XX±0.1		dwg no
		dr	EVAN LU 061614		sheet 1 of 1
		enr	EVAN LU 061614		size
		chr	HANKE FENG 061614		A4
		appd	SHI JUN 061614		YK335xx0x0J0G
sheet index	revision sheet	A	1		type
					CUSTOMER Drawing