

MODEL:

# SRW12U

## SmartRack® Wall-Mount Rack Enclosure Cabinet



12 Rack Units



200 lb.  
Load Rating



Sturdy Steel  
Construction



Locking Doors  
& Side Panels



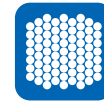
Standard  
19" Rack Width



Convenient  
Cable Access



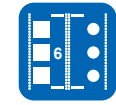
Adjustable  
Mounting Rails



Ventilated for  
Ample Airflow



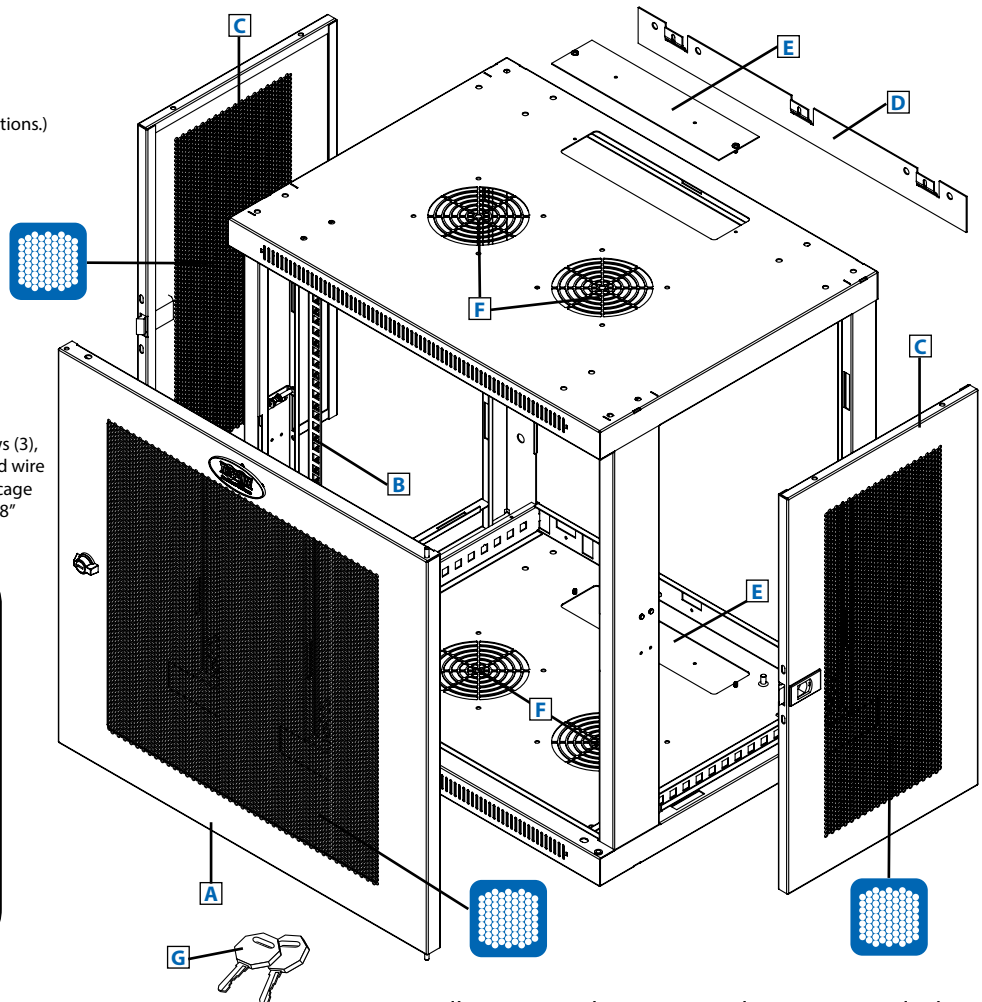
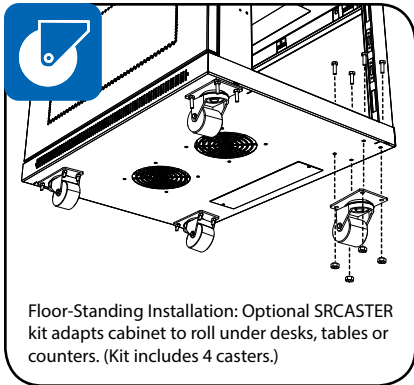
Reversible  
Cabinet



Square/Threaded  
Hole Mounting

- A** Front Door  
(Lockable/Removable/Reversible)
- B** Adjustable Mounting Rails (2)  
(Support square and threaded hole mounting options.)
- C** Side Panels (2)  
(Lockable/Removable)
- D** Mounting Plate  
(Removable. Includes mounting  
hooks for cabinet.)
- E** Cable Access Port Covers (2)  
(Removable)
- F** Ventilation Fan Ports (4)  
(Support optional SRFANWM fan kit.)
- G** Keys (2)

Also Includes: Owner's manual, mounting plate screws (3), cabinet ground screw, pre-installed front door ground wire and rack-mount equipment mounting hardware (20 cage nuts, 20 M6 x 16mm mounting screws, 20 #12-24 x 5/8" mounting screws, 20 nylon cup washers)



- Wall-mount enclosures provide convenient, locking storage for rack-mount IT devices and other equipment that should be off the floor, out of the way and secure
- The cabinet is fully reversible, allowing installers to change door hinges from left to right by simply rotating the unit 180 degrees before mounting

**SEE NEXT PAGE FOR DETAILED UNIT MEASUREMENTS**



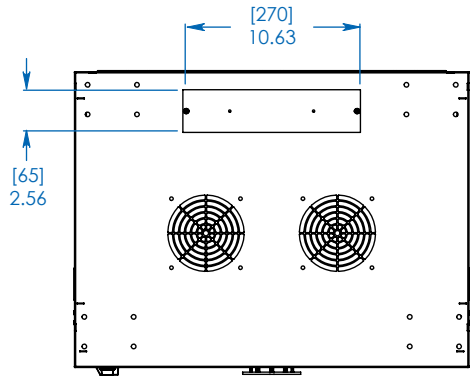
1111 W. 35th Street  
Chicago, IL 60609 USA  
773.869.1234  
www.tripplite.com

### Specifications

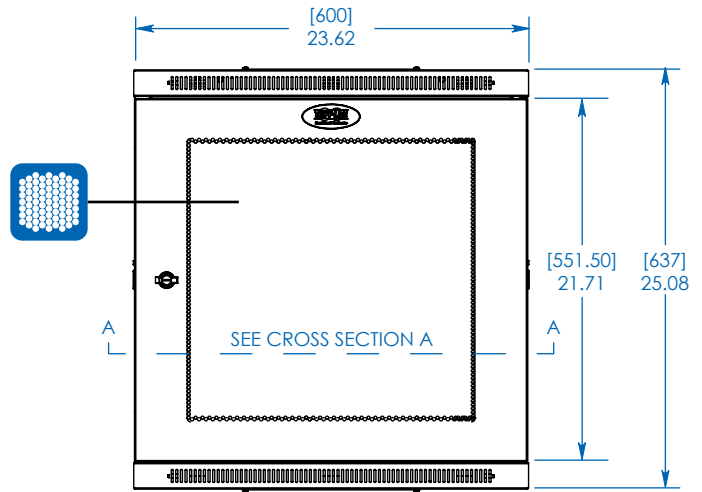
Model	SRW12U
Rack Spaces	12U
Equipment Mounting Depth	Up to 16.5 in. / 419 mm
Load Rating*	200 lb. / 90.7 kg
Unit Dimensions (H x W x D)	25.08 x 23.62 x 17.72 in. / 637 x 600 x 450 mm
Shipping Dimensions (H x W x D)	27.95 x 26.38 x 20.67 in. / 710 x 670 x 525 mm
Unit Weight	48.5 lb. / 22 kg
Shipping Weight	55.1 lb. / 25 kg
Standards	Tested to UL 60950-1, IEC 60950-1, RoHS, CE, NOM (Mexico), EIA/ECA-310-E, GOST

\* The load rating includes the combined weight of the unit and installed equipment. The unit must be mounted to a stable surface with user-supplied anchors capable of bearing the full load.

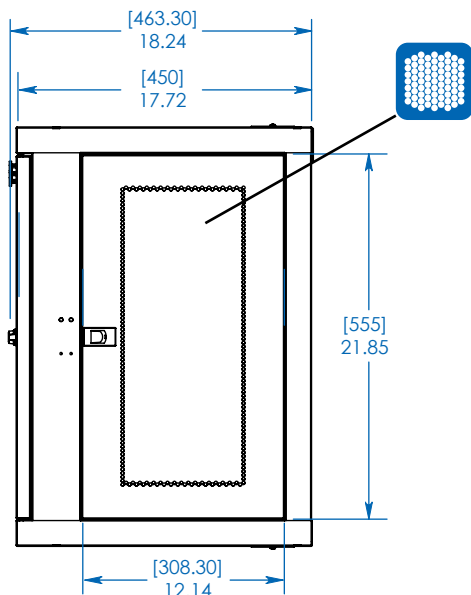




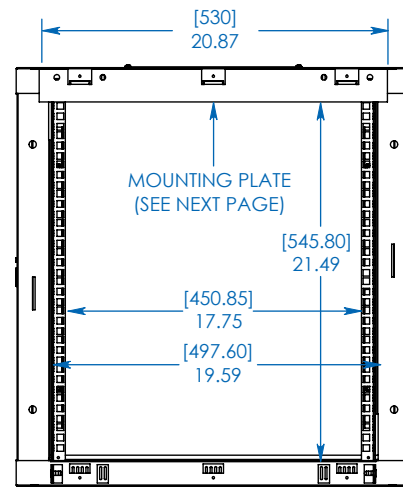
TOP/BOTTOM VIEW



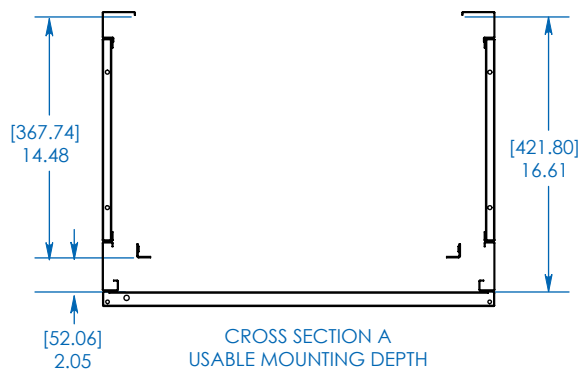
FRONT VIEW



SIDE VIEW



REAR VIEW (FRONT DOOR NOT SHOWN)

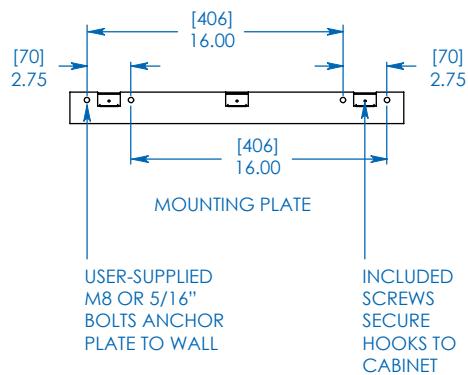
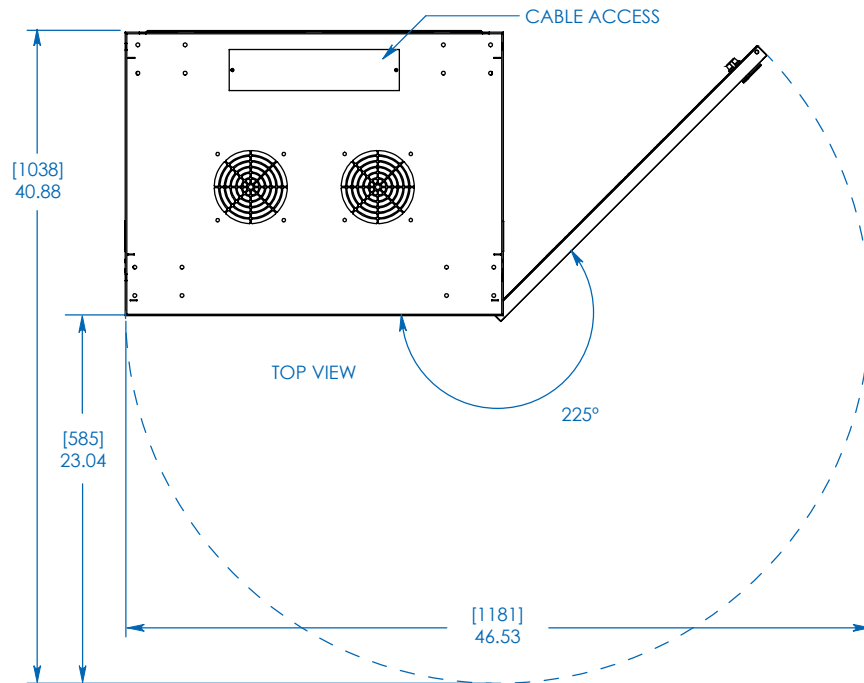


CROSS SECTION A  
USABLE MOUNTING DEPTH

Dimensions: [mm] INCHES

Tripp Lite has a policy of continuous improvement. Specifications are subject to change without notice.





Dimensions: [mm] INCHES

Tripp Lite has a policy of continuous improvement. Specifications are subject to change without notice.

MODEL:  
**SRW12U**

**TRIPP·LITE**

1111 W. 35th Street  
Chicago, IL 60609 USA  
773.869.1234  
www.tripplite.com