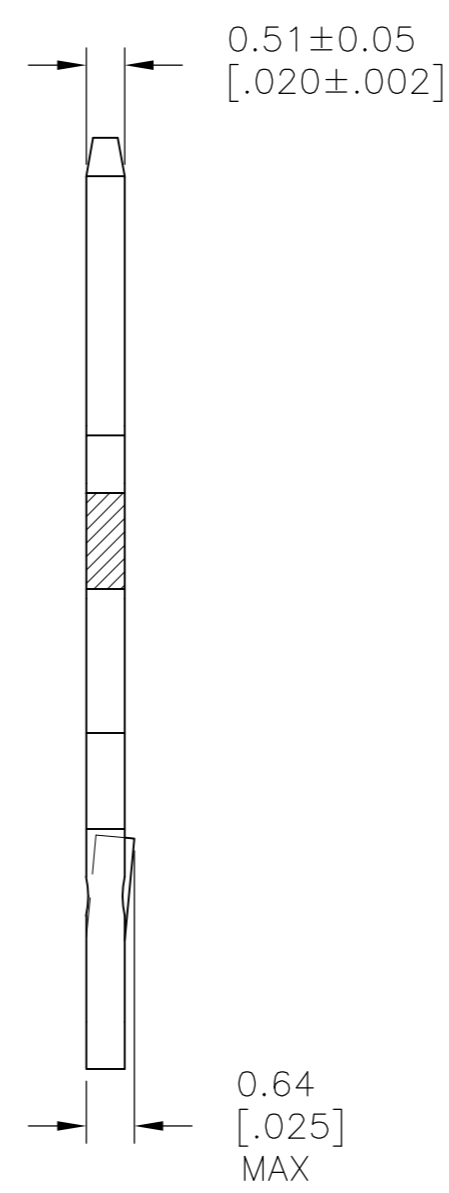
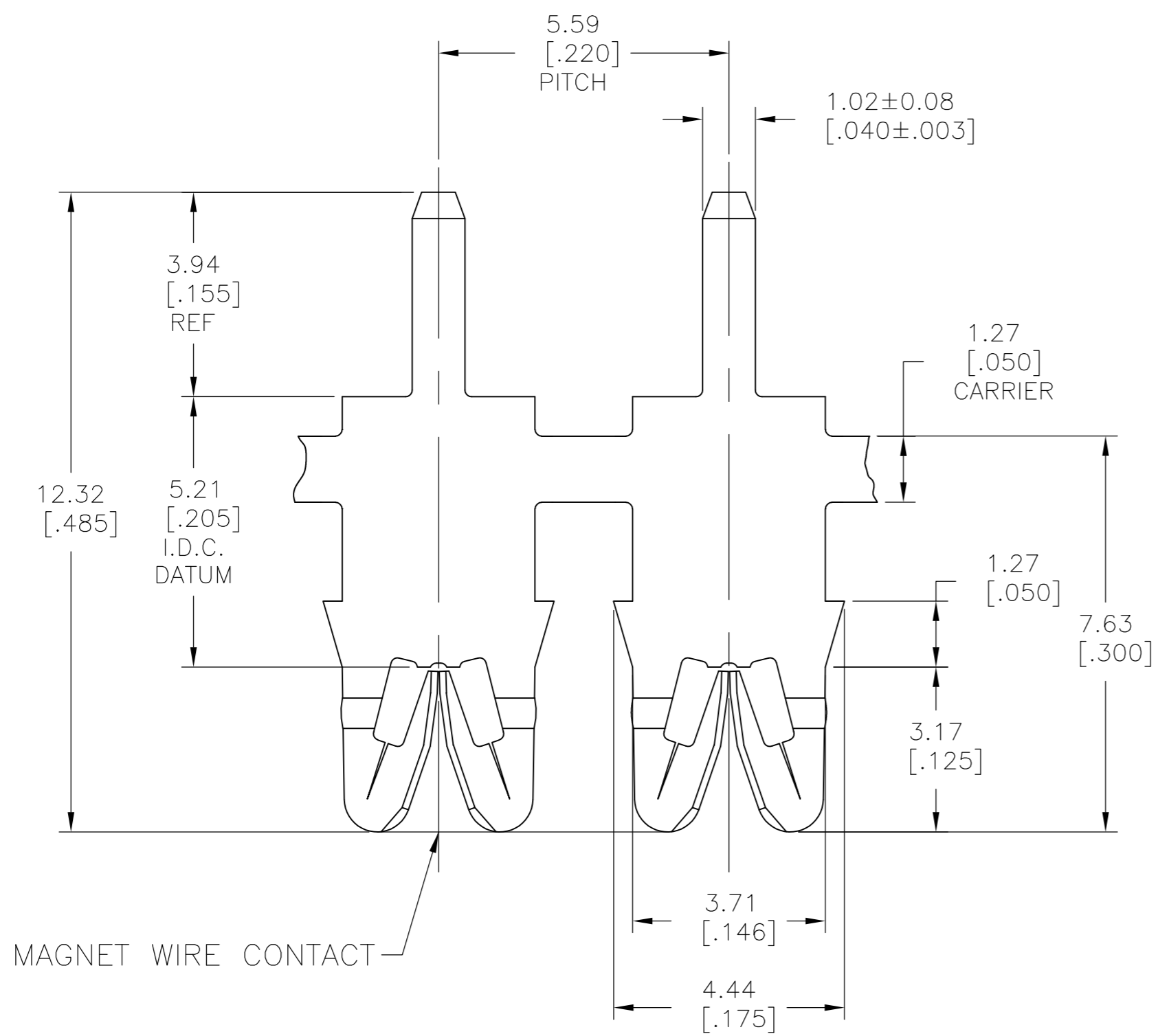
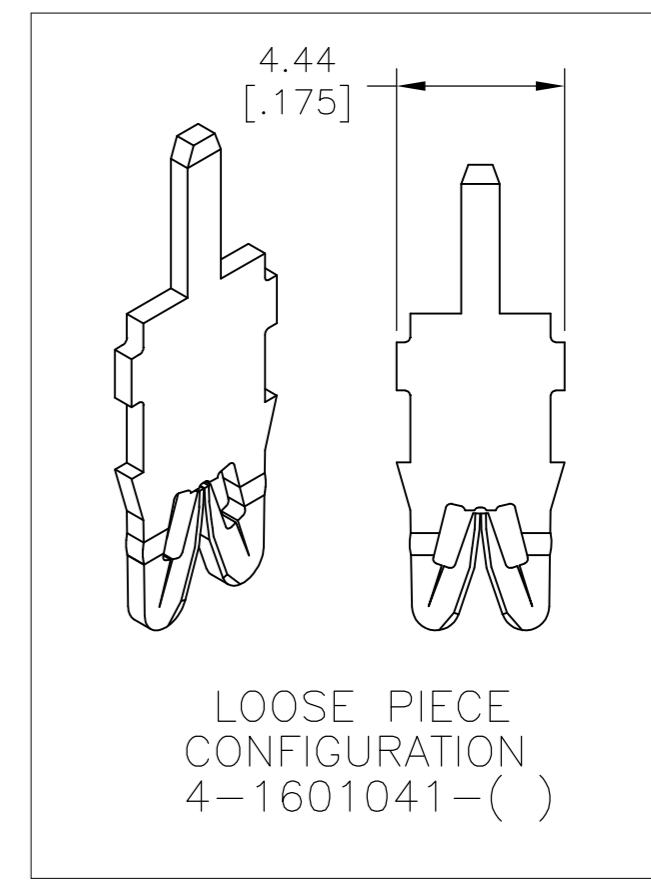


THIS DRAWING IS UNPUBLISHED. RELEASED FOR PUBLICATION
 © COPYRIGHT BY TYCO ELECTRONICS CORPORATION. ALL INTERNATIONAL RIGHTS RESERVED.

| LOC | DIST | REVISIONS | | | |
|-----|------|-------------|---------------------------|---------|--------|
| P | LTR | DESCRIPTION | DATE | DWN | APVD |
| AF | 50 | E2 | REVISED PER ECR-10-013120 | 24JUN10 | HMR GJ |



- SPECIFICATIONS:
MAGNET WIRE #18 - #34 AWG,
1.02[040] - 0.16[.006] DIA COPPER.
OTHER SIZES MAY BE ACCOMMODATED,
CONSULT TYCO ELECTRONICS FOR APPROVAL.
- POCKET RECOMMENDATION: #1601425
- TERMINAL APPLICATION TO COMPLY WITH TYCO ELECTRONICS SPECIFICATION 114-13166 FIGURE 7.
- TWO(2) TERMINALS SHOWN FOR ILLUSTRATION PURPOSES ONLY.



| | | | |
|---|---|--|----------------|
| | POST TIN PLATE OVER NICKEL | - | 4-1601041-3 |
| | POST TIN PLATE OVER NICKEL | - | 1601041-3 |
| SUPERSEDED BY 4-1601041-3 | SELECTIVE POST TIN LEAD PLATE OVER NICKEL | 031-087-024 | 4-1601041-2 |
| | UNPLATED | 031-087-000 | 4-1601041-1 |
| SUPERSEDED BY 1601041-3 | SELECTIVE POST TIN LEAD PLATE OVER NICKEL | 131-087-024 | 1601041-2 |
| | UNPLATED | 131-087-000 | 1601041-1 |
| | FINISH | REFERENCE PART NUMBER | TE PART NUMBER |
| THIS DRAWING IS A CONTROLLED DOCUMENT. | | Tyco Electronics Corporation Harrisburg, PA 17105-3608 | |
| DWN J.WELLER 11JAN2002 CHK M.FEHER 11JAN2002 APVD K.RANDOLPH 11JAN2002 | | NAME | |
| DIMENSIONS: mm [INCHES] | | PRODUCT SPEC | |
| TOLERANCES UNLESS OTHERWISE SPECIFIED: | | 108-2085 | |
| 0 PLC ± - 1 PLC ± - 2 PLC ± 0.13[.005] 3 PLC ± - 4 PLC ± - ANGLES ± 2° | | APPLICATION SPEC | |
| MATERIAL BRASS, SPRING HARD | | WEIGHT - | |
| FINISH SEE TABLE | | SIZE A2 CAGE CODE 00779 DRAWING NO C=1601041 RESTRICTED TO - | |
| CUSTOMER DRAWING | | SCALE 10:1 SHEET 1 OF 1 REV E2 | |