

Materials

- 1. C3604 brass, nickel plated
- 2. C3604 brass, nickel plated
- 3. C3604 brass, nickel plated
- 4. C3604 brass, nickel plated
- 5. POM, black

Electrical requirements

Dielectric strength: 1 min @ 500 Vac and 2mA
Insulation resistance: 100 MΩ @ 500 Vdc
Contact resistance: 50 mΩ or less

Mechanical requirements

Durability: 5000 mating cycles while maintaining normal operation and < 50mΩ
Bending strength: ≥ 3.2 kg
Breaking strength: ≥ 6.8 kg

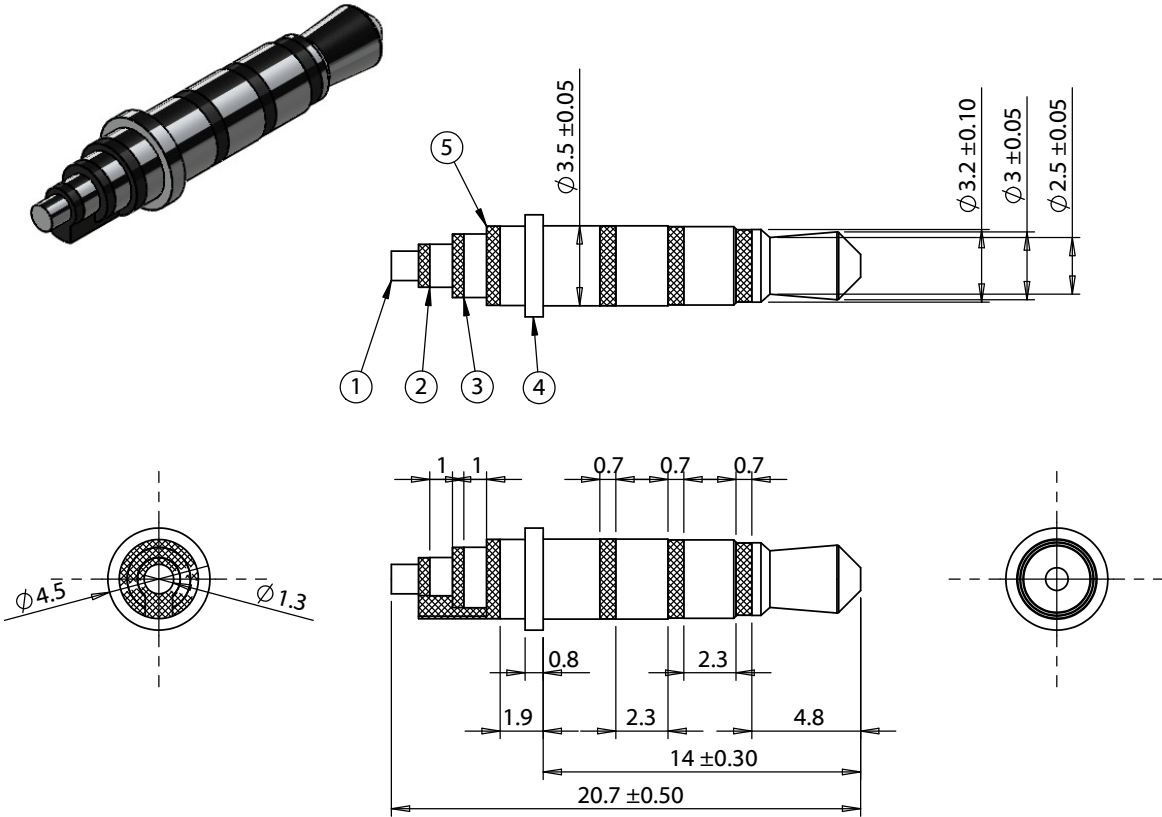
Environmental tests

Salt spray test: 5% NaCl spray at 1ml/80cm²/h, chamber temp 46.5°C, spray temp 35°C, 87% humidity, 48 hours. No oxidation.

Cold resistance: -25°C±3 for 2 hours with no degradation.
Heat resistance: 85°C±3 for 2 hours with no degradation.

Operating range

-30 to 85 °C



REVISION	DATE	DESCRIPTION
A	3/6/14	Initial release

PREPARED:
VERIFIED:
DIMENSIONS ARE IN MILLIMETERS
TOLERANCES: X: ± 0.5 mm X.X: ± 0.3 mm X.XX: ± 0.05 mm

NOTES RoHS and REACH compliant Function test: no open, no short circuit, no INT
DESCRIPTION: Connector, 4C audio plug, 3.5xL20.7 mm, brass, nickel plated, molding style

<h1>TENSILITY</h1>			
20802 Sockeye Place #130 Bend, OR 97701 USA tel 541.323.3228 fax 541.323.4202 800 877.670.7118 www.tensility.com			
SIZE	PART NUMBER		
A	50-00397		
SCALE: 5:1	WEIGHT:	SHEET 1 OF 1	