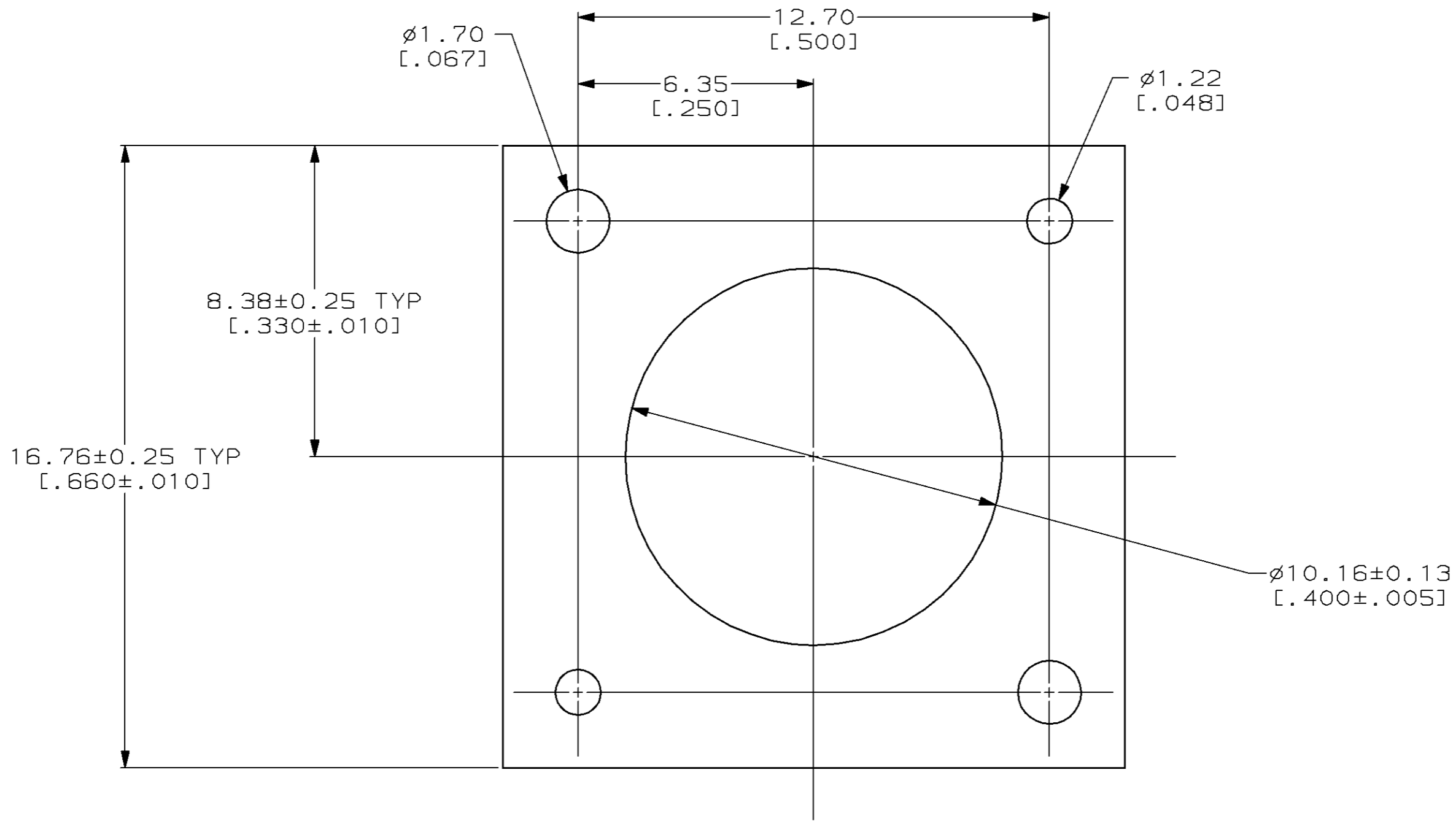


THIS DRAWING IS UNPUBLISHED. RELEASED FOR PUBLICATION, 19 .
 © COPYRIGHT 19 BY AMP INCORPORATED. ALL RIGHTS RESERVED.

LOC	DIST	REVISIONS			
P	LTR	DESCRIPTION	DATE	DWN	APVD
AJ	16	A	REV PER 0630-0538-98	22DEC98	MO JL



1274213-1
 PART NUMBER

THIS DRAWING IS A CONTROLLED DOCUMENT.		DWN J. LIPPERT 12-11-98	AMP AMP Incorporated Harrisburg, PA 17105-3608											
DIMENSIONS: mm [IN]		CHK J. LIPPERT 12-11-98												
TOLERANCES UNLESS OTHERWISE SPECIFIED:		APVD J. LIPPERT 12-11-98												
<table border="1"> <tr><td>0 PLC</td><td>±-</td></tr> <tr><td>1 PLC</td><td>±-</td></tr> <tr><td>2 PLC</td><td>±0.08 [.003]</td></tr> <tr><td>3 PLC</td><td>±-</td></tr> <tr><td>4 PLC</td><td>±-</td></tr> <tr><td>ANGLES</td><td>±-</td></tr> </table>		0 PLC		±-	1 PLC	±-	2 PLC	±0.08 [.003]	3 PLC	±-	4 PLC	±-	ANGLES	±-
0 PLC	±-													
1 PLC	±-													
2 PLC	±0.08 [.003]													
3 PLC	±-													
4 PLC	±-													
ANGLES	±-													
MATERIAL MYLAR, .010 THICK	FINISH -	PRODUCT SPEC -	APPLICATION SPEC -											
1. FOR USE WITH 414493-1 AND 414553-1.		WEIGHT -	RESTRICTED TO -											
CUSTOMER DRAWING		SIZE A3	CAGE CODE 00779											
		DRAWING NO C-1274213	SCALE -											
		SHEET 1 OF 1	REV A											