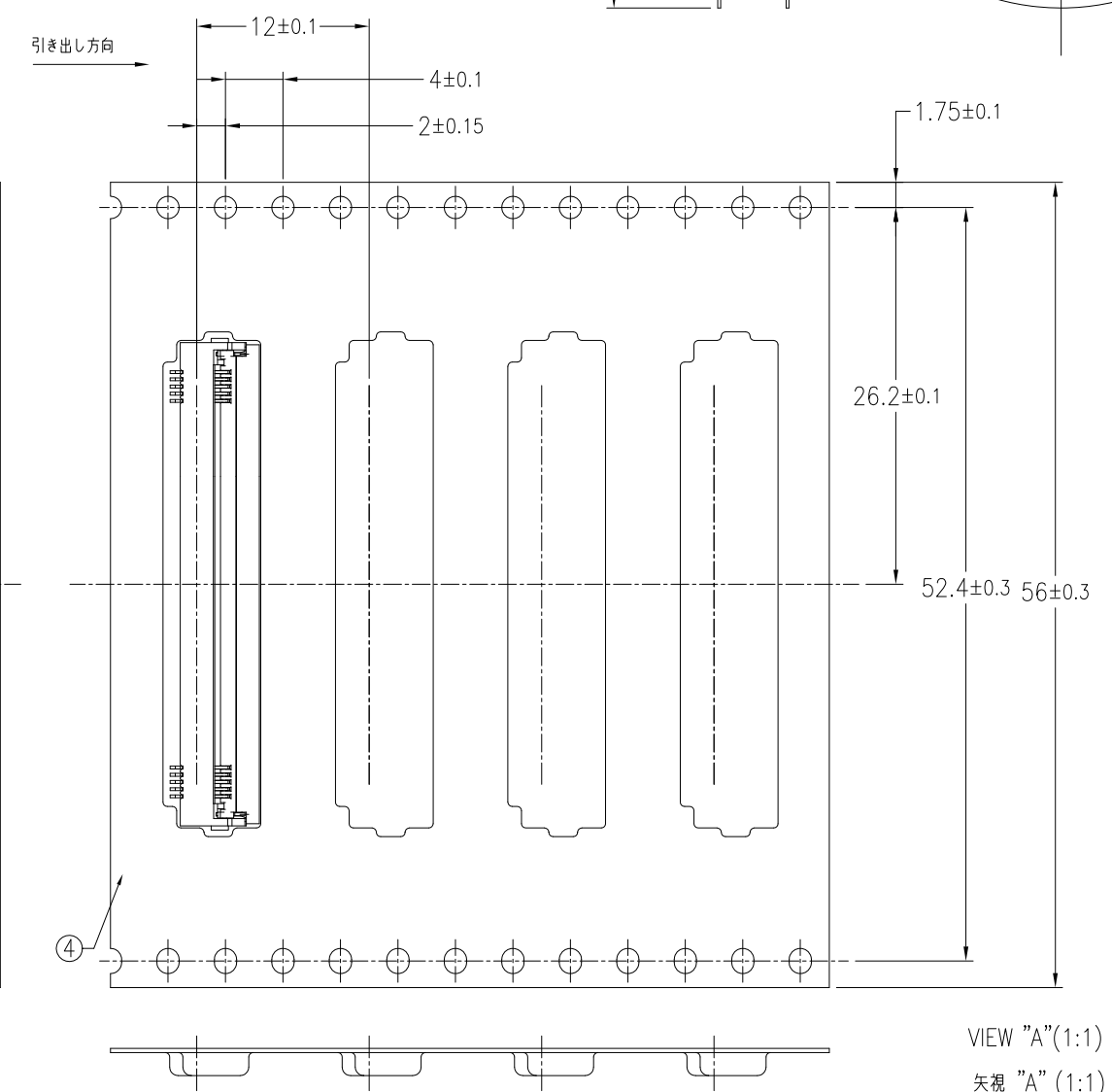
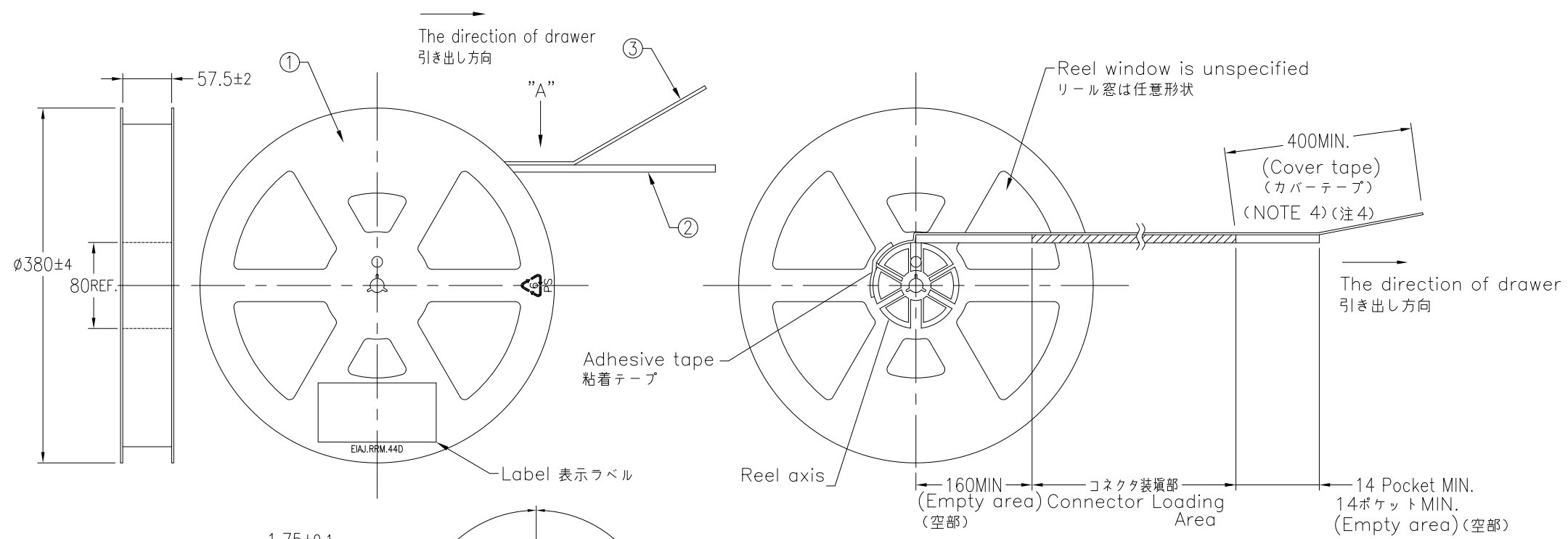


PRODUCT NO.	SPEC No.
10081215-**15ELF	PRODUCT: GS-12-493 PACKAGING: GS-14-1205
10081215-***15EHLF	APPRICATION: GS-20-102



<P/N composition> <P/N 構成>
 ▲ 10081215-** 1 1 5 E H LF

- Lead Free
- H: Halogen free material
- Packaging form (E : Plastic reel·Embossing tape package)
- Embossing tape package 5: 12mm PITCH
- Plating spec / Contact style 1: Au plating / Single contact point
- Blank: Without cable lock
- 1: With cable lock
- No of position
- Series name

PARTS TABLE 部品表

No.	Part name 部品名	Part No. 型番	Material 材質	QTY.	Note 備考
①	The reel for packaging 梱包用リール	340551-56E	Polystyrene ポリスチレン	1	Color / Window of the reel: Arbitrarily shaped 色 / リール窓: 任意 Electrification prevention processing 帯電防止処理品
②	Emboss tape エンボステープ	10081220-__	PET	1	Electrification prevention processing 帯電防止処理品
③	Cover tape カバーテープ	KEC ____	Polyester ポリエステル	1	
④	Connector コネクタ	10081215-_____	See sheet 2	3000	

mat'l. code ---		surface ISO 1302 ✓		tolerance ISO 406 ISO 1101		projection MM		product family 599F FLEX 0.5		CODE JP	
ltr description		ecn no		dr		date		title		ASSEMBLY	
A RELEASED		J07-0469		Y.K		2007-9-19		0.5mm PITCH CONNECTOR FOR FPC		VHC Series	
B Change of product family		J07-0514		Y.K		2007-10-16		0.XX ±0.3		sheet 1 of 5 size	
C Add Halogen Free P/N		J08-0486		Y.K		2008-12-12		0.XXX ±0.3		10081215	
D Add New P/N -60115EHLF		ECNJ-20766		Y.K		2015-04-28		scale N/A		A3	
E REVISED		ECNJ-21520		Y.K		2015-07-27		Y.KAMEDA 2015-07-27		Product Customer Drawing	
								M.MINATO 2015-07-27		Rev.	
								N.SASAME 2015-07-27		E	
sheet index		revision sheet		E		E		E		E	
				1		2		3		4	

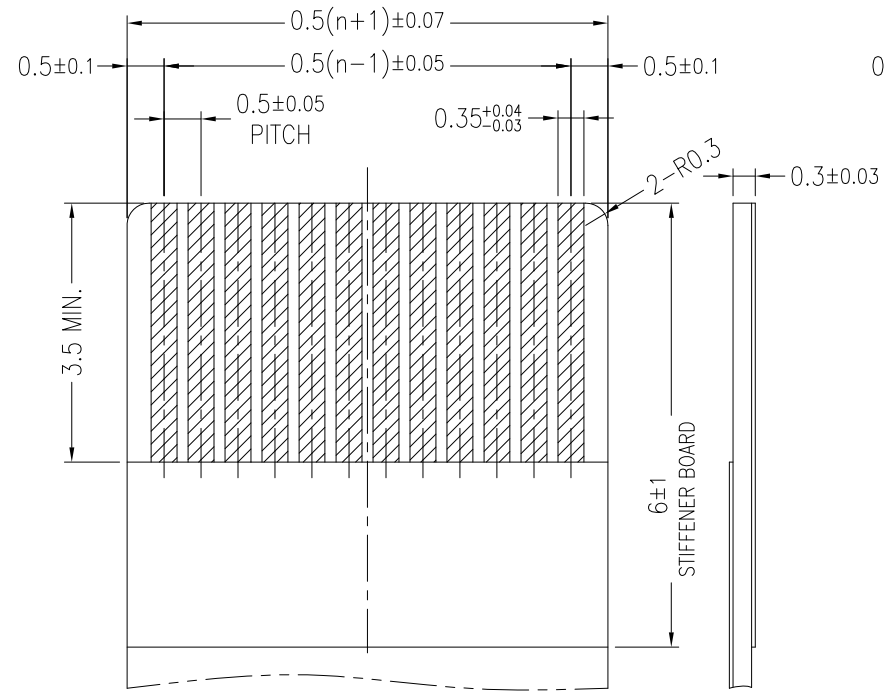
NOTE
 1. This article carries out the emboss tape package of the P/N10081215 series connector.
 2. The shape and dimension of this article are based on JIS C 0806.
 (Taping of electronic parts (Surface mounted device))
 3. The color and window of a plastic reel are optional.

注記
 1. 本品は P/N10081215シリーズをエンボステープ梱包したものである。
 2. 本品の形状及び寸法規定は JIS C 0806 (電子部品のテーピング (表面実装部品)) に準拠する。
 3. 本品の色及びリール窓は任意とする。

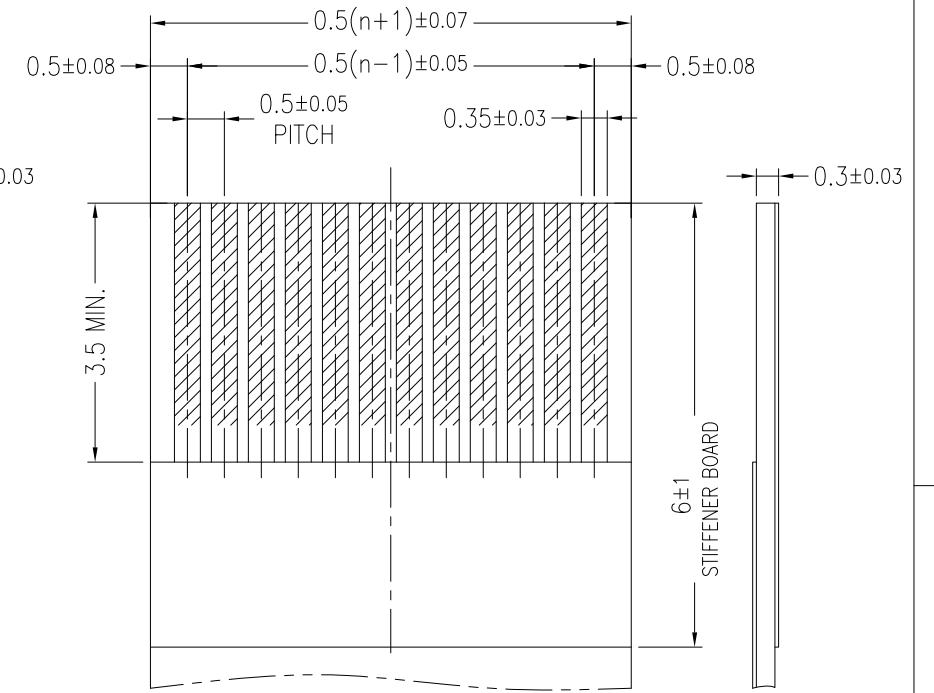
FCIconnect.com
 Copyright FCI

PRODUCT NO.

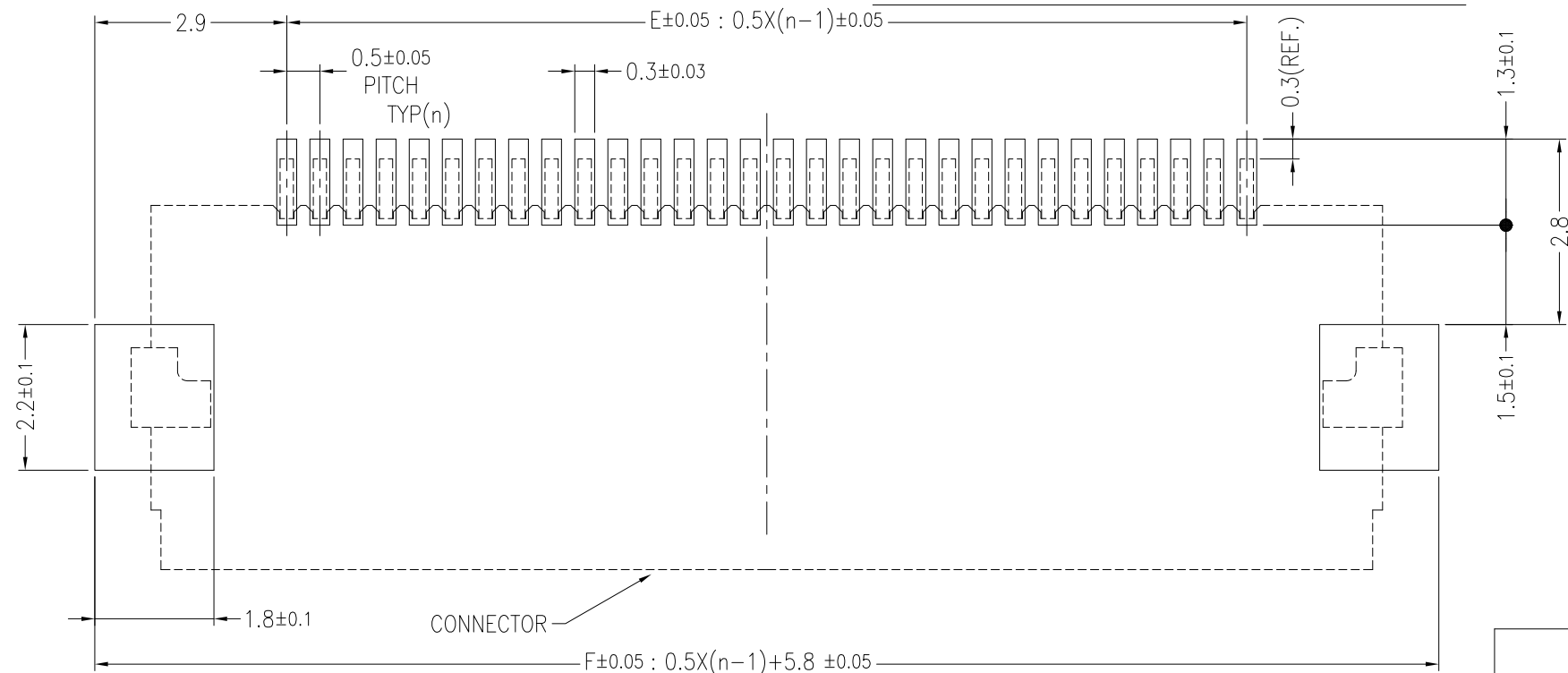
10081215-**1*LF



RECOMMENDED FPC CONFIGURATION



RECOMMENDED FFC CONFIGURATION



RECOMMENDED PC BOARD LAYOUT

10081215-601*LF	33.6	33.3	34.2	30.52	29.5	35.3
P/N	A	B	C	D	E	F

mat'l. code ---				surface ISO 1302 ✓		tolerance ISO 406 ISO 1101		projection MM		product family 599F FLEX 0.5		CODE JP
title ASSEMBLY				tolerances unless otherwise specified		angles linear		scale 10:1		title 0.5mm PITCH CONNECTOR FOR FPC VHC Series		
ltr	description	ecn no	dr	date	0°±2'		0.X ±0.2		dwg no		sheet 3 of 5 size	
A	RELEASED	J07-0469	Y.K	2007-9-19	0°±2'		0.XX ±0.2		10081215		A3	
B	Change of product family	J07-0514	Y.K	2007-10-16	0°±2'		0.XXX ±0.2		type		Product Customer Drawing	
C	Add Halogen Free P/N	J08-0486	Y.K	2008-12-12	appd		N.SASAME		Rev.		E	
D	Add New Sheet #4,5	ECNJ-20766	Y.K	2015-04-28	chr		M.MINATO		sheet index		revision sheet	
E	Only rev. up	ECNJ-21520	Y.K	2015-07-27	appd		N.SASAME		sheet index		revision sheet	

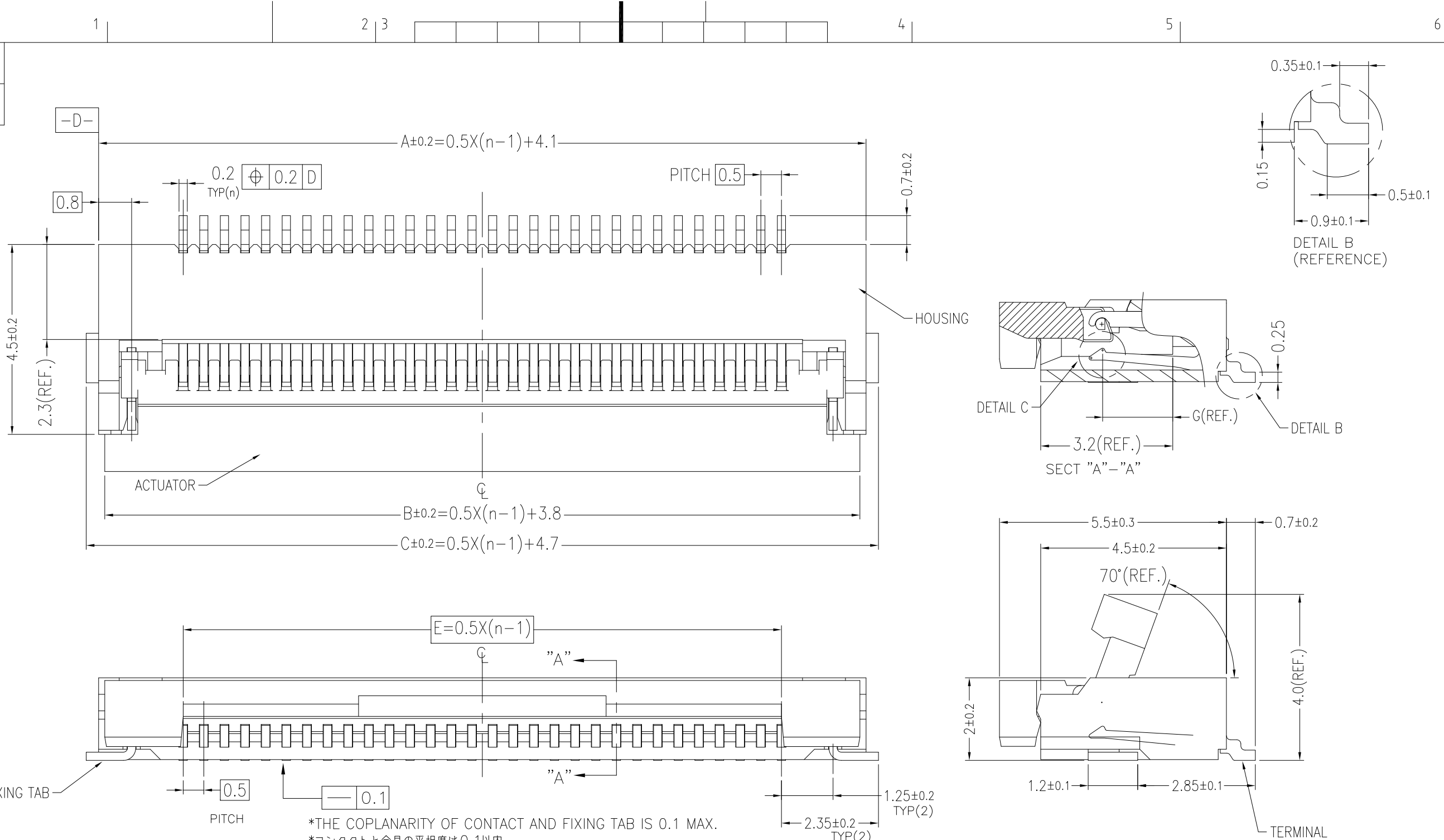
- NOTE
- 1) THICKNESS OF A METAL MASK: 0.1mm
 - 2) FPC / FFC
 - 1) FPCの補強板接着剤には熱硬化接着剤を使用し、接着方式は熱圧着とする。
 - 2) 打抜き方向は導体側から補強板側を推奨いたします。
 - 3) 導体部については軟銅箔35μm又は、50μmを推奨いたします。



Copyright FCI.

PRODUCT NO.

10081215-**11HLF



FIXING TAB

PITCH

0.1

*THE COPLANARITY OF CONTACT AND FIXING TAB IS 0.1 MAX.
*コンタクトと金具の平坦度は0.1以内

HOUSING

DETAIL C

SECT "A"-"A"

DETAIL B

TERMINAL

NOTE
 1.MATERIAL
 1)HOUSING:THERMOPLASTIC RESIN,UL94V-0, NATURAL
 2)ACTUATOR:THERMOPLASTIC RESIN,UL94V-0, BLACK
 3)CONTACT:COPPER ALLOY (t=0.20)
 4)FIXING TAB: COPPER ALLOY (t=0.20)
 2.FINISH
 1)CONTACT: ALL OVER Ni,Au FLASH.
 2)FIXING TAB: ALL OVER Ni , Sn PLATING 1.5~3.5μm
 3.CO-PLANARITY: 0.1 MAX.
 5.RoHS
 THIS PRODUCT MEETS EUROPEAN UNION DIRECTIVES AND OTHER COUNTRY REGULATIONSAS DESCRIBED IN GS-22-008
 6.SPECIFICATIONS
 PRODUCT SPECIFICATIONS : GS-12-493
 APPLICATION SPECIFICATIONS : GS-20-102
 PACKAGING SPECIFICATIONS : GS-14-1205

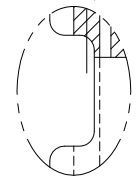
10081215-6011HLF	33.6	33.3	34.2	29.5	35.3
P/N	A	B	C	D	F

mat'l. code		surface		tolerance		projection		product family		CODE	
---		ISO 1302		ISO 406		MM		599F FLEX 0.5		JP	
litr description		ecn no		dr		date		tolerances unless otherwise specified		title	
D Add New P/N -6011HLF		ECNJ-20766		Y.K		2015-04-28		0.X ±0.2		ASSEMBLY	
E Only rev. up		ECNJ-21520		Y.K		2015-07-27		0.XX ±0.2		0.5mm PITCH CONNECTOR FOR FPC VHC Series	
								0.XXX ±0.2		scale 10:1	
				dr		Y.KAMEDA 2015-07-27		dwg no		sheet 4 of 5 size	
				enr		Y.KAMEDA 2015-07-27		10081215		A3	
				chr		M.MINATO 2015-07-27		type		Product Customer Drawing	
				appd		N.SASAME 2015-07-27				Rev.	
sheet index		revision sheet								E	

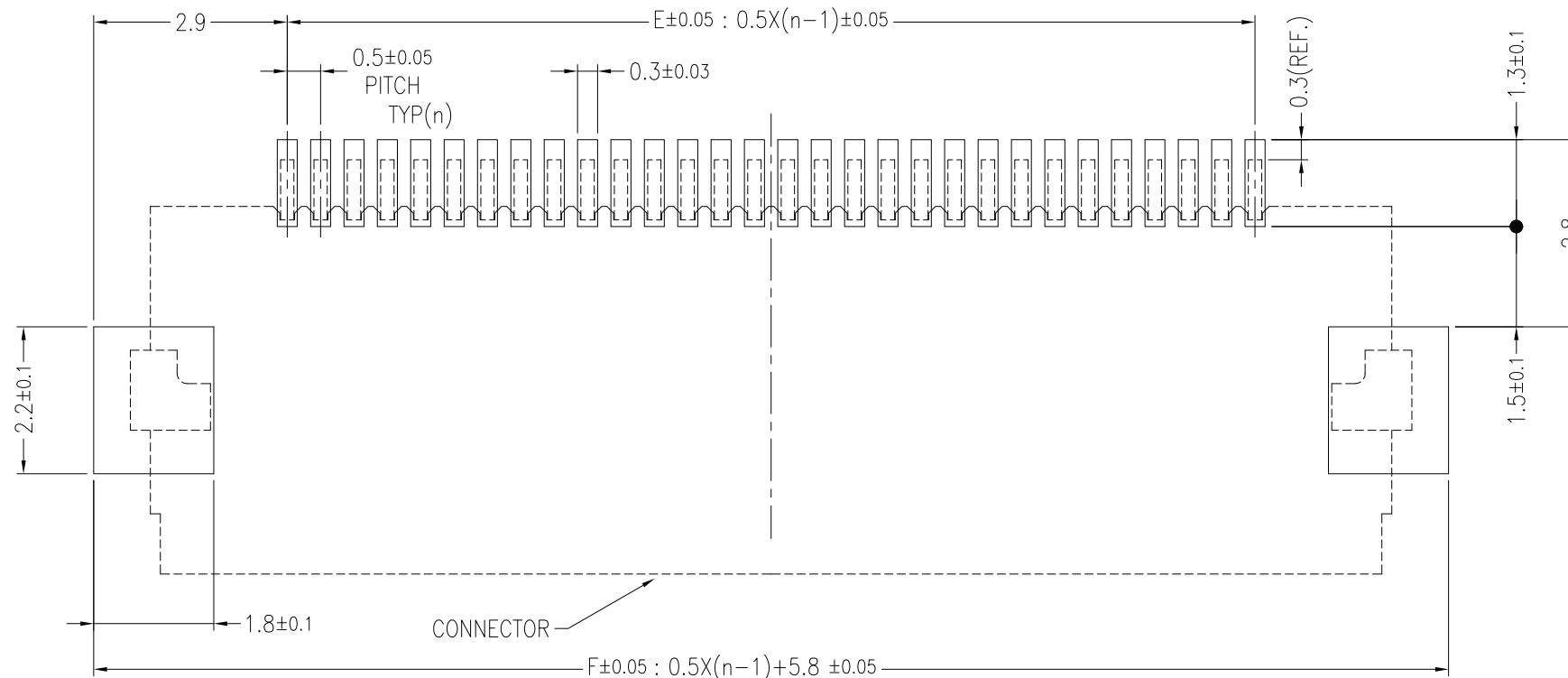
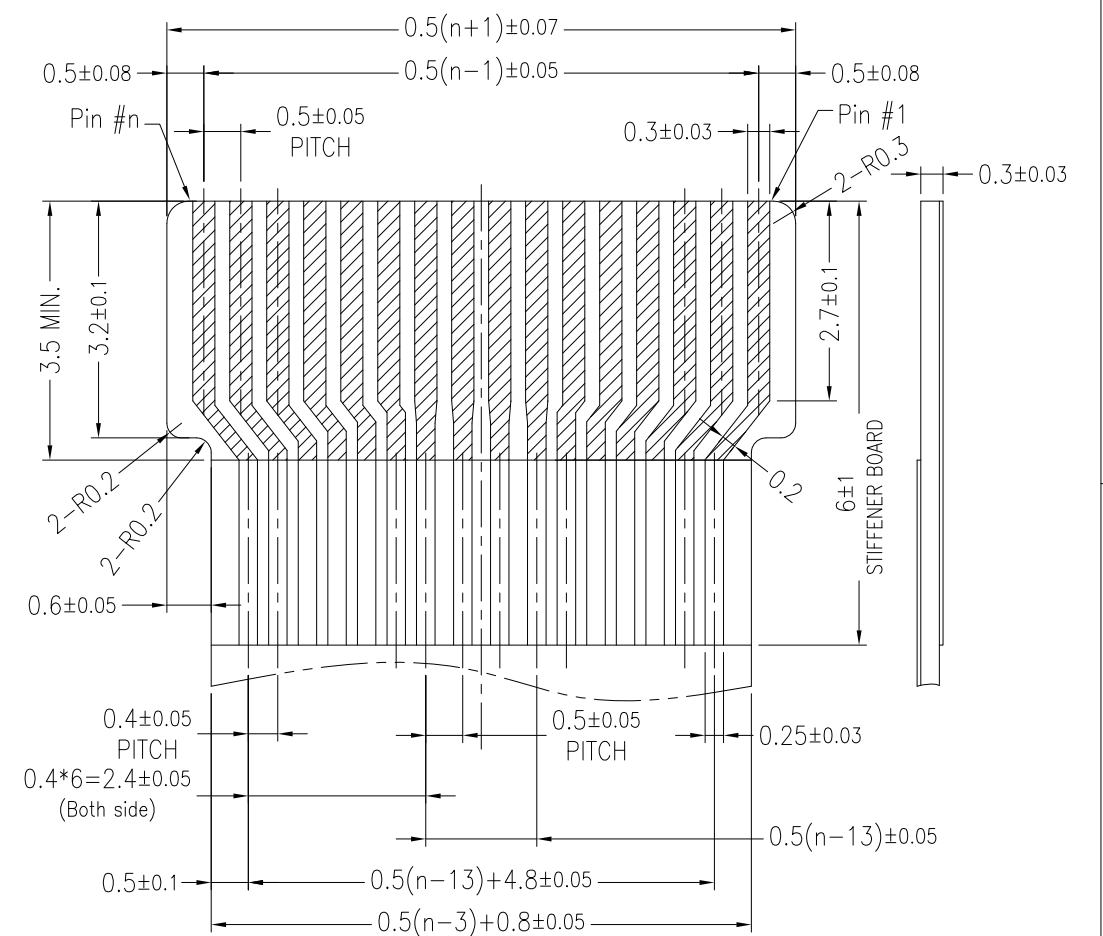
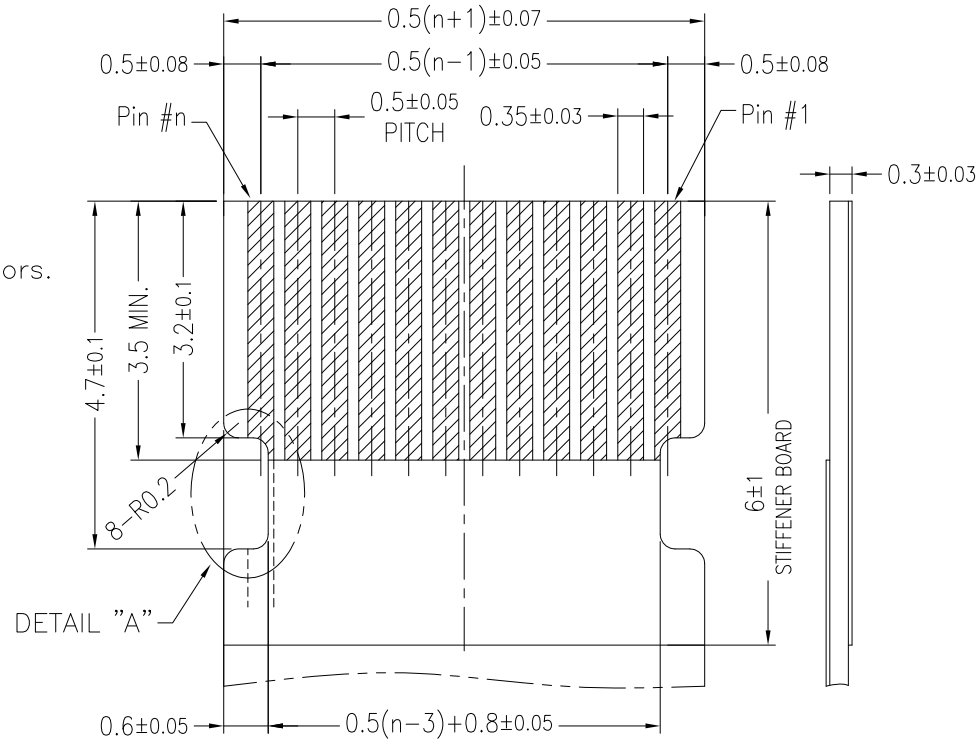
PRODUCT NO.

10081215-**11HLF

Cut through both sides conductors.



DETAIL "A"



NOTE

1. THICKNESS OF A METAL MASK: 0.1mm
2. FPC / FFC
ADHESIVE METHOD OF SUPPORTING TAPE SHALL BE HEAT CRIMPING METHOD AND THERMOSETTING ADHESIVE MATERIAL SHALL BE USED.
3. ACCORDING TO THE KIND OF CABLE TO BE USED, SINCE OUTSIDE TWO CONDUCTORS CANNOT BE USED, THE LINE OF SIGNAL DECREASES.

注記

1. メタルマスク厚 : 0.1mm
2. FPC / FFC
FPCの補強板接着剤には熱硬化接着剤を使用し、接着方式は熱圧着とする。
3. 使用するケーブルの種類によっては、外側の2つの導体が使用不可能になるため信号ラインが減少します。

10081215-6011HLF	33.6	33.3	34.2	29.5	35.3
P/N	A	B	C	D	F

mat'l. code		surface		tolerance		projection		product family		CODE	
---		ISO 1302		ISO 406		MM		599F FLEX 0.5		JP	
ltr		description		ecn no		dr		date		title	
D		Add New P/N -6011HLF		ECNJ-20766		Y.K		2015-04-28		ASSEMBLY	
E		Only rev. up		ECNJ-21520		Y.K		2015-07-27		0.5mm PITCH CONNECTOR FOR FPC VHC Series	
angles		linear		0.X		±0.2		scale 10:1		dwg no	
0°±2°				0.XX		±0.2		FCJ		sheet 5 of 5 size	
dr		Y.KAMEDA		2015-07-27						10081215	
enr		Y.KAMEDA		2015-07-27						A3	
chr		M.MINATO		2015-07-27						type	
appd		N.SASAME		2015-07-27						Product Customer Drawing	
sheet index		revision sheet								Rev. E	