

2

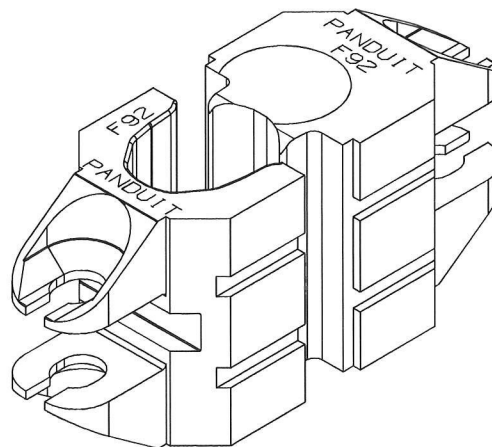
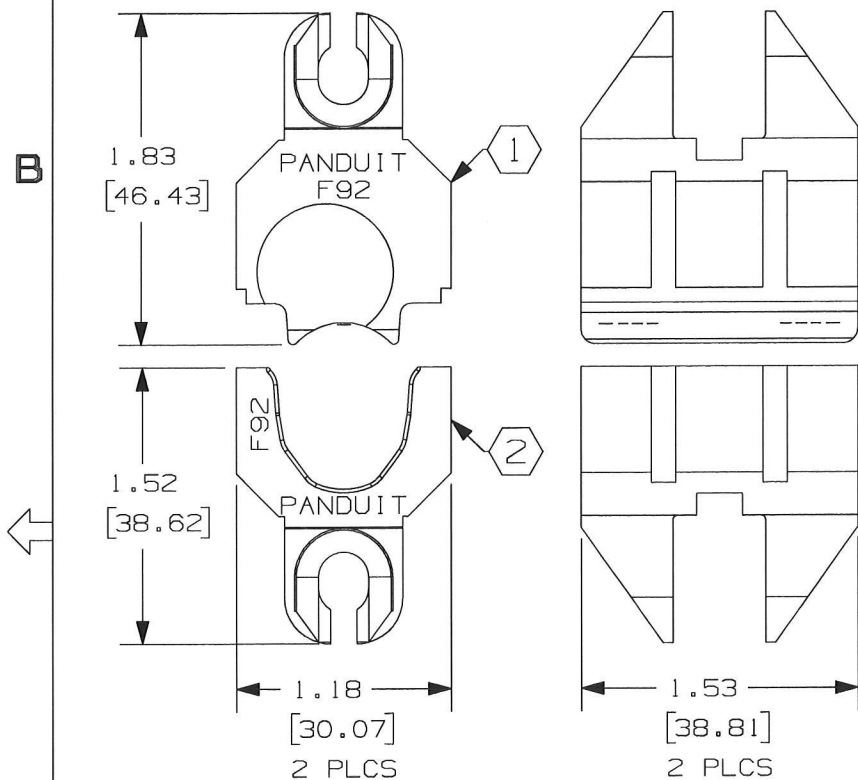
1

THIS COPY IS PROVIDED ON A RESTRICTED BASIS AND IS NOT TO BE USED IN ANY WAY DETRIMENTAL TO THE INTERESTS OF PANDUIT CORP.

ID	PART NUMBER	DESCRIPTION
1	CD-2001-F92	DIE, CRIMP - TP27018B01
2		DIE, F - TP27019B01

NOTES, UNLESS OTHERWISE SPECIFIED:

1. DIMENSIONS IN BRACKETS ARE IN METRIC.
2. RECOMMENDED TOOL: CT-3001
3. COMPATIBLE TOOL: CT-2001
4. WIRE SIZE: 300 MCM
5. CRIMPS: F92 FERRULES - ALL SIZES



01	04/12/13	SILD	ALP	RELEASE				4545				
REV	DATE	BY	CHK	APR	DESCRIPTION	ECN	DRAWN BY	DATE	CHK	SCALE	DRAWING NUMBER	SIZE

TITLE											
CD-2001-F92 CUSTOMER DRAWING											
CUSTOMER DRAWING											
ITEM REVISION NAME											
R27010AA/01											
DATASET FILE NAME											
R27010AA_DS_TP27010A01/01A											
UNLESS OTHERWISE SPECIFIED, DIMENSIONAL TOLERANCES ARE: IN [mm]											
.x ± .1 [2.54] .xxx ± .005 [.127]											
.xx ± .01 [.25] ANGLES ± 5°											
MATERIAL:											
4140 STEEL / RC 32-35											
DRAWING NUMBER:											
TP27010A01											
THIRD ANGLE PROJECTION											
DRAWN BY: SILD DATE: 04/12/13 CHK: ALP SCALE: 1:1											
SHT 1 OF 1											
SIZE: A											

2

1