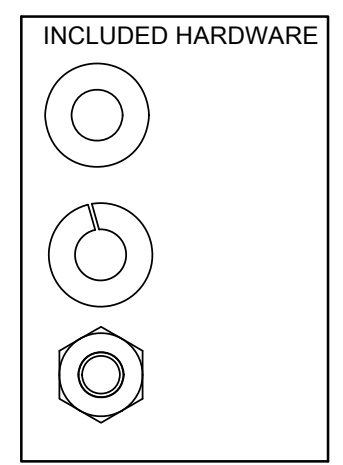
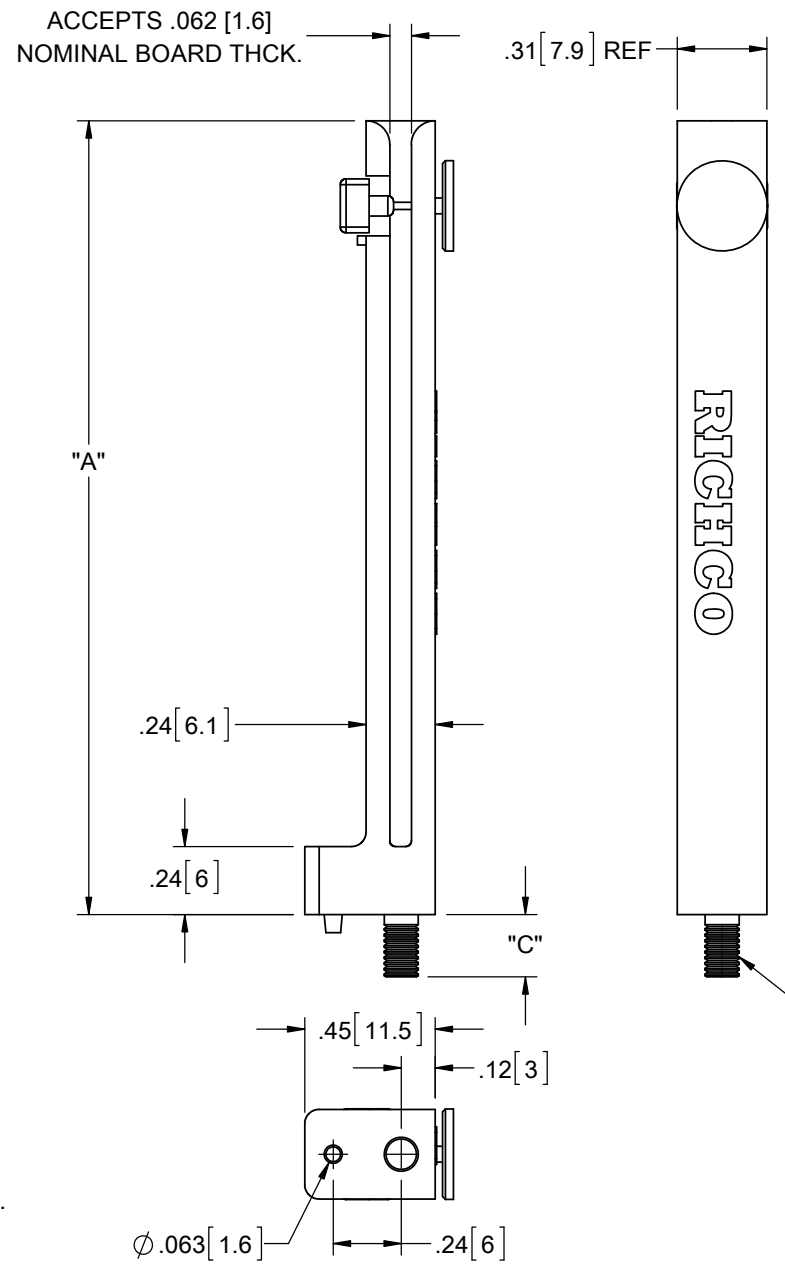
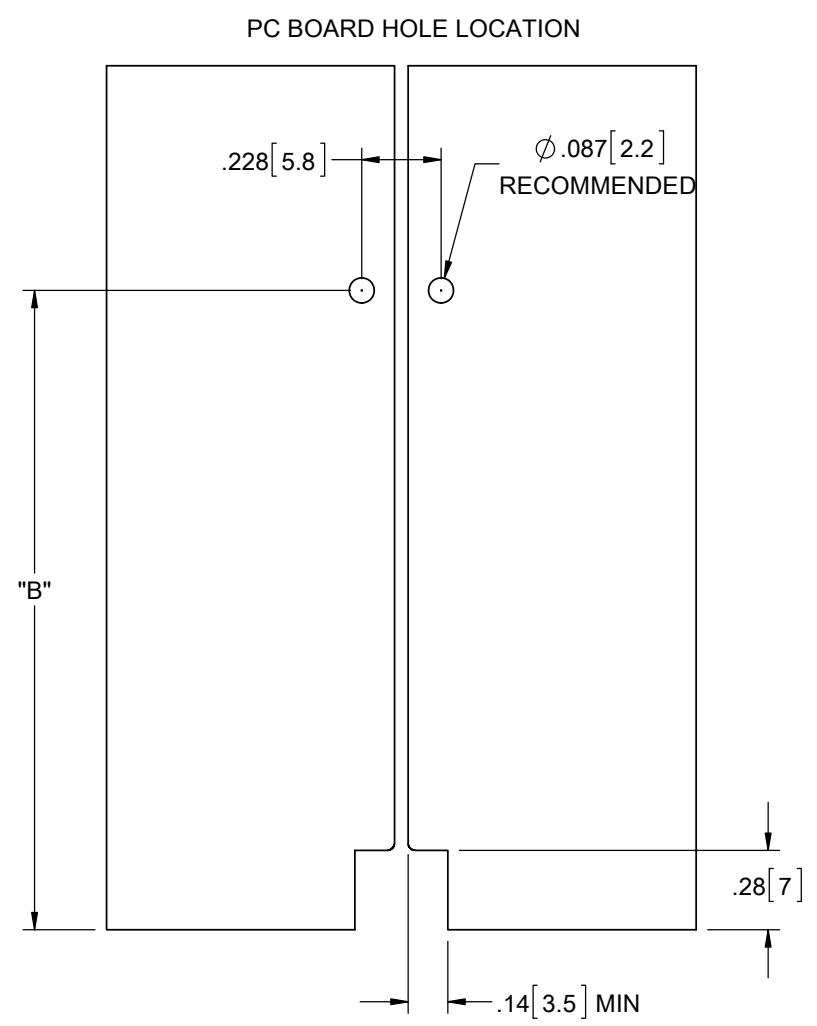
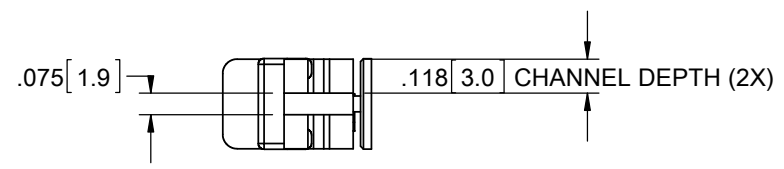
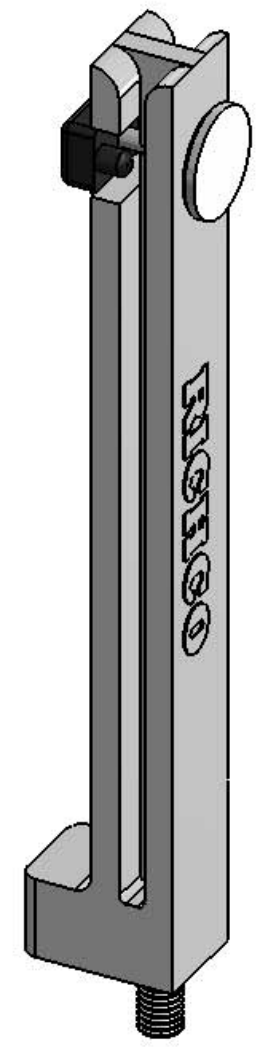


PART NO.	"A"	"B"	"C"
VMCG-70-MPBK-K	2.76 [70]	2.44 [62.5]	.22 [5.5]
VMCG-100-MPBK-K	3.94 [100]	3.62 [92]	.35 [9]



M3 X 0.5 THREADED METAL INSERT



- NOTES:
- STANDARD MATERIAL: NYLON 6, GLASS FILLED (RMS-38). COLOR: GRAY.
ALTERNATE MATERIAL: NYLON 6 UL94 V-0 (RMS-371). AVAILABLE BY SPECIAL ORDER.
TO ORDER USE P/N: VMCG-XX-MPBK-FR-K.COLOR: GRAY.
 - COMPONENTS:
 - LOCKING BUTTON: HDPE (RMS-284)
 - THREADED INSERT: BRASS (RMS-231)
 - WASHER: STAINLESS STEEL (RMS-228)
 - HEX NUT: STAINLESS STEEL (RMS-228)

REV.	DESCRIPTION	ENGR.	DATE
J	REDRAWN, SEE CO 200749	SK	01/18/2012
-	SEE ENGINEERING FOR REV A-1	--	-----

TITLE: VERTICAL MOUNT CARD GUIDE, TYPE 2				DWG IN IN [MM]		FINAL	
CREATED USING SOLIDWORKS	FILE #: VMCG-2	DWN: SK	APP: SK	PART #			
TOLERANCES UNLESS NOTED .XX=±.010 .XXX=±.005 FRAC.=±1/64 ANG.=±1°	SHEET: 1 OF 1	SHEET SIZE: B	DT: 01/17/2012	CHKD: DZ	SEE TABLE		PRINT TYPE
RE: RICHCO, INC.	RICHCO, INC. WWW.RICHCO-INC.COM						CA