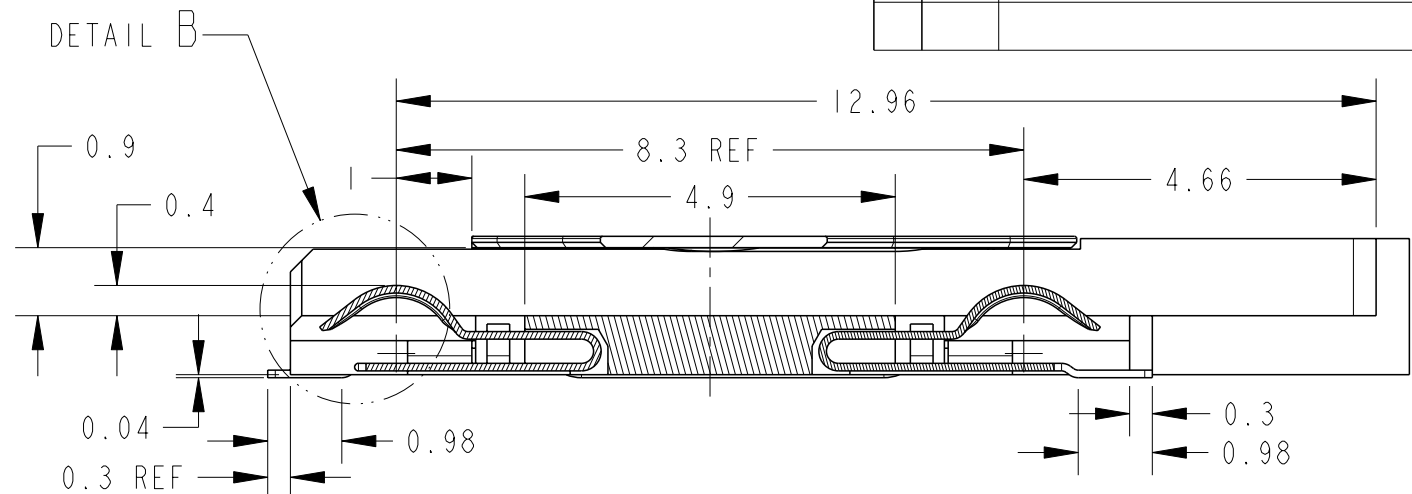
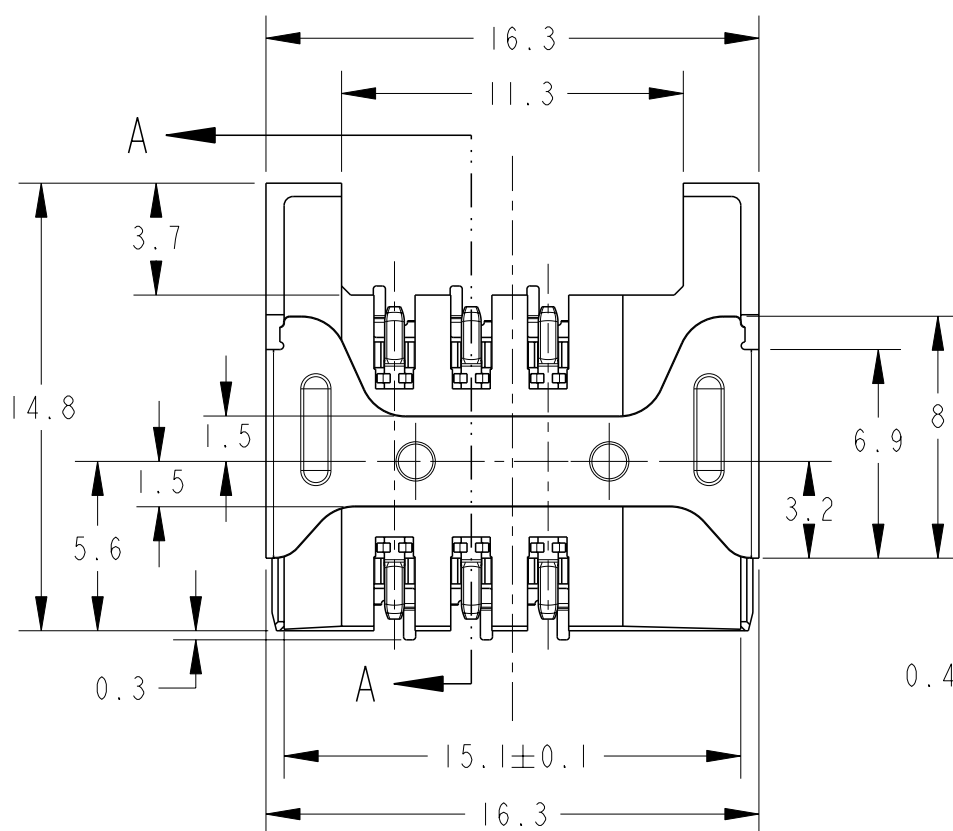
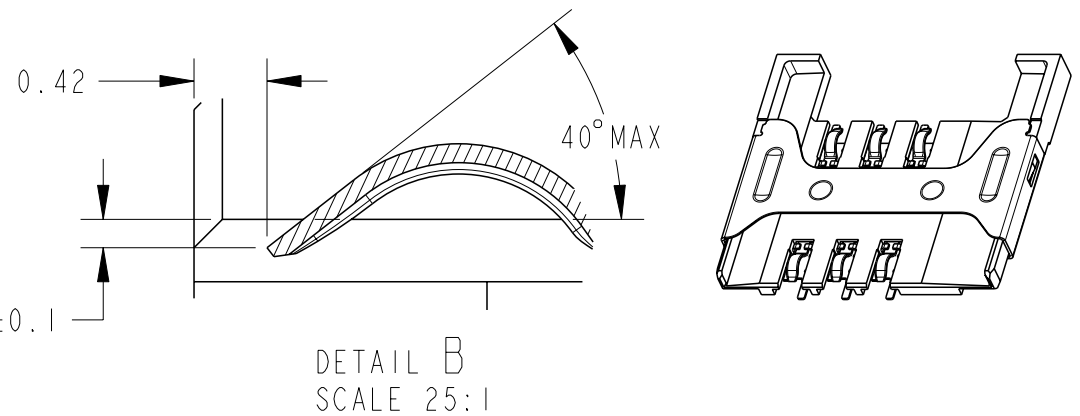


THIS DRAWING IS UNPUBLISHED. RELEASED FOR PUBLICATION 20
 © COPYRIGHT 20 BY Tyco Electronics Japan G.K. ALL RIGHTS RESERVED.

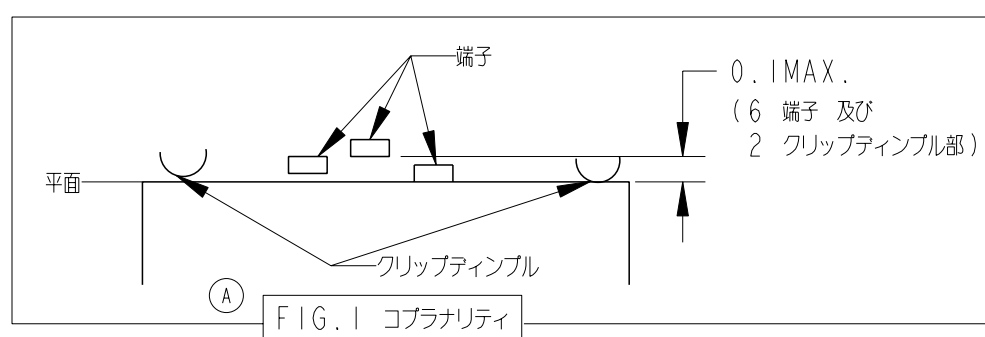
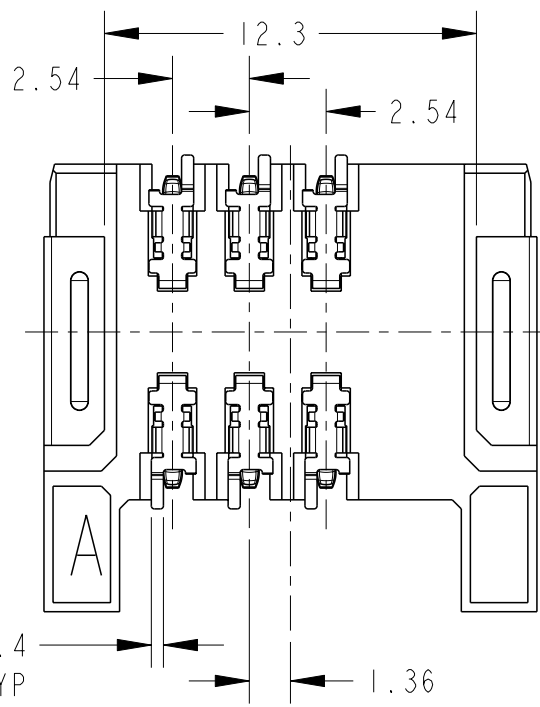
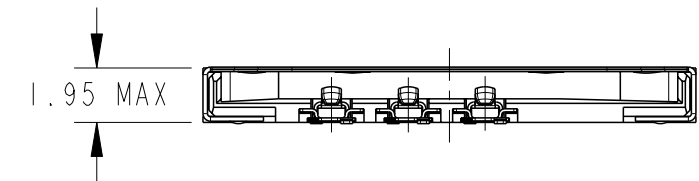
LOC	DIST	REVISIONS 変更			
P	LTR	DESCRIPTION	DATE	DWN	APVD
J	-	REVISED AS PER ECR-12-016199	13SEP2012	C.O	K.K



- | ; 本図
 - | ; AS SHOWN
 SECT A-A
 SCALE 10:1



- CONTACT: COPPER ALLOY
 ALL OVER Ni: 1.27μm MIN.
 CONTACT AREA PdNi: 1.0μm MIN. Au: 0.2μm MIN.
 SOLDERING AREA Au: 0.05μm MIN.
 - CLIP: SUS
 ALL OVER Ni: 1.3μm MIN.
 Tin: 1μm MIN.
 - HOUSING: THERMOPLASTIC
- ① 3. COPLANARITY; 0.1mm以下 (FIG.1 参照)



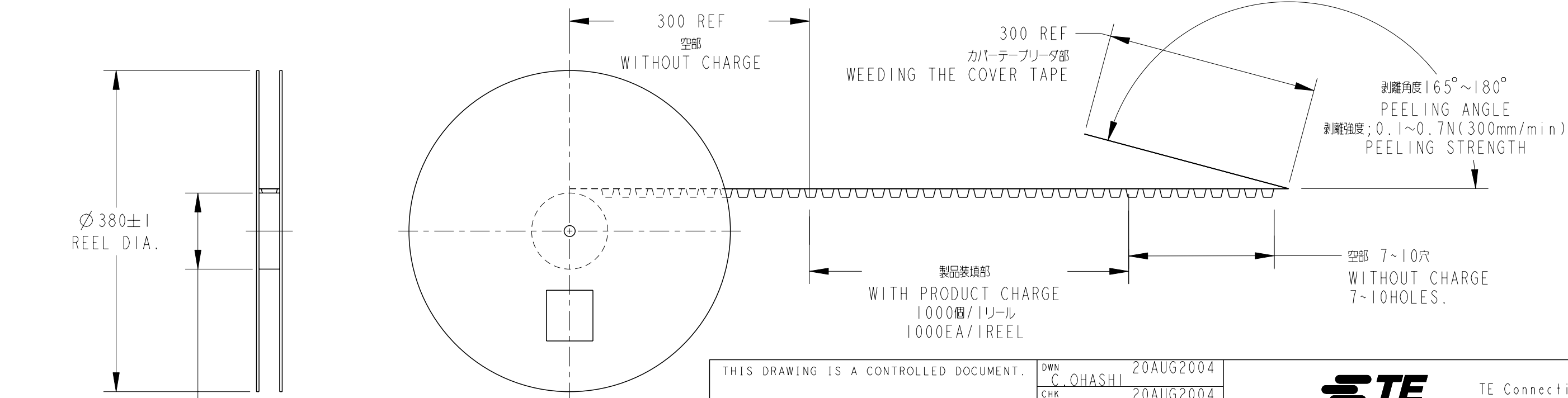
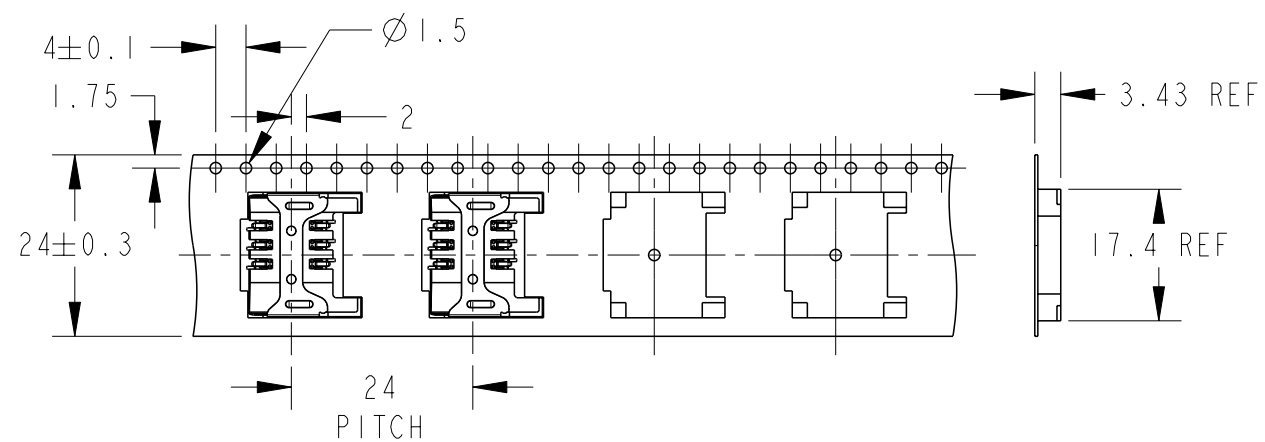
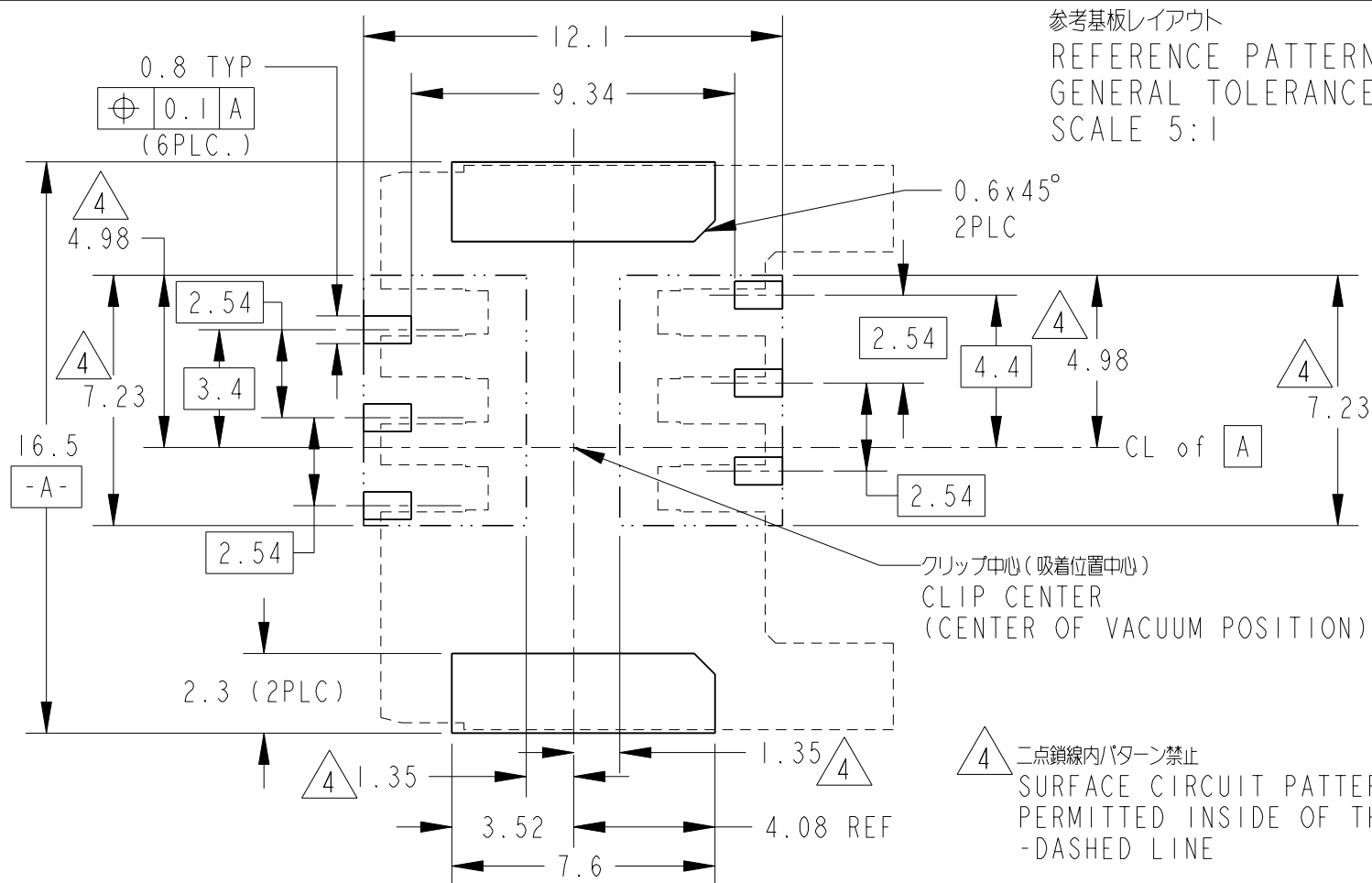
- CONTACT: COPPER ALLOY
 ALL OVER Ni: 1.27μm MIN.
 CONTACT AREA PdNi: 1.0μm MIN. Au: 0.2μm MIN.
 SOLDERING AREA Au: 0.05μm MIN.
 - CLIP: SUS
 ALL OVER Ni: 1.3μm MIN.
 Tin: 1μm MIN.
 - HOUSING: THERMOPLASTIC
- ① 3. COPLANARITY; 0.1mm以下 (SEE FIG.1)

THIS DRAWING IS A CONTROLLED DOCUMENT.		DWN C. OHASHI 20AUG2004	TE Connectivity NAME SUPER LOW PROFILE SIM HI.95	
DIMENSIONS: 単位: 耗 mm		CHK T. KIMURA 20AUG2004		
TOLERANCES UNLESS OTHERWISE SPECIFIED: 一般公差 ±0.15		APVD K. IKEGAMI 20AUG2004	SIZE A3	
0-PLC ±		PRODUCT SPEC 製品規格 108-5998	CAGE CODE 00779	DRAWING NO C=1747314
1-PLC ±0.5		APPLICATION SPEC 取付適用規格	RESTRICTED TO	
2-PLC ±0.13		WEIGHT (計算値) 0.36g	-	
3-PLC ±0.013		CUSTOMER DRAWING	SCALE 尺度 4:1	SHEET 1 OF 2
4-PLC ±0.0001			REV B1	
ANGLES ±				
FINISH 仕上				

THIS DRAWING IS UNPUBLISHED. RELEASED FOR PUBLICATION 20
 © COPYRIGHT 20 BY Tyco Electronics Japan G.K. ALL RIGHTS RESERVED.

LOC	DIST	REVISIONS			
P	LTR	DESCRIPTION	DATE	DWN	APVD
J	-	SEE SHEET 1	-	-	-

参考基板レイアウト
 REFERENCE PATTERN LAYOUT
 GENERAL TOLERANCE; ±0.05
 SCALE 5:1



THIS DRAWING IS A CONTROLLED DOCUMENT.		DWN C. OHASHI 20AUG2004	TE Connectivity		
DIMENSIONS: mm		CHK T. KIMURA 20AUG2004			
TOLERANCES UNLESS OTHERWISE SPECIFIED:		APVD K. IKEGAMI 20AUG2004	NAME SUPER LOW PROFILE SIM HI.95		
0 PLC ±- 1 PLC ±0.5 2 PLC ±0.13 3 PLC ±0.013 4 PLC ±0.0001 ANGLES ±-		PRODUCT SPEC 108-5998	SIZE A3	CAGE CODE 00779	DRAWING NO C-1747314
MATERIAL		FINISH	RESTRICTED TO	-	
		WEIGHT 0.36g	SCALE 4:1	SHEET 2	OF 2
		CUSTOMER DRAWING	REV B1		