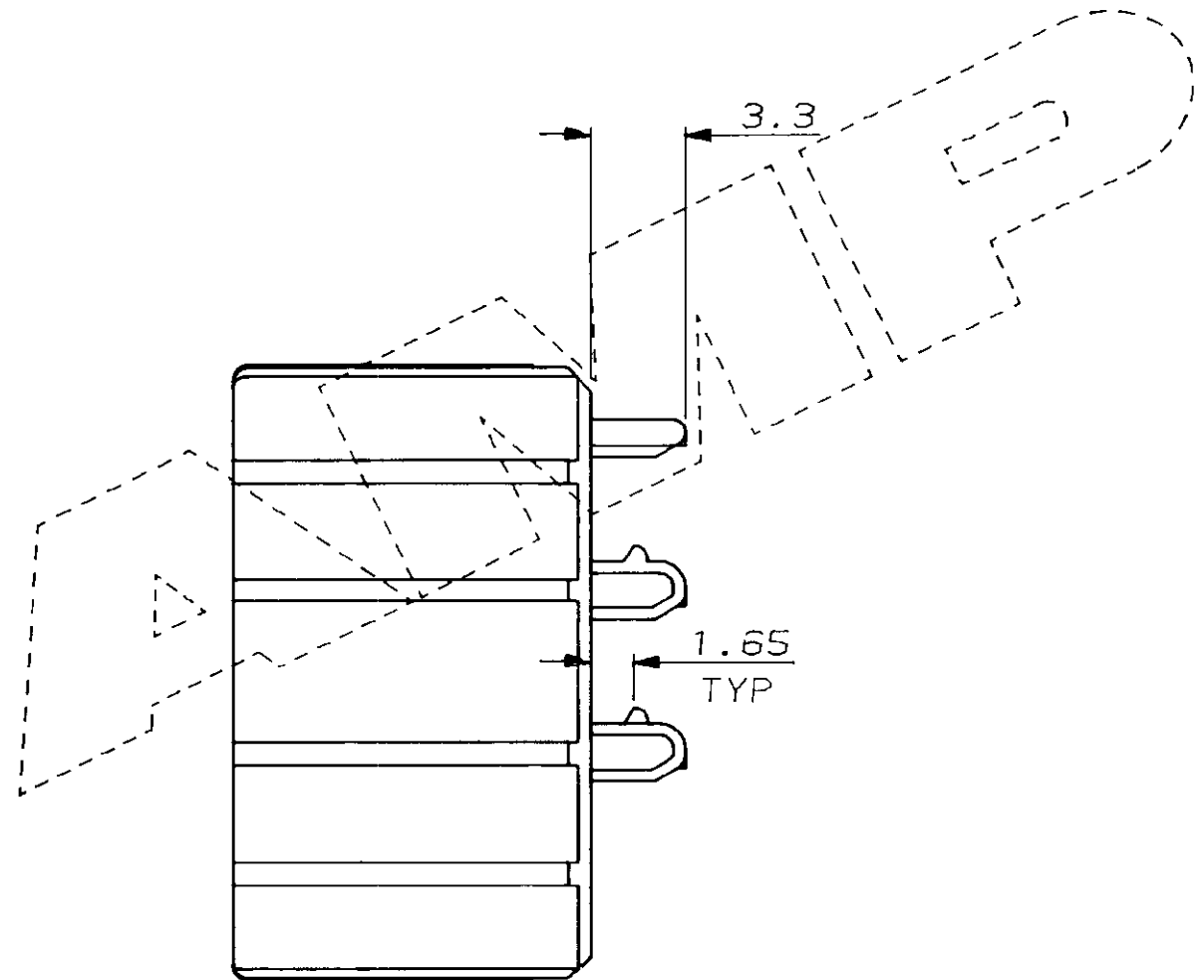
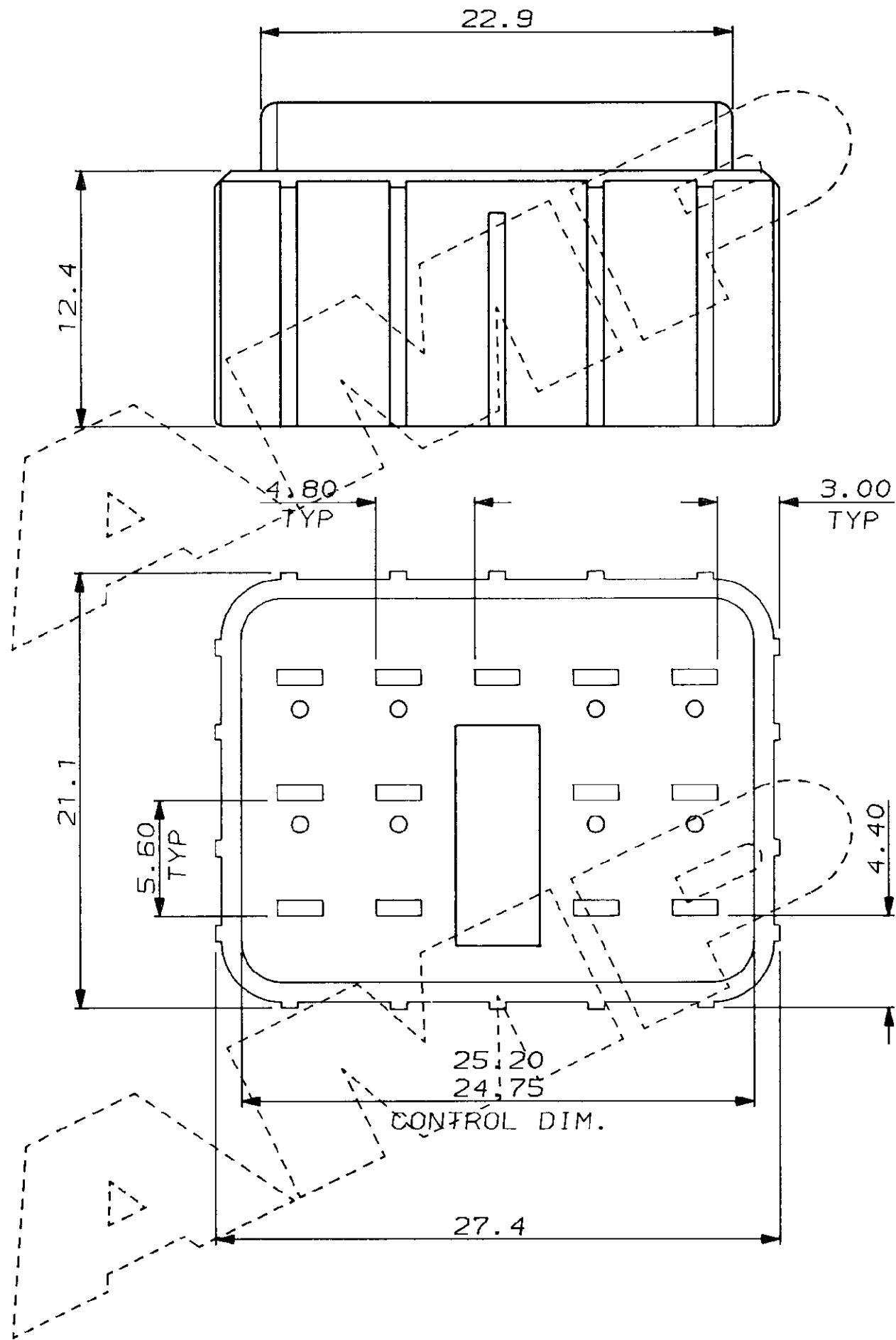
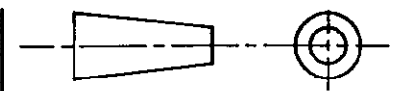


C.A.D. FILE CODE
S.C344261.C

DO NOT SCALE | DIMENSIONS IN MM.



YELLOW		NYLON 6.6		344261-1	
FINISH		MATERIAL		PART NUMBER	
CUSTOMER DWG FOR REFERENCE ONLY			© COPYRIGHT 1987 BY AMP OF GREAT BRITAIN LTD. ALL INTERNATIONAL RIGHTS RESERVED. ALL PRODUCTS MAY BE COVERED BY BRITISH AND FOREIGN PATENTS AND/OR PATENTS PENDING.		RELEASED FOR PUBLICATION 06 NOV 1987
-	-	-	-	TOLERANCES UNLESS OTHERWISE STATED ; DEC ± 0.5 ANGLES ± 1°	DR. R. S. 6.11.87
-	-	-	-		CH. R. J. S. APP. B. J.
-	-	-	-		AMP TERMINAL HOUSE of Great Britain Ltd. STANMORE MIDD.
C	CON. DIM. WAS 24.90/24.75.	C5359	2.10.89	NAME A/BACKOUT FOR 13 WAY TAB HSG. ECONOSEAL 3 LOW CURRENT	
B	UPDATED	C5241	15.5.89	SCALE	LOC
A	UPDATED	C5014	2.8.89	SIZE	DWG. No.
O	REL. FOR PROD.	C4898	18.3.89	4/1	E A3
REV	APPROVED	ECN	DATE	C344261	REV SHEET
				C	1/1