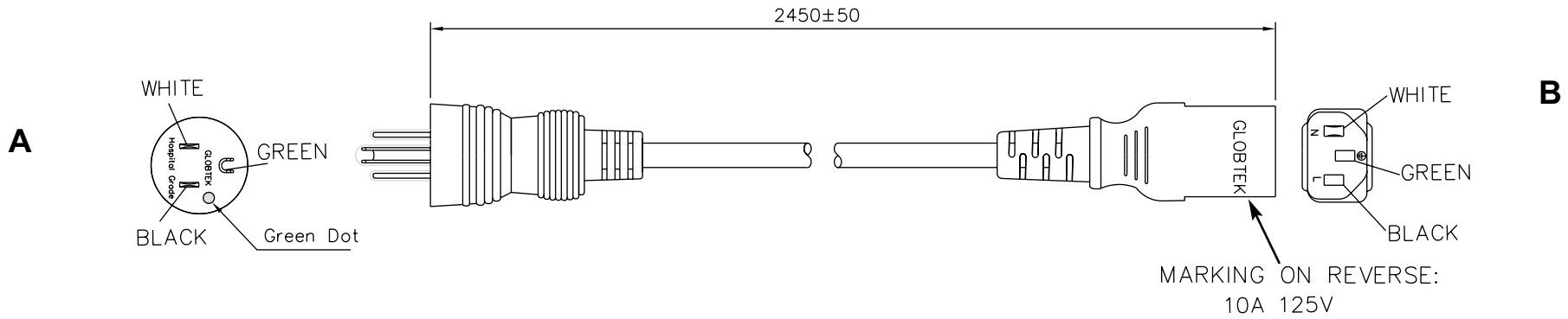


**PROPRIETARY INFORMATION:**  
 PROPRIETARY OF GLOBTEK, INC. ANY REPRODUCTION, DISCLOSURE OR USE OF THIS DRAWING, IN WHOLE OR IN PART, IS HEREBY PROHIBITED EXCEPT AS SPECIFIED IN WRITING BY GLOBTEK, INC.

REVISION			
REV	DESCRIPTION	DATE	APPROVED
A	INITIAL RELEASE, RFS. 13690, EM	05/21/08	HM
B	UPDATE TEMPERATURE RATING, RFS. 19816, JN	10/26/10	HM

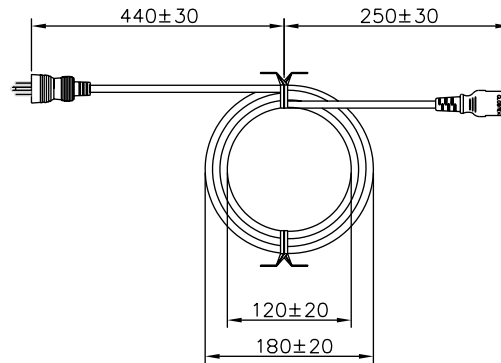


**GENERAL SPECIFICATIONS:**

RATING: 10A / 125V AC  
 CABLE TYPE / SIZE: SJT, 18 AWG X 3C, BLACK  
 TEMPERATURE RATING: 105° C  
 CONDUCTOR COLORS: BLACK / WHITE / GREEN  
 CABLE JACKET COLOR: BLACK  
 OVERALL LENGTH (L): 2450 ± 50 mm  
 CABLE OUTER DIAMETER: 7.8 ± 0.1 mm  
 END 'A' TERMINATION: MEDICAL GRADE NEMA 5-15P, BLACK  
 END 'B' TERMINATION: IEC 320 / C13, BLACK  
 APPROVALS PLUG: UL, CSA or cUL  
 APPROVALS CABLE: UL, CSA or cUL

**PACKING:**

HANKING



**NOTES:**

1. CORD, PLUG AND CONNECTOR MUST BE MARKED WITH APPROVAL SYMBOLS OR FILE NUMBER(S).



DASH NO.	PART NO	REV.	DESCRIPTION	NOTES
<b>TABULATION BLOCK</b>				
		<b>TOLERANCES:</b> DECIMALS ANGULAR .xx +/- 0.1 +/- 1° .xxx +/- .005		<b>GlobTek, Inc.</b> 186 Veterans Dr. Northvale, NJ 07647 Tel. 201-784-1000 Fax 201.784.0111 <b>www.globtek.com</b>
		<b>MILLIMETERS ANGULAR</b> .xx +/- 0.3 +/- 1° .xxx +/- .013		
INIT.BY: DMR		DATE: 04/13/04		DWG TITLE: MEDICAL GRADE NORTH AMERICAN DETACHABLE CORDSET  REV. B
DRAWN: NF		DATE: 04/13/04		
APRVD: DMR		DATE: 04/13/04		
		SCALE: NONE		PART NO: <b>1191068F0701(R)</b>  SHEET 1 / 1

Foot Note:  
 Globtek Inc. will not be liable for the safety and performance of these power product if unauthorized access and repair occurs. End user should consult the applicable UL, CSA or EN Standards for proper installation instruction.

Limitation of Use:  
 Globtek product are not authorized for use as mission critical components in life support, hazardous environment, nuclear or aircraft applications without prior written approval from the CEO of Globtek Inc.

Contents of this document are subject to change without prior notice